



T4 CONNECTOR

PRODUCT OVERVIEW

T4 connectors use high quality materials that guarantee long-term reliability. Lower contact resistance and higher current transfer capability ensure high product efficiency. T4 connectors have IP68 water-proof rating and can be used in a wide operating temperature range from -40 °C to 90 °C.

CERTIFICATIONS

UL 6703: CSA
IEC 62852: TÜV-SÜD
UKCA, RoHS, REACH, NEC, PAHS and Halogen-free compliant (no locking sleeve required)



Male connector (-)



Female connector (+)



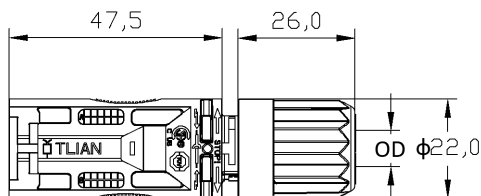
ELECTRICAL DATA

Rated Voltage	IEC 1500 V _{DC} & UL1500 V _{DC} IEC 1000 V _{DC} & UL1500 V _{DC}
Rated Current	41A (4 mm ²) / 40A (12 AWG) 48A (4 mm ²) / 40A (12 AWG) 50A (6 mm ²) / 55A (10 AWG) 54A (6 mm ²) / 55A (10 AWG)
Contact Resistance	≤ 0.25 mΩ
Pollution Degree	Class II
Protection Class	Class II
Protection Degree	IP68 (when mated)
Fire Resistance	UL 94-V0
Temperature Range	- 40 °C ~ + 90 °C
Rated Impulse Voltage	16 kV

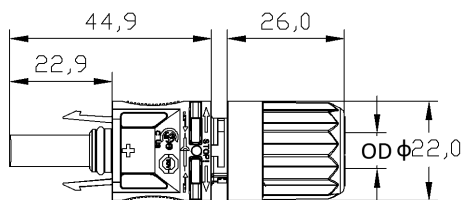
MECHANICAL DATA

Conductor Cross Section	IEC: 4 mm ² / 6mm ² ; UL:10AWG/12AWG
Connector System	Φ 4.0 mm
Contact Material	Copper, Tin-plated
Type of Termination	Crimping
Locking System (UL)	Locking type

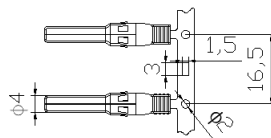
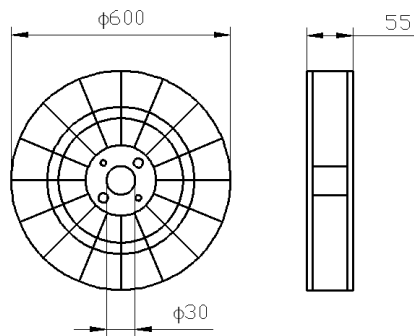
ENGINEERING DRAWING (mm)



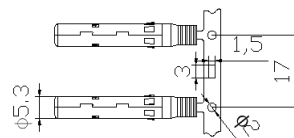
Male connector (-)



Female connector (+)



Male pin contact (-)



Female socket contact (+)

T4 ORDER INFORMATION

Model	Reference No.	Rated Voltage	Rated Current	Φ Cable OD	Cable Specification	Sealing Gasket	Packing Units
T4	16001671	IEC 1000 V DC	IEC62852 48A/UL6703 40A	4.3-6.6mm	4mm ² /12AWG;6mm ² /10AWG	Standard	100 pairs or 500 pairs
T4	16001673	UL 1500 V DC	IEC62852 54A/UL6703 55A	6.7-7.5mm	6mm ² /10AWG	Large	
T4	16001672	IEC 1500 V DC	IEC62852 41A/UL6703 40A	4.3-6.6mm	4mm ² /12AWG;6mm ² /10AWG	Standard	
T4	16001674	UL 1500 V DC	IEC62852 50A/UL6703 55A	6.7-7.5mm	6mm ² /10AWG	Large	

ACCESSORIES ORDER INFORMATION

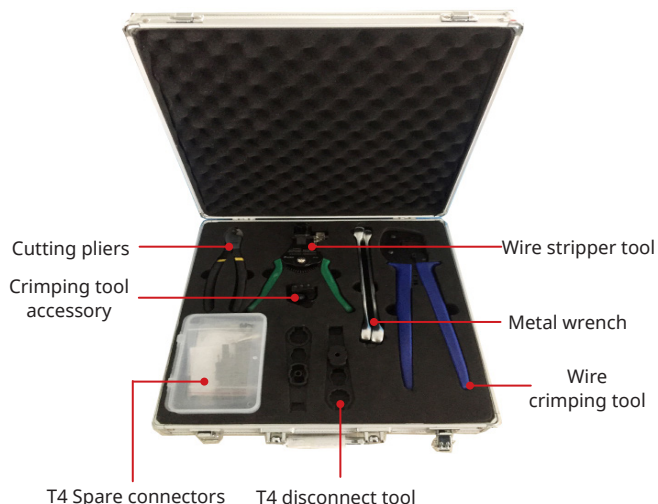
Product	Description	Packing Units
T4-DT	T4 Disconnect Tool	80 units or 400 units
T4-EC	T4 Connector End Cap	1000 or 5000 pairs
T4-MPC	T4 Male Pin Contact (-) In a Roll	4 Rolls (10000 units)
T4-FSC	T4 Female Socket Contact (+) In a Roll	4 Rolls (10000 units)
T4-MFC	T4 Male and Female Contact (-)/(+)	2000 or 10000 pairs
T4-TOOLKIT	T4 Field Installation Toolkit	1 unit

T4-TOOLKIT COMPONENTS

Wire stripper tool	1 piece
Wire crimping tool	1 piece
Cutting pliers	1 piece
T4 disconnect tool	2 pieces
Metal wrench	2 pieces
Crimping tool accessory	1 piece
T4 Spare connectors	2 pairs
Installation manual	1 copy

T4-TOOLKIT SIZE

Size	360×345×75 mm (14.2×13.6×2.9 in)
Weight	3kg (6.6 lbs)



T4 Spare connectors T4 disconnect tool

CAUTION:

1. The exposure to or direct contact with chemicals or oils of T4 products may cause corrosion, degradation of performance, or cracking of the product, thus such exposure or direct contact should be strictly prohibited during the process of product manufacturing, transportation, installation and application. The chemicals that may come into contact with or be used in the process above. It is the user's responsibility to validate that such chemical will not affect the performance of T4 products.
2. Any T4 family products can be intermated with each other.
3. Interconnection of different connector types/brands with T4 is not allowed.
4. Recycling and all other types of comparable disassembly of the above mentioned products have to be performed by a qualified waste management company, in compliance with national and local waste management regulations.

The specifications and features described in this datasheet may deviate slightly and are not guaranteed. Due to on-going innovation, research and product enhancement, Tlian reserves the right to make any adjustment to the information described herein at any time without notice. Please always obtain the most recent version of the datasheet which shall be duly incorporated into the binding contract made by the parties governing all transactions related to the purchase and sale of the products described herein.

The connector must be isolated and disconnected from the power supply during the assembly or disassembly process. Do not disconnect under load. The use of a PV cable is recommended. Avoid any grease or oils contacting the body of the T4 PV connector. Please read the safety and installation instructions before using the connector.