

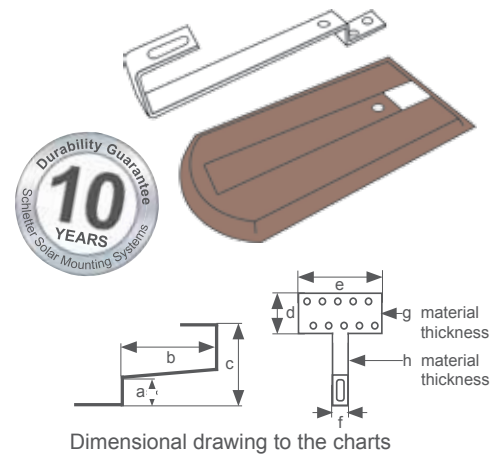
Plain tile roof hooks

Universal hook designs also for special kinds of tiles

Plain tiles are a special kind of roofing. Besides different tile forms, different kinds of roofings and overlap dimensions, regionally also different batten thicknesses are utilized. In order to fulfill as many requests as possible, we provide you several basic designs and of course we also offer you other options on request. Therefore, we would like to ask you to get familiar with the different designs and to pick the most suitable one for your case of application before placing an order.

The advantage of universal hooks (400851, 400854, 400855):
They can always be fixed to the rafter.

Advantage of fastening plate:
Resistant to snow loads



Dimensional drawing to the charts

103001-001 Roof hooks for plain tiles (simple)

(400 850) only for low snow loads!

	a	b	c	d	e	f	g	h
mm	40	255	125	60	30	30	5	5
inches	1.57	10.04	4.92	2.36	1.18	1.18	0.20	0.20

103001-002 Universal roof hooks for plain tiles (adjustable)

(400 851)

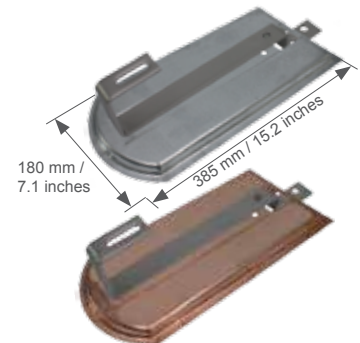
	a	b	c	d	e	f	g	h
mm	45	240	107-137	75	150	30	5	6
inches	1.77	9.45	4.21-5.39	2.95	5.91	1.18	0.20	0.24



103011-000 Plain tile fixation kit galvanized. (simple)

(400 852) Galvanized plain tile substitute plate with integrated VA-hook
Especially resistant to snow loads!

	a	b	c	d	e	f	g	h
mm	32	255	125	60	30	30	5	5
inches	1.26	10.04	4.92	2.36	1.18	1.18	0.20	0.20



103012-000 Plain tile fixation kit Cu (simple)

(400 853) Copper plain tile substitute plate with integrated VA-hook

103011-001 Galvanized plain tile fixation kit Univ. (universal)

(400 854) Galvanized plain tile substitute plate with integrated VA-hook and additional fastening plate (adjustable on the side). The optimal way of fixation! Especially resistant to snow loads and absolutely safe also in case of big wind loads due to the fixation to the rafter!

	a	b	c	d	e	f	g	h
mm	35	245	110	71	140	30	5	5
inches	1.38	9.65	4.33	2.80	5.51	1.18	0.20	0.20

103012-001 Plain tile fixation kit Univ. Cu (universal)

(400 855) Copper plain tile-substitute plate with integrated VA-hook and additional fastening plate (adjustable on the side).



Please consider the electromotive series in case of material combinations. Copper plates may only be used, if all materials in water flow direction (eaves, etc.) are also made of copper. All roof hooks are made of V2A 1.4301, produced at our production site. Dimensioning of the number of roof hooks according to the Schletter structural analysis acc. to DIN 1055 new and Eurocode 1.

Get all system prices conveniently and swiftly with our auto-calculator!