

# COMPONENT OVERVIEW 2021

**SCHLETTER**  
*The Solar Mounting Group*

## **General information**

### **Materials:**

Roof hooks and their main components:  
High-grade steel with zinc flake coating,  
stainless steel 1.4301 or aluminium

Screws:  
Stainless steel A2 or better

Sheet metal parts:  
Stainless steel 1.4301 or aluminium

Module clamps:  
Aluminium

Rubber seal:  
EPDM gasket (UV-resistant)

Deviating materials are described with the individual items.

### **Planning aid:**

Configuration and structural dimensioning with the  
Schletter Configurator.

### **Structural analysis:**

Static calculation according to the current country-specific standards (in Germany EN 1991, EC1). Structural analysis supplement for the dimensioning of the number of required fastening points, based on the structural analysis. Please make sure you observe the structural analysis information in each case! The verification of the adhesive force of the roof to the substructure is not included in the general structural analysis appendices!

Production-specific tolerances are to be considered with all dimension specifications.

On customer request, all companies of the Schletter Group can purchase goods from Schletter Germany and China (Shanghai). Both have been certified according to ISO 9001. Further details about the certifications are available on the respective Schletter websites.

# TABLE OF CONTENTS

## Component overview

<b>Presentation</b>	
Brochures and software	06
Sample case	07
<b>Roof hooks</b>	
Standard roof hooks	10
Rapid <sup>2+</sup> roof hooks	11
HSL roof hooks	12
ProLine roof hooks	13
Alu-Tile	14
Roof hooks, special design	15
Roof hook accessories	18
<b>Special fasteners</b>	
Special fasteners for roofs with steel substructure	22
Special fasteners for roofs with wooden substructure	24
Special fasteners accessories	25
Sheet metal seam clamps	26
Trapezoidal sheet connection	28
Trapezoidal and bitumen roof connection	29
<b>Module clamps</b>	
Module clamps for framed modules	32
Clamps for laminate modules	34
Laminate clamp accessories	35
<b>Profiles</b>	
Module support and mounting profiles	38
Profile accessories	41
<b>Supports</b>	
Flat roof support - Beam kit	44
Flat roof support - Beam kit / Facade support	45
Beam kit accessories	46
Support accessories	47
<b>Load-optimized flat roof systems</b>	
FixGrid	50
FlatGrid	53
<b>PvMax Energy-Kits</b>	
PvMax-S Kit	56
<b>Screws and small parts</b>	
Screws and small parts	60



# PRESENTATION

Brochures and software

Sample case

# BROCHURES AND SOFTWARE

## Presentation



The latest brochures, product sheets, mounting instructions and further technical information as well as software can always be found in the download area of [www.schletter-group.com](http://www.schletter-group.com).

Upon request, we will also gladly send you our brochures in digital format.

# SAMPLE CASE

## Presentation



Similar illustration

Upon request!

---

**195000-297** Sample case of roof and standard systems  
Contains samples of major products of the  
Schletter mounting systems

---





# ROOF HOOKS

**Standard roof hooks**

**Rapid<sup>2+</sup> roof hooks**

**HSL roof hooks**

**ProLine roof hooks**

**Alu-Tile**

**Roof hooks, special design**

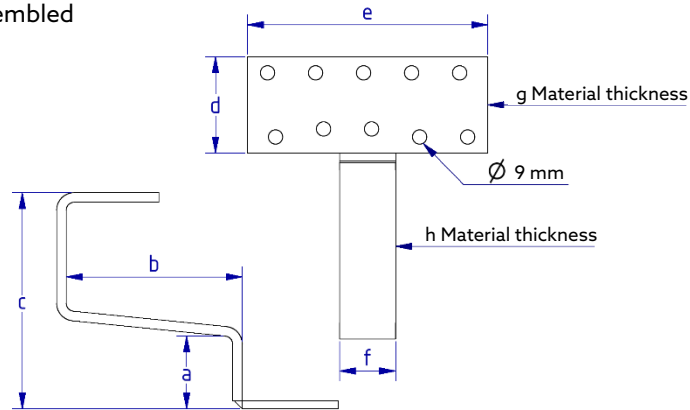
**Roof hook accessories**

# STANDARD ROOF HOOKS

## Roof hooks

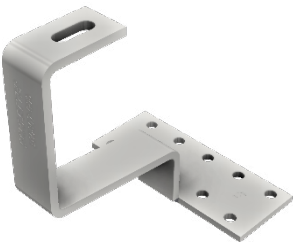
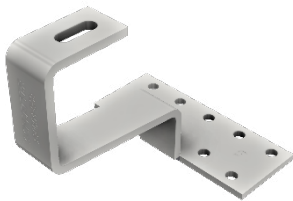
- All roof hooks made of stainless steel
- Adjustable hooks completely pre-assembled

Wood screws, square head screws (M10 x 25 mm) and flange nuts must be ordered separately!



## Roof hooks Eco S

- VA quality
- Welded
- Symmetric bar arrangement



**100004-000** Eco S 135 roof hooks (normal height 135 mm)

	a	b	c	d	e	f	g	h	
mm	45	110	135	60	150	35	5	6	PU:20

**100007-000** Eco S 165 roof hooks (normal height 165 mm)

	a	b	c	d	e	f	g	h	
mm	45	110	165	60	150	35	5	6	PU:20

## Universal roof hooks

- VA quality
- Variable bar arrangement
- Adjustable at the front and rear
- Centre bar can be used in three positions



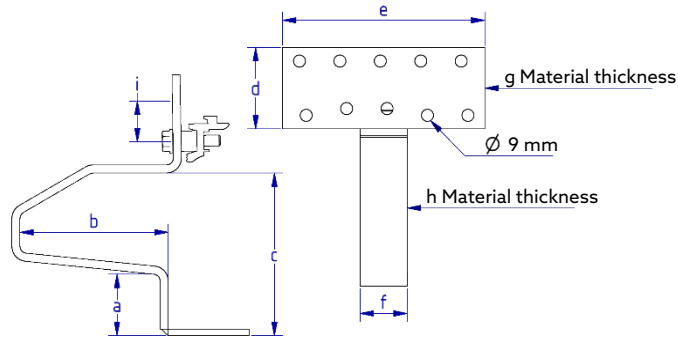
**100001-000** Universal roof hooks (Frankfurt pantiles or interlocking tiles)

	a	b	c	d	e	f	g	h	
mm	42-52	115	102-135	74	150	30	5	6	PU:20

# RAPID<sup>2+</sup> ROOF HOOKS

## Roof hooks

- VA quality
- Welded
- Symmetric bar arrangement
- Pre-assembled



### 101001-000 Rapid<sup>2+</sup> 45 roof hooks

	a	b	c	d	e	f	g	h	i	
mm	45	110	118	60	150	35	5	6	30	PU:20

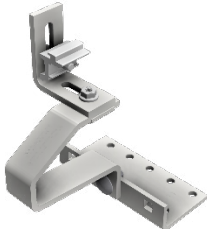
Comparable to: Eco S 100004-000



### 101002-000 Rapid<sup>2+</sup> 35 roof hooks

	a	b	c	d	e	f	g	h	i	
mm	35	110	108	60	150	35	5	6	30	PU:20

Like 101001-000, but 35 mm / 1.38-inch fork height for low battens



### 101004-000 Rapid<sup>2+</sup> Universal roof hooks

	a	b	c	d	e	f	g	h	i	
mm	40-52	110	115-127	74	150	35	5	6	30	PU:10

Universally adjustable, for vertical rail mounting

Comparable to: Universal 100001-000



### 101005-000 Rapid<sup>2+</sup> Max roof hooks

	a	b	c	d	e	f	g	h	i	
mm	45	120	125	80	150	35	6	8	30	PU:10

Like 101001-000, but bar 35 x 8 mm / 1.38 x 0.31 inches for heavy snow loads



### 101005-001 Rapid<sup>2+</sup> Max 150 roof hooks

	a	b	c	d	e	f	g	h	i	
mm	45	150	125	80	150	35	6	8	30	PU:10

Like 101005-000, but measure b 150 mm



### 101006-000 Rapid<sup>2+</sup> MaxV roof hooks

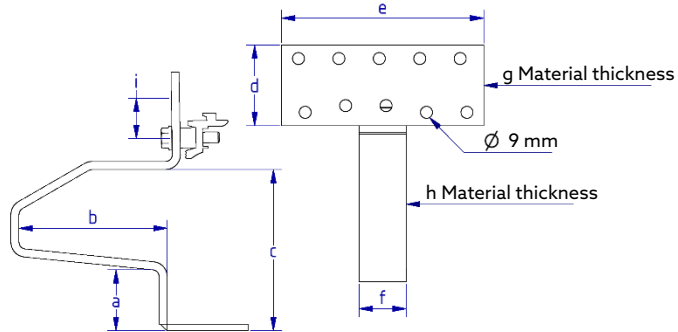
	a	b	c	d	e	f	g	h	i	
mm	45	120	125	80	150	35	6	8	30	PU:10

Like 101005-000, but for vertical rail mounting

# HSL ROOF HOOKS

Made of high-grade steel, especially for heavy snow loads

- Material: High-grade steel, welded
- Zinc flake coating
- Symmetric bar arrangement
- Pre-assembled



**100018-000\*** Eco S HSL roof hooks

	a	b	c	d	e	f	g	h	i	
mm	45	110	120	80	150	35	5	6		PU:20

\*Expires (Q2/21) and will be replaced by the EcoA 45 100020-000



**101001-002** Rapid2+ 45 HSL roof hooks

	a	b	c	d	e	f	g	h	i	
mm	45	110	115	80	150	35	5	6	30	PU:20



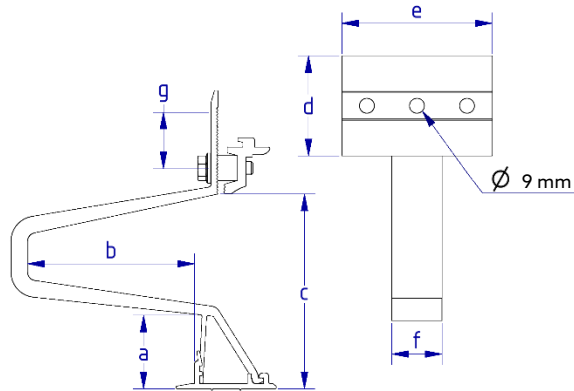
**101005-004** Rapid2+ Max HSL roof hooks

	a	b	c	d	e	f	g	h	i	
mm	45	132	114	80	150	35	6	8	30	PU:10

# PROLINE ROOF HOOKS

Pre-assembled from aluminium - light, cheap, efficient

- Material: Aluminium
- Mounting with only one bolt
- Variable bar arrangement
- Clamping part pre-assembled



**100020-000** EcoA 45 roof hooks

	a	b	c	d	e	f	
mm	45	99	117	60	90	30	PU:20

Connection possibilities for all common Schletter profiles



**101020-000\*** Rapid A 45 roof hooks

	a	b	c	d	e	f	g	
mm	45	99	117	60	90	30	30	PU:30

Can only be combined with profiles of the ProLine series  
\*Expected to be available from Q2/2021



**101024-000\*** Rapid A 45 Universal roof hooks

	a	b	c	d	e	f	g	
mm	45	99	117	60	90	30	30	PU:30

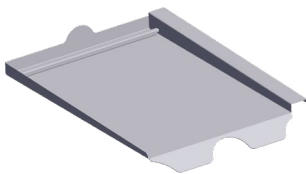
Can only be combined with profiles of the ProLine series  
\*Expected to be available from Q2/2021

# ALU-TILE

## Roof hooks

Replaces a complete roof tile. Please order roof hook set separately. Especially for areas with heavy snow loads.

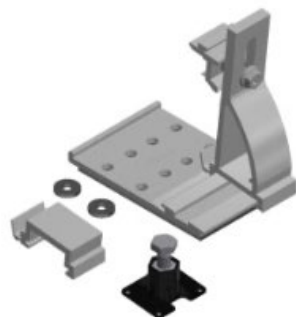
System hooks with sheet metal replacement tiles in aluminium, EPDM screw seal, load support in plastic with A2 stainless-steel screw.



## Sheet metal replacement tiles

Manufacturer	Item No.	PU:10
<b>Braas</b>		
Frankfurt pantile	103005-003	
Taunus pantile	103005-011	
Harz pantile	103005-022	
Tegalit	103005-025	
Topas 13V	103005-067	
<b>Erlus</b>		
Interlocking tile	103005-002	
Large interlocking tile	103005-007	
Large interlocking tile XXL	103005-010	
E58	103005-015	
Forma	103005-024	
Linea	103005-049	
Reform pantile XXL	103005-057	
<b>Eternit</b>		
Heidelberger	103005-006	
<b>Meindl</b>		
Rustico	103005-004	
MZ3 NEW	103005-112	

Other sheet metal replacement tiles are available on request.



## Alu-Tile roof hook set

Consists of system hook, screw seals and load support

---

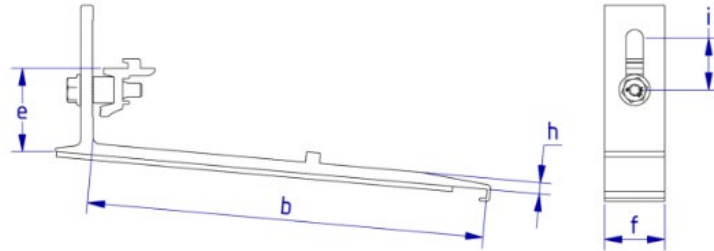
**103006-000** Alu-Tile roof hook set

PU:10

---

# ROOF HOOKS, SPECIAL DESIGN

## Roof hooks



### Sheet metal replacement tiles and roof hook sets for Rapid beaver tail incl. mounting set



**109016-007** BEZ Rapid beaver tail AL 180 x 380 PU:20

**109019-000** Roof hooks for Rapid beaver tail AL inst. PU:20

	a	b	c	d	e	f	g	h	i
mm	-	228	-	-	48	35	-	7	30



**109016-009** BEZ Rapid beaver tail AL 170 x 380 PU:20

**109019-000** Roof hooks for Rapid beaver tail AL inst. PU:20

	a	b	c	d	e	f	g	h	i
mm	-	228	-	-	48	35	-	7	30



**109016-010** BEZ Rapid beaver tail AL 190 x 400 PU:20

**109019-002** Roof hooks for Rapid beaver tail inst. 190 x 400 PU:20

	a	b	c	d	e	f	g	h	i
mm	-	250	-	-	50	35	-	6	30



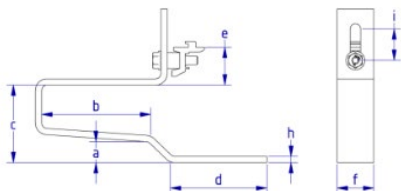
**109016-008** BEZ Rapid beaver tail Cu 180 x 380 PU:20

**109019-001** Roof hooks for Rapid beaver tail Cu inst. PU:20

	a	b	c	d	e	f	g	h	i
mm	-	232	-	-	50	35	-	6	30

# ROOF HOOKS, SPECIAL DESIGN

## Roof hooks



### Rapid 2L roof hooks

Roof hooks for system roofs made of roof insulation elements

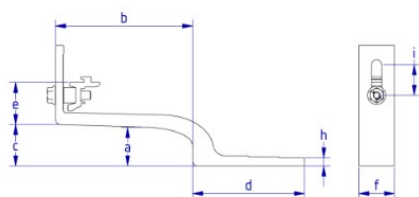


#### 101008-000 Rapid 2L roof hooks PU:20

	a	b	c	d	e	f	g	h	i
mm	20	104	74	92	36	35	-	6	30

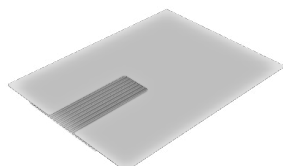
#### 101008-002 Rapid 2LV roof hooks PU:20

	a	b	c	d	e	f	g	h	i
mm	20	100	74	92	46	35	-	6	30



### Rapid<sup>2+</sup> Slate roof hooks

- Quick and easy installation
- Suitable for many shingle types
- For slate overlaps up to 125 mm
- Roof panel with flexible corrugated strip
- Direct load on rafters



#### 109019-004 Rapid<sup>2+</sup> Slate125 roof hooks PU:20

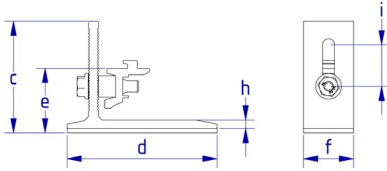
	a	b	c	d	e	f	g	h	i
mm	28	135	41	110	41	35	-	8	30

#### 109017-010 Shingle for roof hook Rapid<sup>2+</sup> Slate125 PU:20



# ROOF HOOKS, SPECIAL DESIGN

## Roof hooks

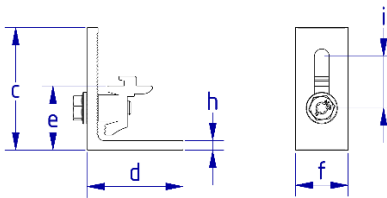
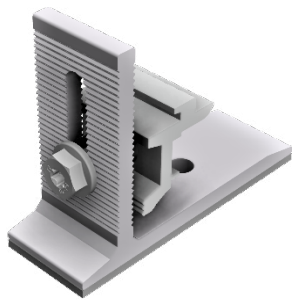


### Rapid<sup>2+</sup> SML

For mounting the metal shingle

**119026-101** Rapid<sup>2+</sup> SML roof hooks PU:20

	a	b	c	d	e	f	g	h	i
mm	-	-	78	105	45	35	-	6	29



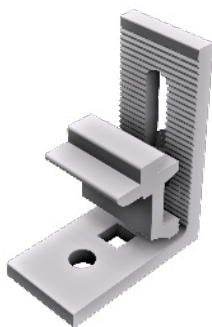
### RapidPro L

Angle attachment for connecting profiles of the ProLine series

**119026-121\*** RapidPro L PU:100

	a	b	c	d	e	f	g	h	i
mm	-	-	70	55	36	30	-	5.5	29

\*Expected to be available from Q2/2021

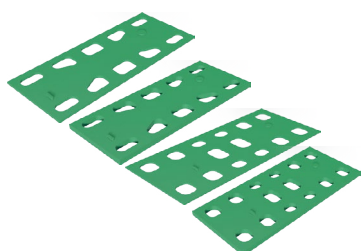


# ROOF HOOK ACCESSORIES

## Roof hooks



<b>973000-075</b> Shim roof hook 2.5/5 mm	PU:100
---	--------

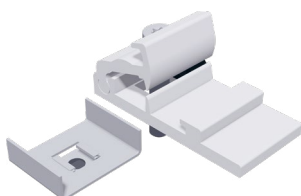


<b>973000-017*</b> EcoG / EcoS / Rapid Standard shim 2 mm	PU:50
<b>973000-018*</b> EcoG / EcoS / Rapid Standard shim 5 mm	PU:50
<b>973000-019*</b> VaMax / Rapid Max shim 2 mm	PU:50
<b>973000-020*</b> VaMax / Rapid Max shim 5 mm	PU:50

\* Products run out and will be replaced by the shim 973000-075



<b>973000-683</b> Roof hook sealing tape grey TP600 10 m	PU:15
--	-------



<b>109008-003</b> RapFix – extension for Eco roof hooks Especially for roof hooks that are not available as a Rapid version	PU:50
---	-------



<b>925120-002</b> Spacer sleeve, plastic, 1 m	
- For rafter insulation	
- Usable as a spacer sleeve for rafter insulation in connection with extra-long fastening screws	
- Plastic version prevents cold bridges	
- Cut to desired length	
- Order screws separately!	
- Note reduced load for roof hooks!	



<b>109010-000</b> Additional bracket Iso07 For roof hook fastening, system Iso07	PU:20
---	-------





# SPECIAL FASTENERS

Special fasteners for roofs with steel substructure

Special fasteners for roofs with wooden substructure

Special fasteners accessories

Sheet metal seam clamps

Trapezoidal sheet connection

Trapezoidal and bitumen roof connection

# SPECIAL FASTENERS FOR ROOFS WITH STEEL SUBSTRUCTURE

## Roofing: Corrugated roofs & trapezoidal sheet



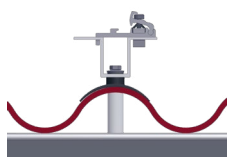
### Threaded screw, self-grooving, VA

<b>943763-064</b>	6.3 x 64	PU:100
<b>943763-115</b>	6.3 x 115	PU:100
<b>943763-150</b>	6.3 x 150	PU:100
<b>943763-200</b>	6.3 x 200	PU:50

The mounting points must be bored with Ø 5 mm

+ Adapter

= ready to use  
fastening systems



<b>119033-002</b>	Uno M8 universal adapter	PU:50
<b>119005-000</b>	Seal cap for corrugated sheets 5 / 6 / 8	PU:50
<b>119004-002</b>	Spacer sleeve AL 65 x 20*	PU:50
<b>119004-003</b>	Spacer sleeve AL 995 x 20**	PU:30

\* For profile height 57 mm (expires and will be replaced by 119004-003)

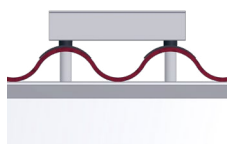
\*\* For other profile heights, these must be cut to size at the construction site  
Rapid cross connectors (item 129063-000) must be ordered separately



x 2



x 2



<b>119033-005</b>	Duo M8 universal adapter	PU:50
<b>119005-000</b>	Seal cap for corrugated sheets 5 / 6 / 8	PU:50
<b>119004-002</b>	Spacer sleeve AL 65 x 20*	PU:50
<b>119004-003</b>	Spacer sleeve AL 995 x 20**	PU:30

For each mounting point, 2 threaded screws must be calculated

\* For profile height 57 mm (expires and will be replaced by 119004-003)

\*\* For other profile heights, these must be cut to size at the construction site

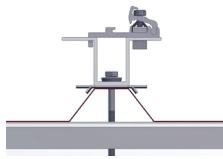
# SPECIAL FASTENERS FOR ROOFS WITH STEEL SUBSTRUCTURE

## Roofing: Corrugated roofs & trapezoidal sheet

+ Adapter

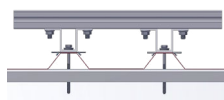
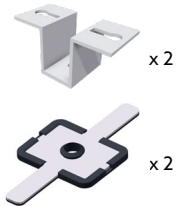


= ready to use  
fastening systems



<b>119033-002</b> Uno M8 universal adapter	PU:50
<b>119005-001</b> Universal sphere cap with EPDM	PU:50

Rapid cross connectors (item 129063-000) must be ordered separately



<b>119033-002</b> Uno M8 universal adapter	PU:50
<b>119005-001</b> Universal sphere cap with EPDM	PU:50

For each mounting point, 2 threaded screws must be calculated

Additionally, the upper profile and the necessary mounting screws must be considered

# SPECIAL FASTENERS FOR ROOFS WITH WOODEN SUBSTRUCTURE

## Roof cladding: Corrugated roofs & trapezoidal sheet

For corrugated sheets (such as those of fiber cement) or trapezoidal sheet roofs, corrugated roof fastening sets consisting of a special hanger bolt with EPDM seal and a mounting plate are used. Please note that illustrations and thread lengths may vary!



### Hanger bolt

<b>110010-200</b> Hanger bolt set 10 x 200 mounted	PU:50
<b>110012-200</b> Hanger bolt set 12 x 200 mounted	PU:50
<b>110012-300</b> Hanger bolt set 12 x 300 mounted	PU:50

Hanger bolt set pre-assembled with vulcanized EPDM seal (UV resistant) and 3 flange nuts in V4A, mounted

+ Adapter

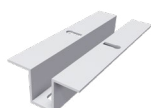
= ready to use  
fastening systems



<b>119002-000</b> Mounting plate for hanger bolt M10 / M12 For hanger bolts M10 / M12, loose, aluminium 120 x 60 x 6 mm	PU:50
--	-------



<b>119001-000</b> KlickTop extension part for hanger bolt For M10 / M12 hanger bolts, loose, aluminium	PU:50
---	-------



<b>119033-004</b> Universal adapter Duo M10 / M12 For M10 / M12 hanger bolts, loose, aluminium	PU:50
---	-------

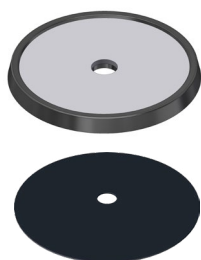


<b>119033-001</b> Universal adapter Uno M10 / M12 For M10 / M12 hanger bolts, loose, aluminium	PU:50
---	-------

Rapid cross connectors (item 129063-000) must be ordered separately



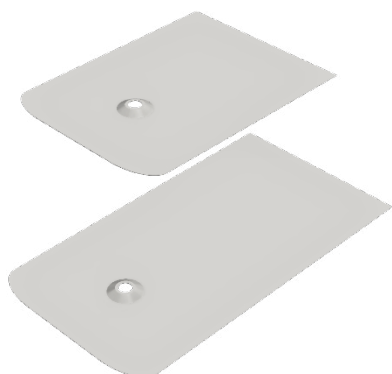
# SPECIAL FASTENERS ACCESSORIES



## FixPlan - in connection with hanger bolts

The alternative for level sheet metal roofs for which fastening on the fold is not possible (e.g. titanium zinc sheet roofs)

<b>114003-000</b> FixPlan sealing plate	PU:50
<b>114004-000</b> Bituplan additional seal for FixPlan For mounting with bitumen coverings	PU:100



## SlatePlan for attachment with hanger bolts

SlatePlan can be used on roofs with shingle covers, such as from bitumen, fiber cement or slate, for connection by hanger bolt systems.

<b>109017-000</b> SlatePlan with seal 270 x 200 x 0.5 mm	PU:50
<b>109017-001</b> SlatePlan with seal 370 x 200 x 0.5 mm	PU:50

# SHEET METAL SEAM CLAMPS

## Special fasteners

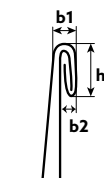
Please note: The tightening torque must be limited so that the sheet metal seam does not become distorted and the thermal expansion of the sheets is not prevented!



<b>112001-000</b> Seam clamp 503 VA for standing seam roof	PU:50
Please note: For titanium zinc sheets, it must be checked whether the standing seams can be loaded!	

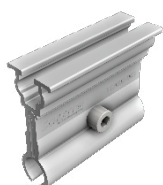
<b>112001-005</b> Seam clamp 503 Rapid for standing seam roof	PU:50
---	-------

<b>112001-010</b> Seam clamp 504 AL KK for standing seam roof	PU:50
Especially suitable for double standing seam roofs made of titanium zinc sheet	



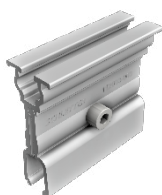
Possible dimensions of the border fold (left dimension drawing)  
 $h = 11 - 13 \text{ mm}$ ,  $b1 = 4 - 6 \text{ mm}$ ,  $b2 = \text{max. } 3 \text{ mm}$

The 504 seam clamp was developed together with the Rheinzink company for use on double standing seam roofs made of titanium zinc sheet and approved by Rheinzink. The profiles mounted on the standing seam clamps must not exceed a length of about 3 m without thermal separation.



<b>112002-003</b> 510 Rapid AL / KK seam clamp, suitable in particular for standing seam roofs for Kalzip <sup>®*</sup> , Bemo <sup>®*</sup>	PU:50
--	-------

\*All trademarks mentioned herein are the property of their respective owners.



<b>112003-003</b> Seam clamp 520 Rapid Zambelli RibRoof465 and similar	PU:50
--	-------

# SHEET METAL SEAM CLAMPS

## Special fasteners




---

**112004-002** Seam clamp 522 AL Rapid Zambelli RibRoof500 and similar PU:50

---




---

**112006-002** Seam clamp 524 Rapid Fischer KlipTec and similar PU:50

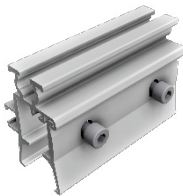
---




---

**112007-000** Seam clamp 525 VA for Domico Domitec  
for Domico and similar PU:50

---

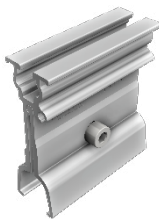



---

**112012-002\*** Seam clamp 540 AL KK for KlipLok 700 / 406  
for KlipLok 700 HiStrength, Classic 700 / 406 and similar PU:50

---

\*Expires and will be replaced by the clamp 112012-007




---

**112012-007\*** Seam clamp 551 for KlipLok 700 / 406  
for KlipLok 700 HiStrength, KlipTite and similar PU:100

---

\*Expected to be available from Q2/2021

### Attachment for seam clamps of other suppliers




---

**109008-004** RapFix - attachment flush  
M8 bolt for connection in set PU:50

---

# TRAPEZOIDAL SHEET CONNECTION

## Special fasteners



## SingleFix

The universal trapezoidal sheet fastener for steel and aluminium sheet from 0.5 mm. Pay special attention to the usage notes!

<b>113009-103*</b> SingleFix-V pair set for corrugation heights from 22 mm (2 x SingleFix-V, 4 sheet metal screws)	PU:50
*Expires and will be replaced by 113009-003 + screws (Q2/2021)	
<b>113009-003</b> SingleFix Pro for corrugation heights from 22 mm (1 piece) Screws must be ordered separately as needed (2 pieces for each SingleFix Pro)	PU:100
<b>943000-700</b> Thin sheet metal screw 5.5 x 25 A2 with gasket	PU:100
<b>943000-360</b> Thin sheet metal screw 6.0 x 25 A2 with gasket	PU:100
<b>120011-00450</b> EcoLight 450 mm module support profile	PU:50
<b>120020-00450</b> Pro35 450 mm module support profile	PU:50
<b>121010-202</b> FixZ-7 system profile18 lower 450 mm	PU:25
<b>121001-202</b> FixZ-7 system profile18 upper 450 mm	PU:25
<b>121009-202</b> FixZ-15 system profile18 lower 450 mm	PU:25
<b>121008-202</b> FixZ-15 system profile18 upper 450 mm	PU:25



= Mounting kit



# TRAPEZOIDAL AND BITUMEN ROOF CONNECTION

## Special fasteners

### ClampFit

The cost-optimized trapezoidal sheet fastener system for steel and aluminium sheet from 0.5 mm. Pay special attention to the usage notes!



<b>130004-100*</b> ClampFit fastener for corrugation heights from 22 mm Module clamps additionally needed depending on the frame height	PU:100
--	--------

\*Expires and will be replaced by 130004-200 + screws (Q2/2021)



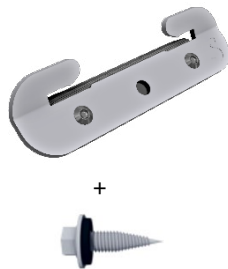
<b>130004-200</b> ClampFit (1 piece) Screws must be ordered separately as needed (2 pieces for each ClampFit)	PU:100
--	--------

<b>943000-700</b> Thin sheet metal screw 5.5 x 25 A2 with gasket	PU:100
--	--------

<b>943000-360</b> Thin sheet metal screw 6.0 x 25 A2 with gasket	PU:100
--	--------

### EcoRapid

The universal fastening system for self-supporting trapezoidal sheet roofs and sandwich elements. Please pay special attention to application instructions!



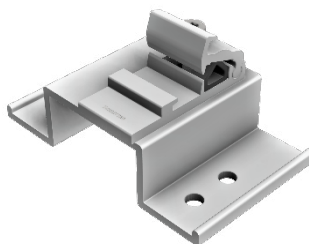
<b>113014-000</b> EcoRapid – clamp directly on frame for corrugation heights from 22 mm Screws must be ordered separately as needed EcoRapid on the edge of module field: 2 screws EcoRapid in centre of module field: 1 screw	PU:200
---	--------

<b>943000-700</b> Thin sheet metal screw 5.5 x 25 A2 with gasket	PU:100
--	--------

<b>943000-360</b> Thin sheet metal screw 6.0 x 25 A2 with gasket	PU:100
--	--------

### Fix T-K

The innovative fastener for bitumen roofs on wood casings.



<b>119014-012</b> Fix T-K Please note: Accessory 973000-041 EPDM rubber (page 62)	PU:50
--	-------



# MODULE CLAMPS

Rapid16 module clamp

RapidPro module clamp

Clamps for laminate modules

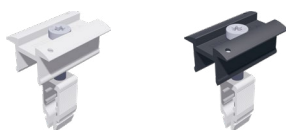
Clamps accessories

# MODULE CLAMPS FOR FRAMED MODULES

## Module clamps

### Rapid16 AL module clamp system

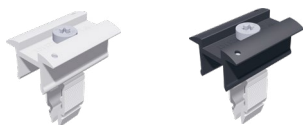
Clamping length: 50 mm



AL blank	Black anodized	Item designation	Installation type
<b>131121-002</b>	<b>131121-902</b>	Rapid16 centre clamp 40 – 50	<b>V + H</b> PU:100



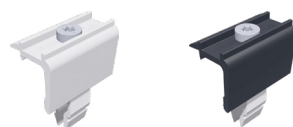
<b>131101-002</b>	<b>131101-902</b>	Rapid16 end clamp 40 – 50	<b>V + H</b> PU:50
-------------------	-------------------	---------------------------	--------------------



<b>131121-001</b>	<b>131121-901</b>	Rapid16 centre clamp 30 – 40	<b>V + H</b> PU:100
-------------------	-------------------	------------------------------	---------------------



<b>131101-001</b>	<b>131101-901</b>	Rapid16 end clamp 30 – 40	<b>V</b> PU:50
-------------------	-------------------	---------------------------	----------------



<b>131101-003</b>	<b>131101-903</b>	Rapid16 end clamp 30 – 40	<b>H</b> PU:50
-------------------	-------------------	---------------------------	----------------

Clamping length: 100 mm



<b>131121-111</b>	Rapid16 centre clamp 30 – 40 L	<b>V + H</b> PU:100
-------------------	--------------------------------	---------------------



<b>131101-101</b>	Rapid16 end clamp 30 – 40 L	<b>V</b> PU:50
-------------------	-----------------------------	----------------



# MODULE CLAMPS FOR FRAMED MODULES

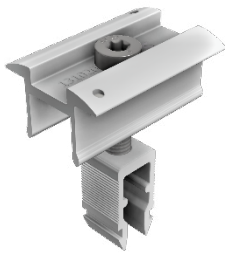
## Module clamps

### ProLine AL module clamp system

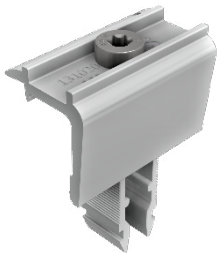
Clamping length: 50 mm

Clamp height: 30 - 47 mm

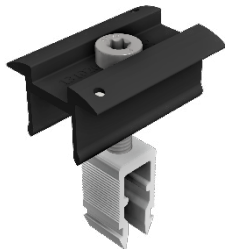
Only for profiles of the ProLine series!



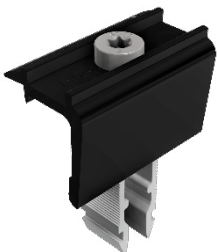
AL blank	Item designation	Installation type
<b>131020-001*</b>	RapidPro centre clamp	<b>V + H</b> PU:100



<b>131020-000*</b>	RapidPro end clamp	<b>V</b> PU:50
--------------------	--------------------	----------------



Black anodized		
<b>131020-901*</b>	RapidPro centre clamp	<b>V + H</b> PU:100



<b>131020-900*</b>	RapidPro end clamp	<b>V</b> PU:50
--------------------	--------------------	----------------

\*Clamps expected to be available from Q2/2021

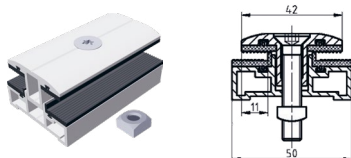
# CLAMPS FOR LAMINATE MODULES

## Module clamps

For various module thicknesses  
 Attention: Note the tightening torque!  
 (See also: Laminate assembly: General information)

### Profi laminate series

For laminate thicknesses 3 – 8 mm  
 Glass inset: Profi narrow 11 mm, Profi wide 15 mm  
 Length: 80 mm, clearance between modules: approx. 20 mm  
 Incl. countersunk screw and square nut




---

**132201-308** Profi centre clamp narrow 3 – 8 mm set PU:100

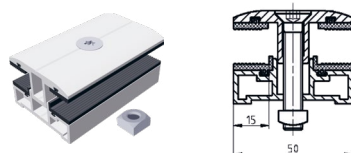
---




---

**132101-308** Profi end clamp narrow 3 – 8 mm set PU:100

---




---

**132202-308** Profi centre clamp wide 3 – 8 mm set PU:100

---



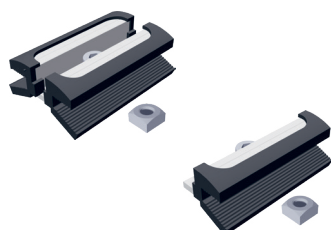

---

**132102-308** Profi end clamp wide 3 – 8 mm set PU:100

---

### Eco laminate series

Length of aluminium clamp: 70 mm, glass inset: 11 mm, clearance between modules: 22 mm (no compression of the laminate)




---

**133264-168** Eco6-S4 centre clamp laminate 6.8 mm set PU:100

---

**133164-168** Eco6-S4 end clamp laminate 6.8 mm set PU:100

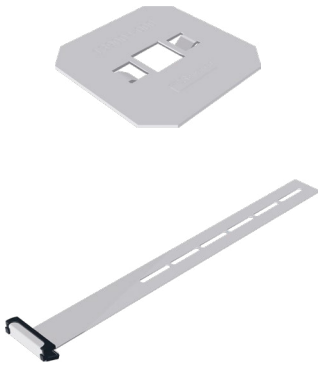
---

With M8 x 20 accessories, without click-in component  
 With aluminium clamp surrounding EPDM rubber

Certified clamps for First Solar series 4 modules made of highly insulated EPDM rubber material. The certification can be found in the download area at [www.schletter-group.com](http://www.schletter-group.com).

# LAMINATE CLAMP ACCESSORIES

## Module clamps



AL blank

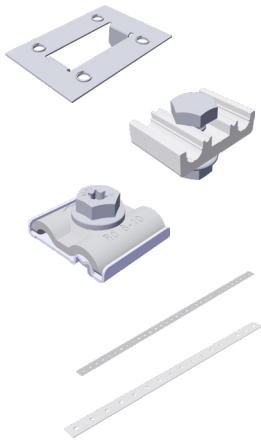
**139004-000** Bearing plate for Eco module clamp  
For raising the bearing surface

PU:200

AL blank

**139008-006** Safety hooks, laminate 3 - 8 mm

PU:100



## Lightning protection and potential equalization

**135004-000** Ground plate

For module grounding, not for laminate clamps!

PU:100

**135003-000** Lightning protection clamp for 8 mm

AL completely pre-assembled (for DM 8 mm wiring)

PU:20

**135003-002** Grounding and lightning protection clamp VA M8

Clamping range Rd 8 - 10 mm

Connection single/multi-wire 4 - 50 mm<sup>2</sup>

PU:20

**119015-002** Punched mounting tape 6 mm - Reel á 50 m

PU:1

**119015-003** Punched mounting tape 16 mm - Reel á 50 m

Lightning resistant

PU:1



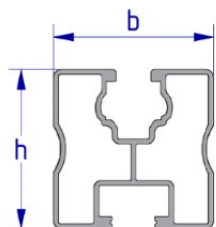
# PROFILES

Module support and mounting profiles

Profile accessories

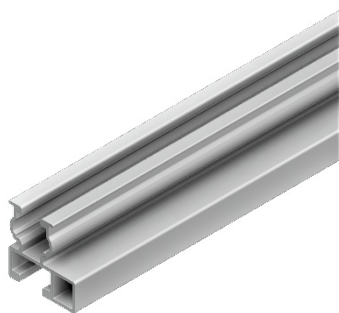
# MODULE SUPPORT AND MOUNTING PROFILES

## Profiles



The series for the proven click system with the right accessories  
Mounting with square nut, click system and Rapid<sup>2+</sup>

- Structural analysis tables for cross beams
- Load determination software on the Internet:  
[www.schletter-group.com](http://www.schletter-group.com)  
(Customer area > Software Download)



### Module support profile EcoLight

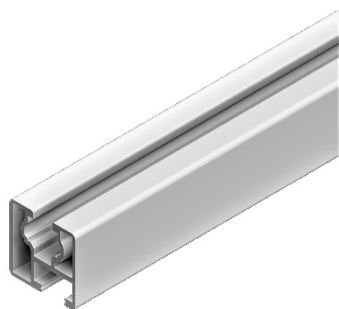
Mechanical connection  
Upper: KlickNut M8  
Lower: Screw channel M10

b	h
30 mm	30 mm

AL blank

<b>120011-04300*</b>	4.3 m
<b>120011-04400</b>	4.4 m
<b>120011-05300*</b>	5.3 m
<b>120011-05500</b>	5.5 m

\*Profiles expire and will be replaced by the new lengths from Q2/2021



### Module support profile Eco05

Mechanical connection  
Upper: KlickNut M8  
Lower: Screw channel M10

b	h
30 mm	30 mm

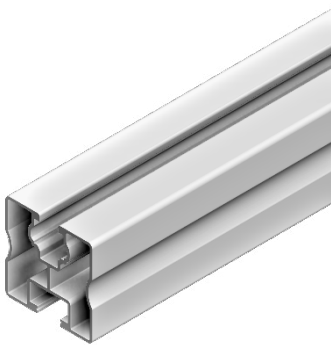
AL blank

<b>120001-04300*</b>	4.3 m
<b>120001-04400</b>	4.4 m
<b>120001-05300*</b>	5.3 m
<b>120001-05500</b>	5.5 m

\*Profiles expire and will be replaced by the new lengths from Q2/2021

# MODULE SUPPORT AND MOUNTING PROFILES

## Profiles



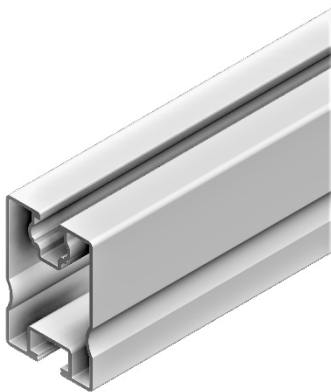
### Module support profile Solo

Mechanical connection  
 Upper: KlickNut M8  
 Lower: Screw channel M10

b	h
40 mm	40 mm

AL blank		Black anodized	
<b>120005-02100*</b>	2.1 m		
<b>120005-03200*</b>	3.2 m		
<b>120005-03300</b>	3.3 m		
<b>120005-04300*</b>	4.3 m	<b>120005-94300*</b>	4.3 m
<b>120005-04400</b>	4.4 m	<b>120005-94400</b>	4.4 m
<b>120005-05300*</b>	5.3 m	<b>120005-95300*</b>	5.3 m
<b>120005-05500</b>	5.5 m	<b>120005-95500</b>	5.5 m
<b>120005-006</b>	6.0 m		
<b>120005-06200</b>	6.2 m		

\*Profiles expire and will be replaced by the new lengths from Q2/2021



### Module support profile SoloPlus

Mechanical connection  
 Upper: KlickNut M8  
 Lower: Screw channel M10

b	h
40 mm	60 mm

AL blank	
<b>120006-04300*</b>	4.3 m
<b>120006-04400</b>	4.4 m
<b>120006-05300*</b>	5.3 m
<b>120006-05500</b>	5.5 m

\*Profiles expire and will be replaced by the new lengths from Q2/2021



### Module support profile Solo XL

Mechanical connection\*  
 Upper: KlickNut M8  
 Lower: Screw channel M10

b	h
40 mm	120 mm

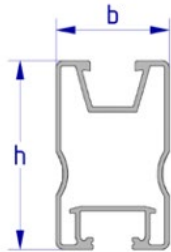
AL blank	
<b>120015-05300*</b>	5.3 m
<b>120015-05500</b>	5.5 m

\*Profile expires and will be replaced by the new lengths from Q2/2021

The lower M10 screw channel is only suitable for connecting with square head bolt 943410-025. Not for Rapid cross connector, KlickTop or similar connections.

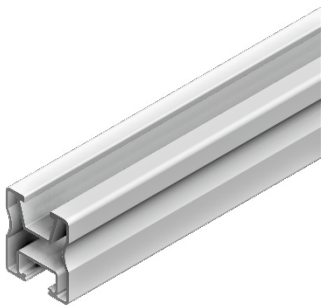
# MODULE SUPPORT AND MOUNTING PROFILES

## Profiles



The profile of the new ProLine series with the fitting accessories. Can be combined with roof hooks, connectors and clamps of the ProLine series.

- Structural analysis tables for cross beams
- Load determination software on the Internet:  
[www.schletter-group.com](http://www.schletter-group.com)  
 (Customer area > Software Download)



### Module support profile Pro35

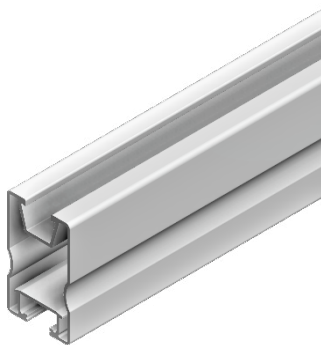
Mechanical connection  
 Upper: KlickNut Pro  
 Lower: Screw channel M10

b	h
30 mm	35 mm

AL blank

<b>120020-04400*</b>	4.4 m
<b>120020-05500*</b>	5.5 m

\*Expected to be available from Q2/2021



### Module support profile Pro50

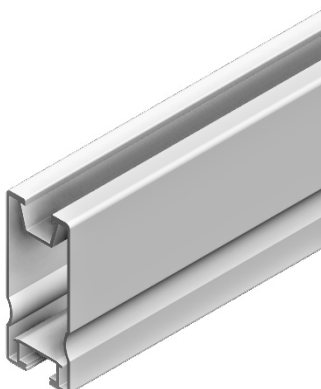
Mechanical connection  
 Upper: KlickNut Pro  
 Lower: Screw channel M10

b	h
30 mm	50 mm

AL blank

<b>120021-03300*</b>	3.3 m
<b>120021-04400*</b>	4.4 m
<b>120021-05500*</b>	5.5 m
<b>120021-006*</b>	6.0 m

\*Expected to be available from Q2/2021



### Module support profile Pro70

Mechanical connection  
 Upper: KlickNut Pro  
 Lower: Screw channel M10

b	h
30 mm	70 mm

AL blank

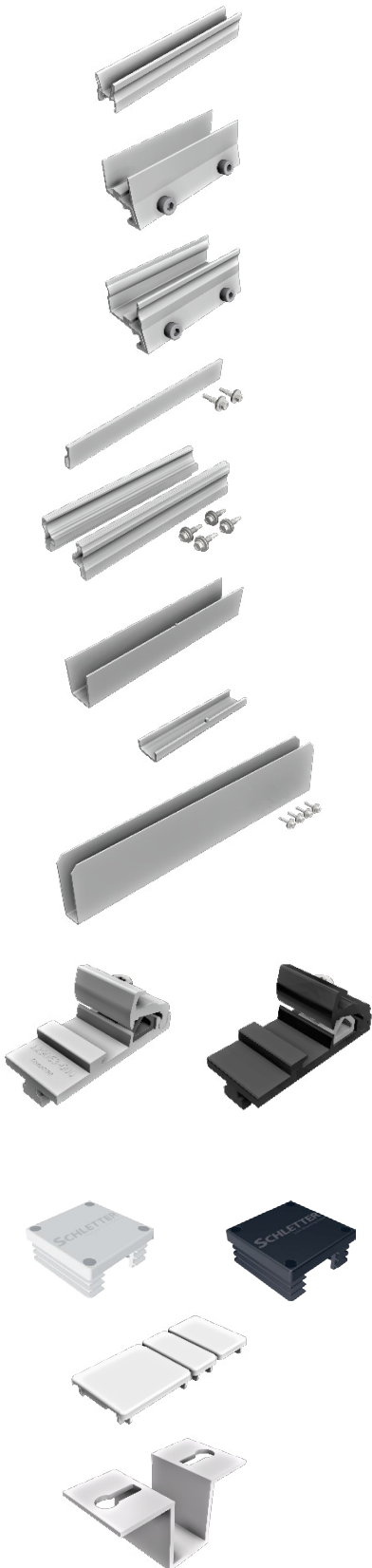
<b>120022-04400*</b>	4.4 m
<b>120022-05500*</b>	5.5 m

\*Expected to be available from Q2/2021



# PROFILE ACCESSORIES

## Profiles



<b>129200-000*</b>	Pro internal connector	PU:40
*Expected to be available from Q2/2021		
<b>129001-003</b>	E Eco connector, pre-assembled	PU:100
<b>129002-002</b>	E Solo, SoloPlus, FixZ-7, FixZ-15 connector, pre-assembled	PU:100
<b>129001-004</b>	Eco internal connector set	PU:50
<b>129060-001</b>	Solo slide-in connector set	PU:50
<b>129001-007</b>	SoloPlus internal connector	PU:25
<b>129001-008</b>	EcoLight internal connector	PU:25
<b>129001-009</b>	SoloXL internal connector set	PU:25
AL blank	Black anodized	
<b>129063-000</b>	<b>129063-900</b>	Rapid cross connector Completely pre-assembled for Klicknut M8 For cross rail system See Rapid cross connector product sheet
		PU:200
Grey	Black	
<b>129011-000</b>	<b>129011-900</b>	Solo plastic end cap
		PU:100
<b>129200-010*</b>	Pro plastic end cap	PU:100
*Expected to be available from Q2/2021		
<b>119033-002</b>	Uno M8 universal adapter	PU:50

As clamp dowel for special applications in connection with the Eco05 module support profile. Support profile must be fastened with M8 screws to the clamp dowel.



# SUPPORTS

Flat roof support - Beam kit

Flat roof support - Beam kit / Facade support

Beam kit accessories

Support accessories

# FLAT ROOF SYSTEM SUPPORTS

## Supports Beam kit

For all types of flat roof fasteners, depending on the substrate and fastener, diagonal reinforcement of the support units may be useful.

If necessary, these reinforcements can be built on site, e.g. using our punched mounting tape 16 - 50 m 119015-003.

### Beam kit

Angle of 15° - 40° in 5° increments possible

#### 150002-130 Light flat roof support 1.3 m beam kit

	a	b	c	d	e
mm	1195	1193	810-850	600	997-1067

For horizontal and vertical module mounting

Please note:

Refer to the dimension table for mounting areas, observe the specifications of the module manufacturer, for strut selection and accessories see page 46

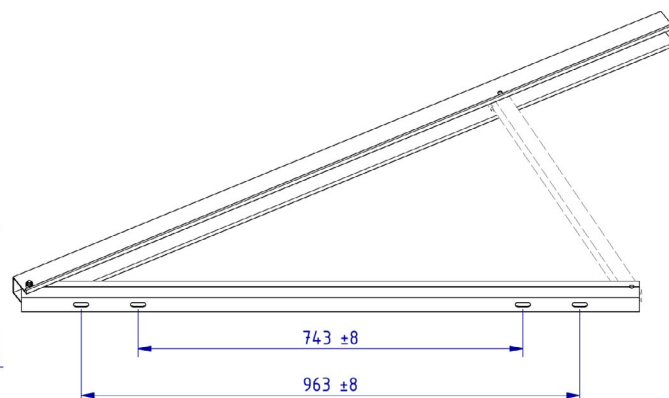
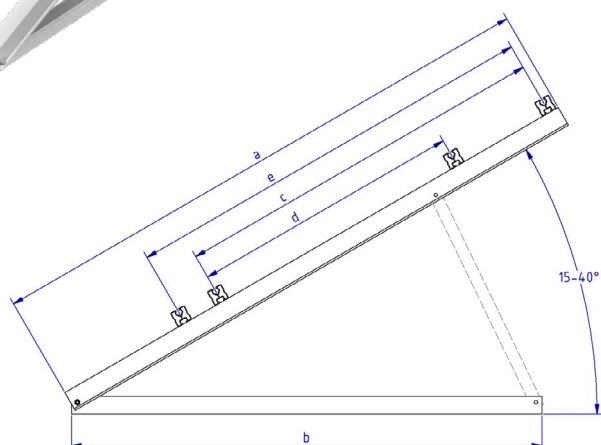
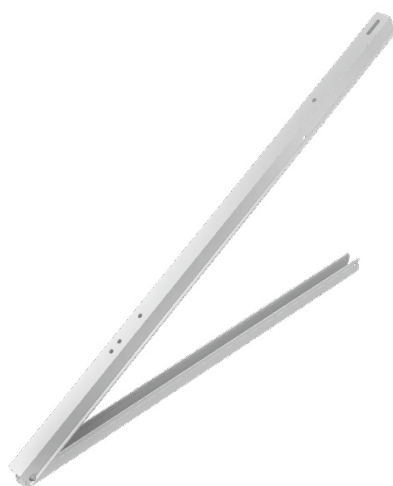
#### 150002-150 Light flat roof support 1.5 m beam kit

	a	b	c	d	e
mm	1445	1193	920-960	690	997-1067

For horizontal and vertical module mounting

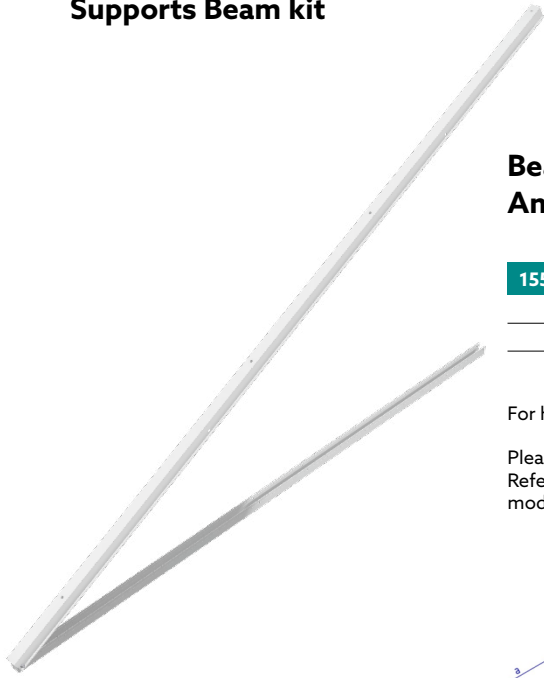
Please note:

Refer to the dimension table for mounting areas, observe the specifications of the module manufacturer, for strut selection and accessories see page 46



# FLAT ROOF SUPPORT AND FACADE SUPPORTS

## Supports Beam kit



### Beam kit Angle available in 15° or 30°

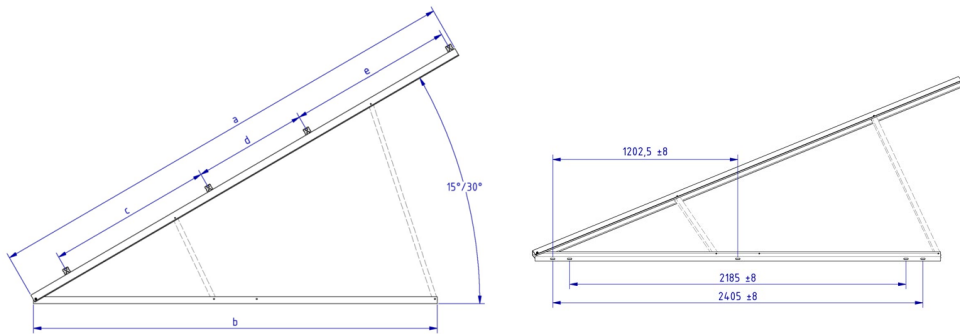
#### 155002-320 Light flat roof support 3.2 m beam kit

	a	b	c	d	e
mm	3195	2635	1080	733	1072

For horizontal and vertical module mounting

Please note:

Refer to the dimension table for mounting areas, observe the specifications of the module manufacturer, for strut selection and accessories see page 46



### Facade support Angle of 50° - 75° in 5° increments possible

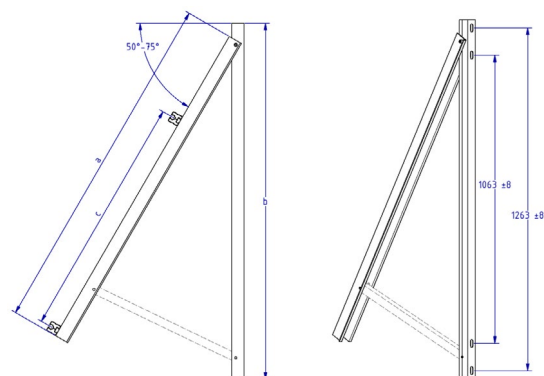
#### 156002-160 Light facade support 1.3 m beam kit

	a	b	c
mm	1285	1323	900

For horizontal and vertical module mounting

Please note:

Refer to the dimension table for mounting areas, observe the specifications of the module manufacturer, for strut selection and accessories see page 46

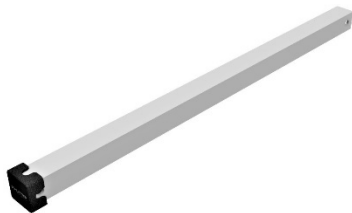


# BEAM KIT ACCESSORIES

## Supports

To complete the beam kits the following components such as struts and accessories are necessary!

### Struts for beam kit



**159005-001** Strut with end cap 338 mm

**159005-002** Strut with end cap 428 mm

**159005-003** Strut with end cap 520 mm

**159005-004** Strut with end cap 613 mm

**159005-005** Strut with end cap 700 mm

**159005-006** Strut with end cap 781 mm

**159005-007** Strut with end cap 1359 mm

### Beam kit accessories



**943308-055** Bolt M8 x 55 hex socket DIN 912 A2 GMB (2 piece/strut)

PU:100

**943911-008** Nut M8 hexagonal self-locking DIN985 A4 (2 piece/strut)

PU:500

**943922-010** M10 Large Washer DIN9021 A2

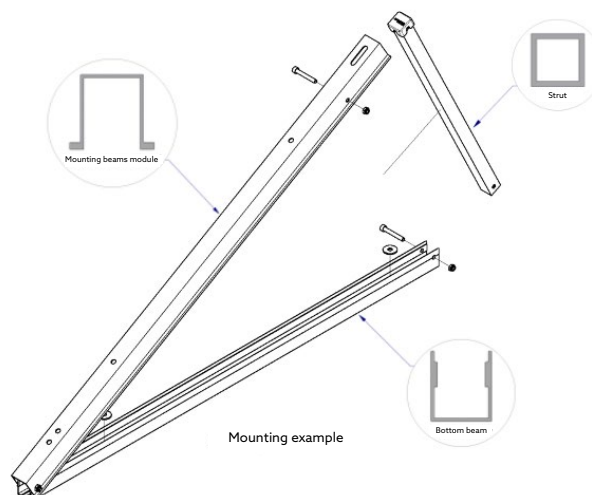
PU:100

(1 piece/screw-on point bottom support)

### Strut table

Flat roof support						
	15°	20°	25°	30°	35°	40°
<b>150002-130</b>	159005-001	159005-002	159005-003	159005-004	159005-005	159005-006
<b>150002-150</b>	159005-001	159005-002	159005-003	159005-004	159005-005	159005-006
<b>155002-320</b>	159005-005			159005-007		
	159005-001			159005-004		

Facade support						
	50°	55°	60°	65°	70°	75°
<b>156002-160</b>	159005-006	159005-005	159005-004	159005-003	159005-002	159005-001



# SUPPORT ACCESSORIES

## Supports

### Weighing



---

<b>159000-027</b> Concrete block filling finish set18	PU:100
---	--------

---

---

<b>160002-001</b> SolRack AL (1 plate) Material thickness: 1 mm Surface: 0.55 m <sup>2</sup>	
--	--

---



### SolRack accessories

(2 units per plate required!)

---

<b>943610-025</b> Screw M10 x 25 hexagonal DIN933 A2 GMB	PU:100
<b>943922-010</b> Large washer M10 DIN9021 A2	PU:100
<b>943912-010</b> Flange nut M10 with locking teeth DIN6923 A4	PU:100

---

### Windsafe (depending on project)

Rear wall panelling for elevated PV systems to reduce wind loads

---

<b>164160-180</b> Windsafe Vario AL 160 x 1830 mm	
<b>164250-180</b> Windsafe Vario AL 250 x 1830 mm	

---







# LOAD-OPTIMIZED FLAT ROOF SYSTEMS

FixGrid

FlatGrid

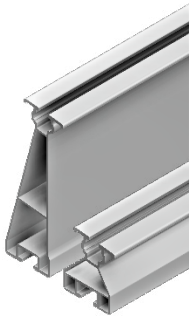
# FIXGRID

## Load-optimized flat roof systems



### FixGrid18

<b>163000-201</b>	FixGrid18 100 kit 6° set of 2
<b>163000-202</b>	FixGrid18 100 kit 6° set of 3
<b>163000-203</b>	FixGrid18 100 kit 13° set of 2
<b>163000-204</b>	FixGrid18 100 kit 13° set of 3
<b>163000-301</b>	FixGrid18 South kit 6° set of 2
<b>163000-302</b>	FixGrid18 South kit 6° set of 3
<b>163000-303</b>	FixGrid18 South kit 13° set of 2
<b>163000-304</b>	FixGrid18 South kit 13° set of 3



### FixZ-7

<b>121001-04300*</b>	FixZ-7 Upper system profile 4300 mm
<b>121001-04400</b>	FixZ-7 Upper system profile 4400 mm
<b>121001-05300*</b>	FixZ-7 Upper system profile 5300 mm
<b>121001-05500</b>	FixZ-7 Upper system profile 5500 mm
<b>121010-04300*</b>	FixZ-7 Lower system profile18 4300 mm
<b>121010-04400</b>	FixZ-7 Lower system profile18 4400 mm
<b>121010-05300*</b>	FixZ-7 Lower system profile18 5300 mm
<b>121010-05500</b>	FixZ-7 Lower system profile18 5500 mm

\*Profiles expire and will be replaced by the new lengths from Q2/2021



### FixZ-15

<b>121008-04300*</b>	FixZ-15 Upper system profile18 4300 mm
<b>121008-04400</b>	FixZ-15 Upper system profile18 4400 mm
<b>121008-05300*</b>	FixZ-15 Upper system profile18 5300 mm
<b>121008-05500</b>	FixZ-15 Upper system profile18 5500 mm
<b>121009-04300*</b>	FixZ-15 Lower system profile18 4300 mm
<b>121009-04400</b>	FixZ-15 Lower system profile18 4400 mm
<b>121009-05300*</b>	FixZ-15 Lower system profile18 5300 mm
<b>121009-05500</b>	FixZ-15 Lower system profile18 5500 mm

\*Profiles expire and will be replaced by the new lengths from Q2/2021



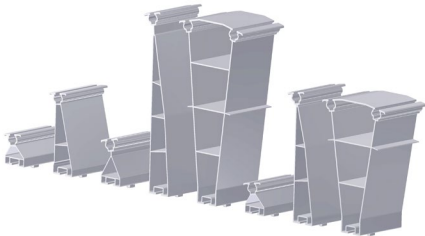
### Base profile FixGrid, FlatGrid

<b>128039-006</b>	Base profile for FlatGrid 6000 mm
<b>128039-203</b>	Base profile for FlatGrid 2150 mm
<b>128039-212*</b>	Base profile for FlatGrid 2650 mm
<b>128039-214</b>	Base profile for FlatGrid 4200 mm
<b>128039-215</b>	Base profile for FlatGrid 6300 mm
<b>128039-216*</b>	Base profile for FlatGrid 3150 mm

\*Profile expires

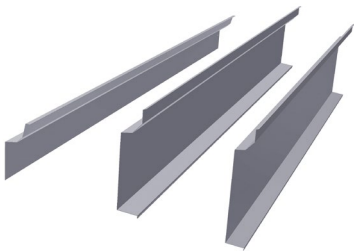
# FIXGRID

## Load-optimized flat roof systems



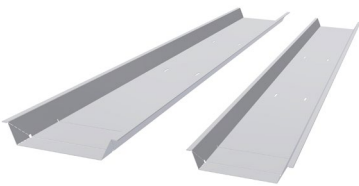
FixZ profile pieces incl. FixGrid screw-in connector		
<b>163900-011</b>	FixZ-7 upper system profile 96 mm with connector	PU:25
<b>163900-012</b>	FixZ-7 lower system profile 96 mm with connector	PU:25
<b>163900-021</b>	FixZ-10 upper system profile 96 mm with connector	PU:25
<b>163900-022</b>	FixZ-10 lower system profile 96 mm with connector	PU:25
<b>163900-023</b>	FixZ-10 centre system profile 96 mm with connector	PU:25
<b>163900-001</b>	FixZ-15 upper system profile 96 mm with connector	PU:25
<b>163900-002</b>	FixZ-15 lower system profile 96 mm with connector	PU:25
<b>163900-003</b>	FixZ-15 centre system profile 96 mm with connector	PU:25

For high snow loads up to 5.4 kN / m<sup>2</sup>



FixZ Windsafe sheet metal		
<b>169018-170</b>	FixZ-7 Windsafe up to 1700 mm	
<b>169018-210</b>	FixZ-7 Windsafe up to 2067 mm	
<b>169018-240*</b>	FixZ-7 Windsafe up to 2400 mm	
<b>169017-170</b>	FixZ-10 Windsafe up to 1700 mm	
<b>169017-210</b>	FixZ-10 Windsafe up to 2067 mm	
<b>169017-240*</b>	FixZ-10 Windsafe up to 2400 mm	
<b>169019-170</b>	FixZ-15 Windsafe up to 1700 mm	
<b>169019-210</b>	FixZ-15 Windsafe up to 2067 mm	
<b>169019-240*</b>	FixZ-15 Windsafe up to 2400 mm	

\*Expected to be available from Q2/2021



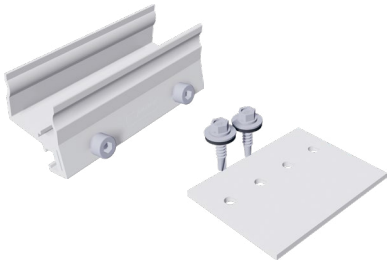
Ballast shafts		
<b>169020-170</b>	FixGrid ballast shaft up to 1700 mm	
<b>169020-210</b>	FixGrid ballast shaft up to 2067 mm	
<b>169020-240*</b>	FixGrid ballast shaft up to 2400 mm	

\*Expected to be available from Q2/2021

The appropriate module clamps can be found in the module clamps section.

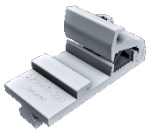
# FIXGRID

## Load-optimized flat roof systems



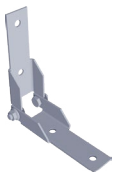
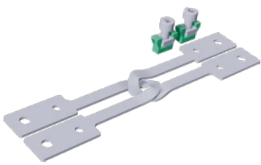
### Connectors

<b>129002-002</b>	Connector E Solo, SoloPlus, FixZ-7, FixZ-15, pre-assembled	PU:100
<b>129019-001</b>	Additional connector for FixZ-15 upper set	PU:100



### Other accessories

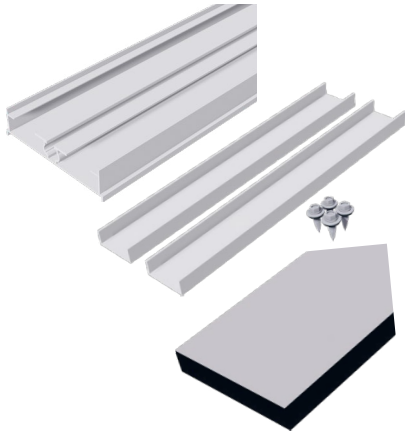
<b>129063-000</b>	Rapid cross connector	PU:200
<b>129062-001</b>	Tension connector set M8	PU:100
<b>129061-001</b>	Ridge connector set	PU:50
<b>119015-002</b>	Punched mounting tape 6 mm - Reel á 50 m	PU:1
<b>119015-003</b>	Punched mounting tape 16 mm - Reel á 50 m Lightning resistant	PU:1



The appropriate module clamps can be found in the module clamps section, and the module support profiles in the profiles section.

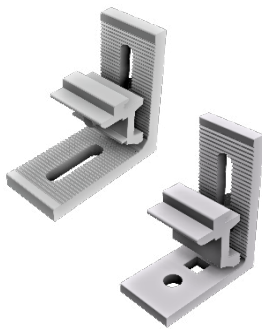
# FLATGRID

## Load-optimized flat roof systems



### Base profile FlatGrid for structure protection strips

<b>128039-006</b>	Base profile for FlatGrid 6000 mm	
<b>128039-203</b>	Base profile for FlatGrid 2150 mm	
<b>128039-212</b>	Base profile for FlatGrid 2650 mm	
<b>128039-214</b>	Base profile for FlatGrid 4200 mm	
<b>128039-215</b>	Base profile for FlatGrid 6300 mm	
<b>128039-216</b>	Base profile for FlatGrid 3150 mm	
<b>129078-000</b>	Internal connector for FlatGrid set	PU:25
<b>169004-003</b>	Surface protection mat 300 x 110 x 20 mm SK Cut	PU:25
<b>169004-008</b>	Surface protection mat 300 x 110 x 20 mm FH AK SK Cut (On request, please note longer delivery times).	PU:25



### Rapid<sup>2+</sup> L bracket connector and accessories

<b>119026-001</b>	Rapid <sup>2+</sup> L bracket connector	PU:100
<b>119026-121*</b>	Rapid Pro L bracket connector	PU:100
<b>943308-120</b>	Allen screw M8 x 20	PU:100
<b>943922-008</b>	Washer M8	PU:100
<b>943914-008</b>	Square nut M8	PU:100
<b>129010-008</b>	Click-in module for nut M8	PU:100

\*Expected to be available from Q2/2021, for connecting profiles of the ProLine series



### Other accessories

<b>129062-001</b>	Tension connector set M8	PU:100
<b>169017-000</b>	Additional tray	PU:50
<b>169004-007*</b>	Surface protection mat 230 x 200 x 6 mm	PU:50
<b>169004-013</b>	Surface protection mat 230 x 110 x 8 mm	PU:100

\*Expires and will be replaced by 169004-013 (Q2/2021)

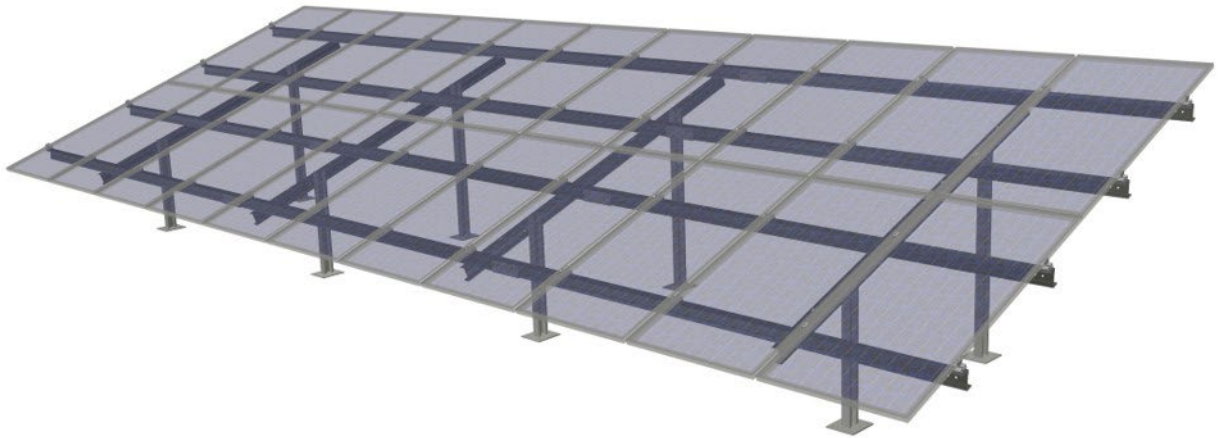


# PVMAX ENERGY-KITS

PvMax-S Kit

# PVMAX

## PvMax-S Kit





# PVMAX

## PvMax-S Kit

The new PvMax-S complements our product range from the FS steel family. PvMax-S combines FS Duo with concrete foundations and is ultimately a cost-effective steel variant of the PvMax3 made of aluminium.

- Quick and easy installation
- Complete statics verification
- Economical and efficient
- Applicable for 60 and 72 cell modules

### **Open area system with concrete foundation**

---

**146003-040** PvMax-S Kit 2V 11/72 4 posts

---



# SCREWS AND SMALL PARTS

Screws and small parts

# SCREWS AND SMALL PARTS

## Screws and small parts



### Hexagon screw, VA

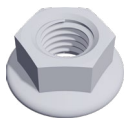
<b>943610-025</b>	M10 x 25	PU:100
<b>943610-030*</b>	M10 x 30	PU:100
<b>943610-035</b>	M10 x 35	PU:100
<b>943610-045</b>	M10 x 45	PU:100

\*Item expires, available as long as there is inventory



### Square head screw, VA

<b>943410-025</b>	M10 x 25	PU:100
-------------------	----------	--------



### Flange nut with locking teeth

<b>943912-008</b>	M8	PU:100
<b>943912-010</b>	M10	PU:100



### Washer large, VA

<b>943922-008</b>	M8	PU:100
<b>943922-010</b>	M10	PU:100



### Allen screw

<b>943308-120</b>	M8 x 20 bottom gear teeth	PU:100
<b>943308-135*</b>	M8 x 35 bottom gear teeth	PU:200

\*Item expires, available as long as there is inventory

# SCREWS AND SMALL PARTS

## Screws and small parts



<b>943914-008</b>	Square nut M8, V4A Fits all Schletter system profiles, can be combined with Klicknut M8 and click-in component	PU:100
-------------------	---	--------



<b>129010-008</b>	Click-in module for nut M8 For simplified insertion of the M8 square nut at any location on the KlickIn nut M8	PU:100
-------------------	---	--------



<b>943914-010</b>	Square nut M10, V4A	PU:100
-------------------	---------------------	--------



<b>943914-108*</b>	Special square nut M8, V4A (shape as in M10) Fits all Schletter system profiles, can be combined with Klicknut M10 and click-in components	PU:100
--------------------	---	--------

<b>129010-001</b>	KlickIn click-in module for nut M10 For simplified insertion of the M10 square nut at any location on the KlickIn nut M10	PU:100
-------------------	--	--------

\*Item expires, available as long as there is inventory

### Nut self-securing, V4A



<b>943911-008</b>	M8	PU:500
<b>943911-010*</b>	M10	PU:200

\*Item expires, available as long as there is inventory

### Threaded screw, self-grooving, VA

For steel starting at 1.5 mm



<b>943763-064</b>	6.3 x 64	PU:100
<b>943763-115</b>	6.3 x 115	PU:100
<b>943763-150</b>	6.3 x 150	PU:100
<b>943763-200</b>	6.3 x 200	PU:50

The mounting points must be bored with Ø 5 mm

# SCREWS AND SMALL PARTS

## Screws and small parts



### Fastening screws for metal components and plates

<b>943755-925</b>	Drill screw 5.5 x 25 with gasket	PU:100
<b>943000-700</b>	Thin sheet metal screw 5.5 x 25 A2 with gasket	PU:100
<b>943000-360</b>	Thin sheet metal screw 6.0 x 25 A2 with gasket	PU:100

<b>943772-019</b>	Repair screw 7.2 x 19 self-grooving FAB A A2	PU:500
-------------------	--	--------

### EPDM rubber inlay 3 mm self-adhesive, reel á 50 m, UV-resistant

e.g. for trapezoidal sheet clamps or for laminate modules

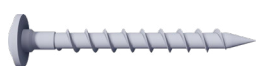


<b>973000-041</b>	EPDM rubber self-adhesive 48 mm wide, reel á 50 m
-------------------	---

### Wood screw

For non-boarded roofs, we recommend at least 80 mm, for roofs with boarding and counter-battens, at least 120 mm!

### Wood screw with plate head, VA



Example

<b>943208-080</b>	8 x 80	PU:100
<b>943208-100</b>	8 x 100	PU:100
<b>943208-120</b>	8 x 120	PU:50

### Wood screw with plate head, galvanized

<b>942208-080</b>	8 x 80	PU:50
<b>942208-100</b>	8 x 100	PU:50
<b>942208-120</b>	8 x 120	PU:50

### Seal for plate head screws



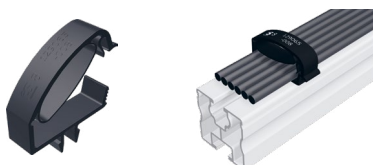
<b>119016-000</b>	dm 8 EPDM
-------------------	-----------

# SCREWS AND SMALL PARTS

## Screws and small parts

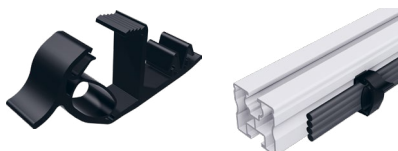
### Cable routing

Cable fastener made of UV- and temperature-resistant plastic



#### 129065-008 Proklip-Multi 8

Profiles	Systems	Cable quantity	
Click or screw channel M8, module support profile S, module support profiles Solo, Eco05, FixZ-7, FixZ-15	FixZ-7, FixZ-15, system FS, carport, special projects	approx. 6*	PU:100



#### 129065-001 Proklip-Multi 10S

Profiles	Systems	Cable quantity	
Solo and screw channel M10	-	approx. 4*	PU:100



#### 149023-001 Mounting clips 1.0 – 3.0 mm, upper guide

Fastening on edges with a width of 1.0 – 3.0 mm; cable tie length: 200 mm	PU:100
--	--------



#### 149023-002 Mounting clips 1.0 – 3.0 mm, lateral guide

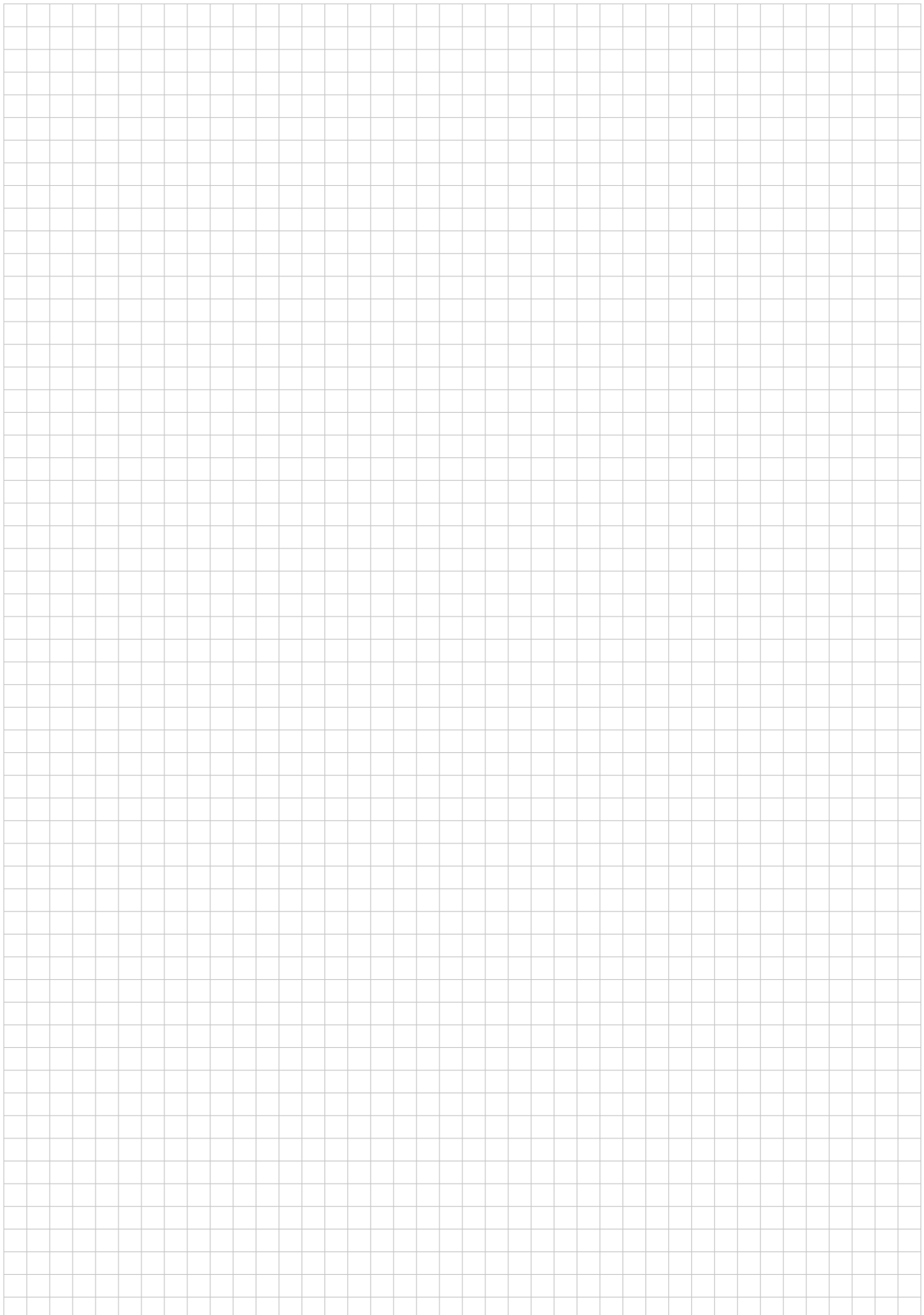
Fastening on edges with a width of 1.0 – 3.0 mm; cable tie length: 200 mm	PU:100
--	--------

\* Starting with a 6 mm<sup>2</sup> cable with a 6 mm cable diameter.





# NOTES







For competent and comprehensive advice in planning your system, and for questions about logistics and order processing, our employees are gladly available to you.

**SCHLETTER**  
*The Solar Mounting Group*

SCHLETTER SOLAR GMBH (Headquarters)  
Alustraße 1  
83527 Kirchdorf  
GERMANY

[www.schletter-group.com](http://www.schletter-group.com)

We reserve the right to changes, including technical modification.