



## Solis RHI Series Hybrid Inverter Instruction Manual

Ver 1.6

Ningbo Ginlong Technologies Co., Ltd.

No. 57 Jintong Road, Binhai Industrial Park, Xiangshan, Ningbo,  
Zhejiang, 315712, P.R.China.

Tel: +86 (0)574 6578 1806

Fax: +86 (0)574 6578 1606

Email: info@ginlong.com

Web: www.ginlong.com

Please adhere to the actual products in case of any discrepancies in this user manual.

If you encounter any problem on the inverter, please find out the inverter S/N  
and contact us, we will try to respond to your question ASAP.



Ningbo Ginlong Technologies Co., Ltd.

---

<b>1. Introduction</b>	2
1.1 Product Description	2
1.2 Packaging	3
<b>2. Safety &amp; Warning</b>	4
2.1 Safety	4
2.2 General Safety Instructions	4
2.3 Notice For Use	6
<b>3. Overview</b>	7
3.1 Screen	7
3.2 Keypad	7
3.3 Terminal Connection	7
<b>4. Installation</b>	8
4.1 Select a Location for the Inverter	8
4.2 Mounting the Inverter	10
4.3 PV Input Terminal Assembly	11
4.4 Battery Terminal Components	12
4.5 Assembling the AC Connector	13
4.6 Meter Installation	14
4.7 Communication Cable Assembly	16
4.8 Logic interface connection (Only for UK)	17
4.9 LED Indicates	18
<b>5. Operation</b>	19
5.1 Initial Display	19
5.2 Main Menu	21
5.3 Information	21
5.4 Settings	23
5.5 Advanced Info	25
5.6 Advanced Settings - Technicians Only	30
<b>6. Commissioning</b>	44
6.1 Preparation of Commissioning	44
6.2 Commissioning Procedure	44
<b>7. Troubleshooting</b>	45
<b>8. Maintenance</b>	51
<b>9. Appendix</b>	57

# 1. Introduction

## 1.1 Product Description

The Solis RHI series is designed for residential hybrid systems, which can work with batteries to optimize self-consumption. The unit can operate in both off- and on-grid modes.

The Solis RHI series has 4 different models:

RHI-3K-48ES , RHI-3.6K-48ES , RHI-4.6K-48ES , RHI-5K-48ES

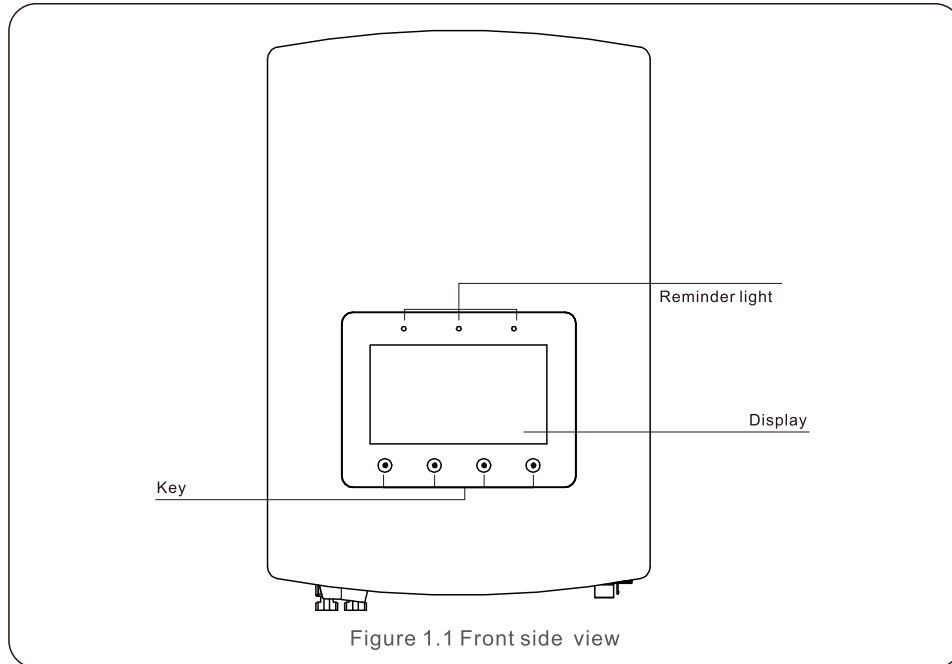


Figure 1.1 Front side view

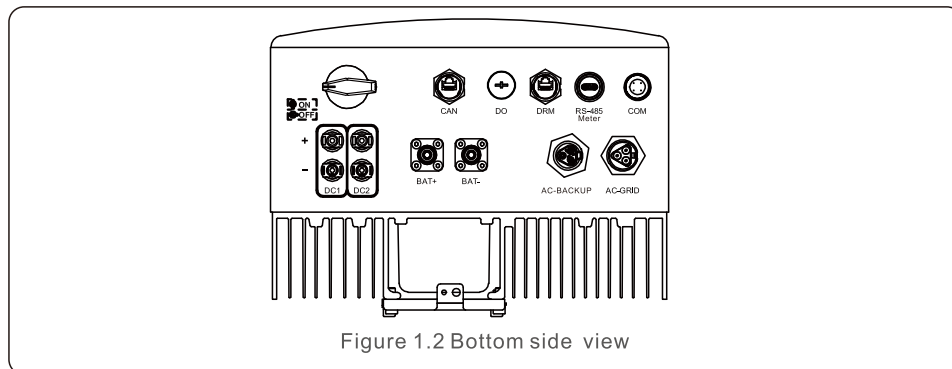
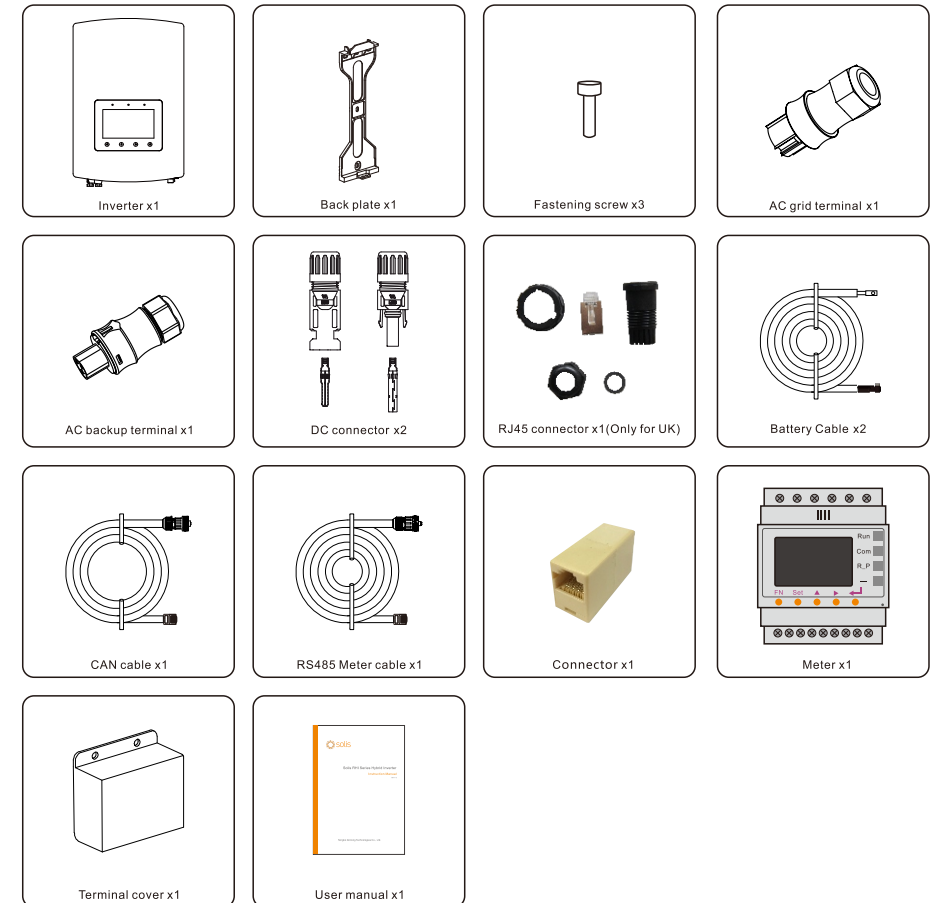


Figure 1.2 Bottom side view

# 1. Introduction

## 1.2 Packaging

Please ensure that the following items are included in the packaging with your machine:



If anything is missing, please contact your local Solis distributor.

## 2. Safety & Warning

### 2.1 Safety

The following types of safety instructions and general information appear in this document as described below:



**DANGER:**

“Danger” indicates a hazardous situation which if not avoided, will result in death or serious injury.



**WARNING:**

“Warning” indicates a hazardous situation which if not avoided, could result in death or serious injury.



**CAUTION:**

“Caution” indicates a hazardous situation which if not avoided, could result in minor or moderate injury.



**NOTE:**

“Note” provides tips that are valuable for the optimal operation of your product.

### 2.2 General Safety Instructions



**WARNING:**

Only devices in compliance with SELV (EN 69050) may be connected to the RS485 and USB interfaces.



**WARNING:**

Please don't connect PV array positive (+) or negative (-) to ground, it could cause serious damage to the inverter.



**WARNING:**

Electrical installations must be done in accordance with the local and national electrical safety standards.



**WARNING:**

Do not touch any inner live parts until 5 minutes after disconnection from the utility grid and the PV input.

## 2. Safety & Warning



**WARNING:**

To reduce the risk of fire, over-current protective devices (OCPD) are required for circuits connected to the inverter. The DC OCPD shall be installed per local requirements. All photovoltaic source and output circuit conductors shall have isolators that comply with the NEC Article 690, Part II. All Solis single phase inverters feature an integrated DC switch.



**CAUTION:**

Risk of electric shock, do not remove cover. There is no user serviceable parts inside, refer servicing to qualified and accredited service technicians.



**CAUTION:**

The PV array supplies a DC voltage when they are exposed to sunlight.



**CAUTION:**

Risk of electric shock from energy stored in capacitors of the Inverter, do not remove cover for 5 minutes after disconnecting all power sources (service technician only). Warranty may be voided if the cover is removed without authorization.



**CAUTION:**

The surface temperature of the inverter can reach up to 75°C (167 F). To avoid risk of burns, do not touch the surface of the inverter while it's operating. Inverter must be installed out of the reach of children.



**NOTE:**

PV module used with inverter must have an IEC 61730 Class A rating.



**WARNING:**

Operations below must be accomplished by licensed technician or Solis authorized person.



**WARNING:**

Operator must put on the technicians' gloves during the whole process in case of any electrical hazards.



**WARNING:**

AC-BACKUP of RHI series is forbidden to connect to the grid.

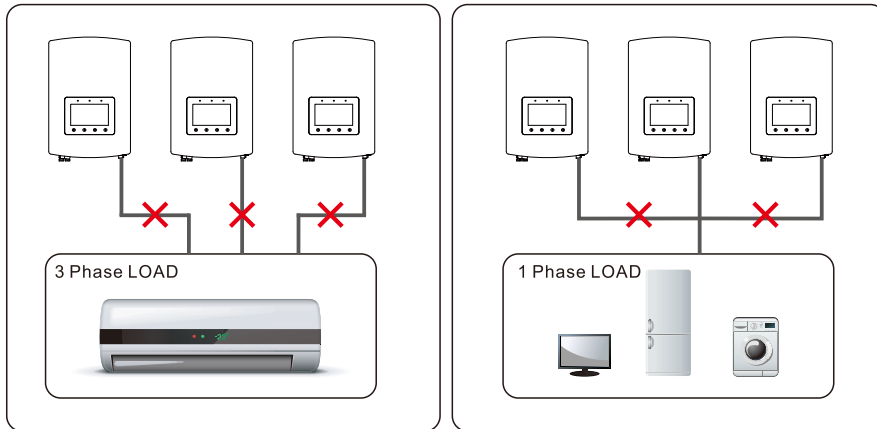


## 2. Safety & Warning



### WARNING:

The RHI series does not support parallel (three- and single-phase) operation on the AC-BACKUP port. Parallel operation of the unit will void the warranty.



### WARNING:

Please refer to the specification of the battery before configuration.

### 2.3 Notice For Use

The inverter has been constructed according to the applicable safety and technical guidelines. Use the inverter in installations that meet the following specifications ONLY:

1. Permanent installation is required.
2. The electrical installation must meet all the applicable regulations and standards.
3. The inverter must be installed according to the instructions stated in this manual.
4. The inverter must be installed according to the correct technical specifications.

## 3. Overview

### 3.1 Screen

Solis RHI series adopts 7 inch color screen, it displays the status, operating information and settings of the inverter.

### 3.2 Keypad

There are four keys in the front panel of the inverter (from left to right): ESC, UP, DOWN and ENTER keys. The keypad is used for:

- Scrolling through the displayed options (the UP and DOWN keys);
- Access and modify the settings (the ESC and ENTER keys).



Figure 3.2 Keypad

### 3.3 Terminal Connection

Solis RHI series inverter is different from normal on-grid inverter, please refer to the instructions below before start connection.

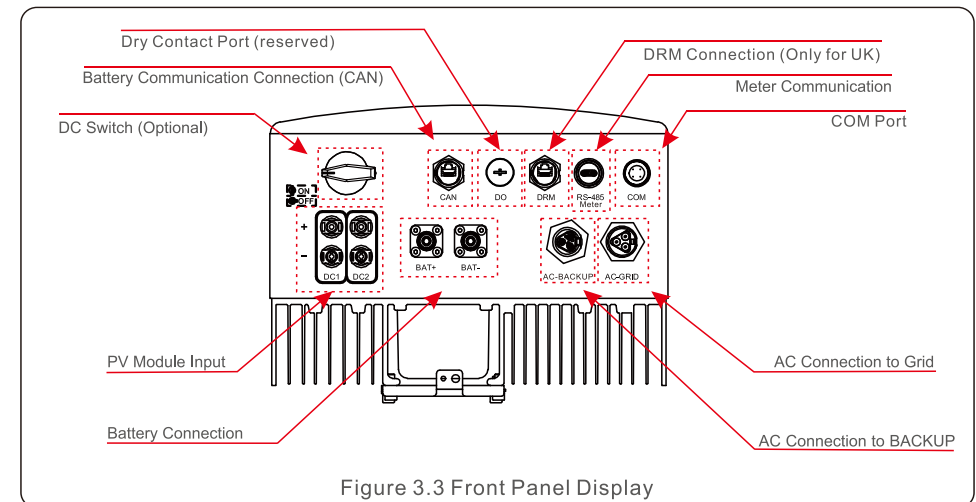


Figure 3.3 Front Panel Display



### WARNING:

Please refer to the specification of the battery before configuration.

# 4. Installation

## 4.1 Select a Location for the Inverter

To select a location for the inverter, the following criteria should be considered:

- Exposure to direct sunlight may cause output power derating. It is recommended to avoid installing the inverter in direct sunlight.
- It is recommended that the inverter is installed in a cooler ambient which doesn't exceed 104F/40C.

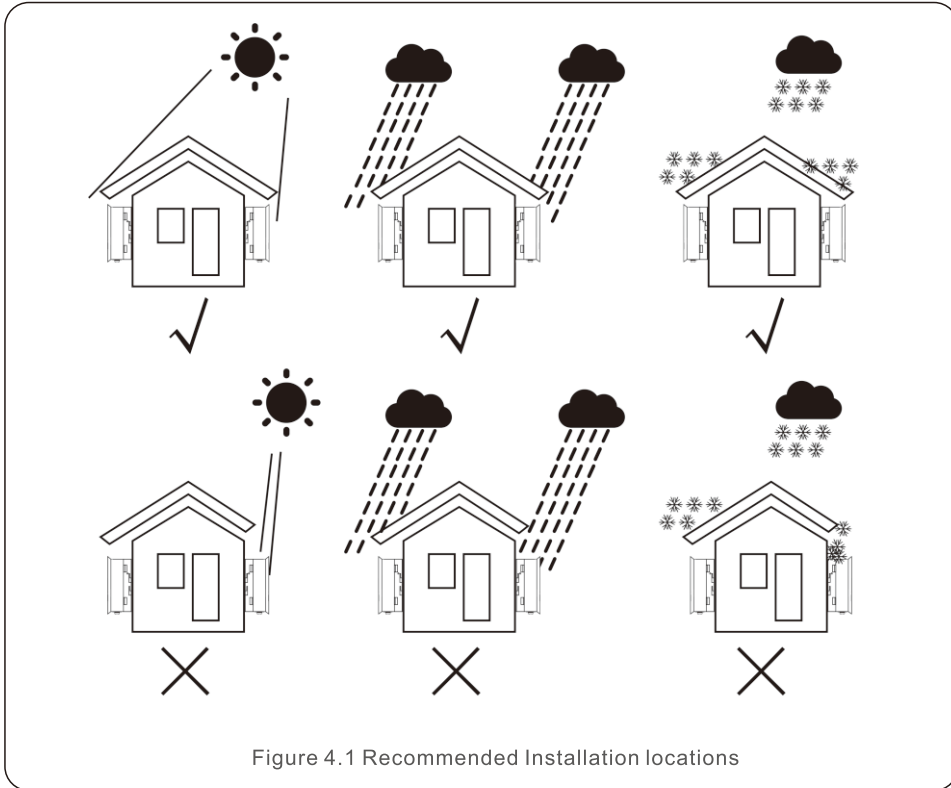


Figure 4.1 Recommended Installation locations

# 4. Installation

- Install on a wall or strong structure capable of bearing the weight of the machine (17kg).
- Install vertically with a maximum incline of +/- 5 degrees, exceeding this may cause output power derating.
- To avoid overheating, always make sure the flow of air around the inverter is not blocked. A minimum clearance of 300mm should be kept between inverters or objects and 500mm clearance between the bottom of the machine and the ground.

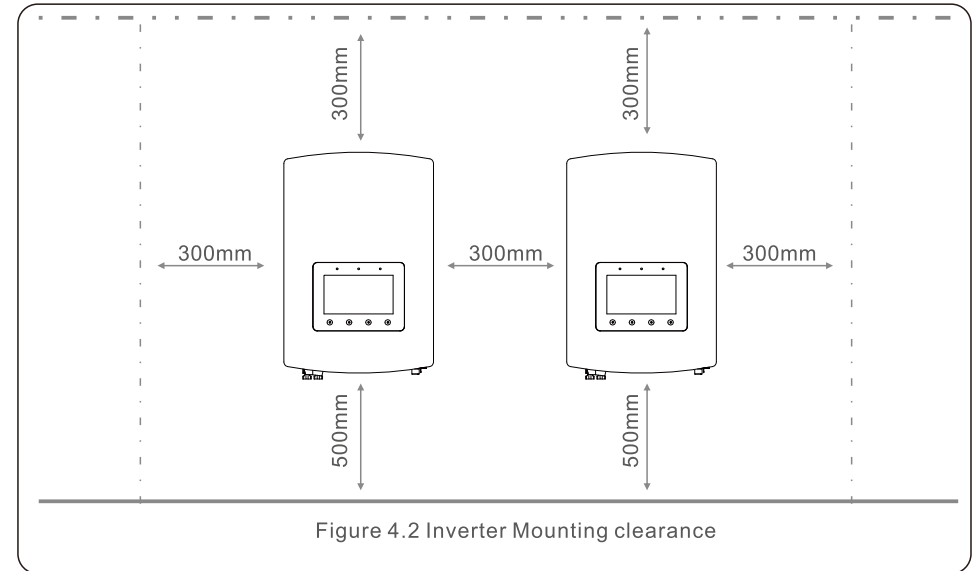


Figure 4.2 Inverter Mounting clearance

- Visibility of the LEDs and LCD should be considered.
- Adequate ventilation must be provided.



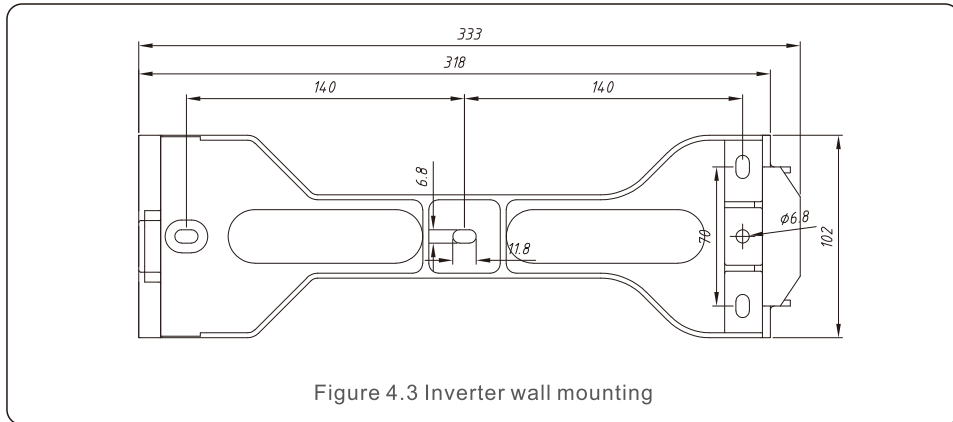
**NOTE:**

Nothing should be stored on or placed against the inverter.

# 4. Installation

## 4.2 Mounting the Inverter

Dimensions of mounting bracket:

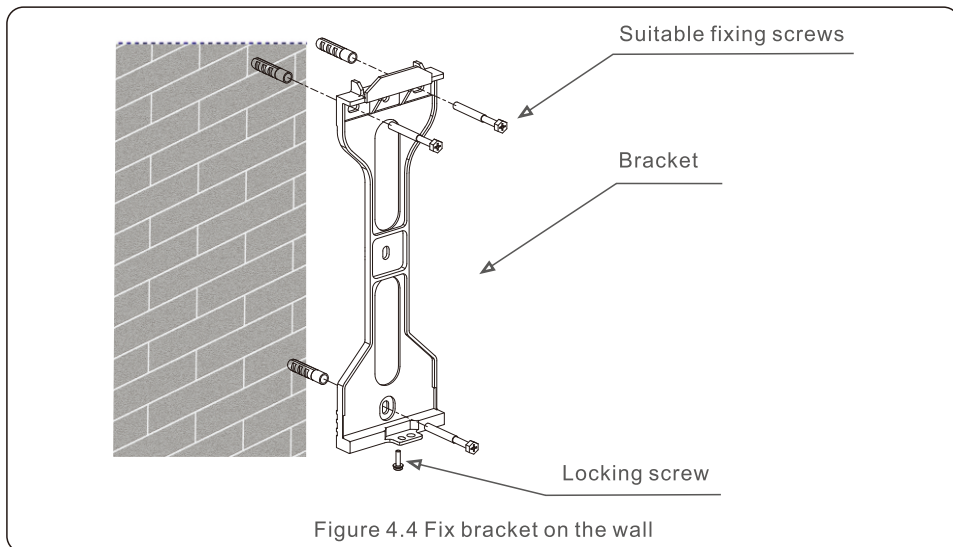


Once a suitable location has been found accordingly to 4.1 using figure 4.3 and figure 4.4 mount the wall bracket to the wall.

The inverter shall be mounted vertically.

The steps to mount the inverter are listed below:

1. Select the mounting height of the bracket and mark the mounting holes.  
For brick walls, the position of the holes should be suitable for the expansion bolts.



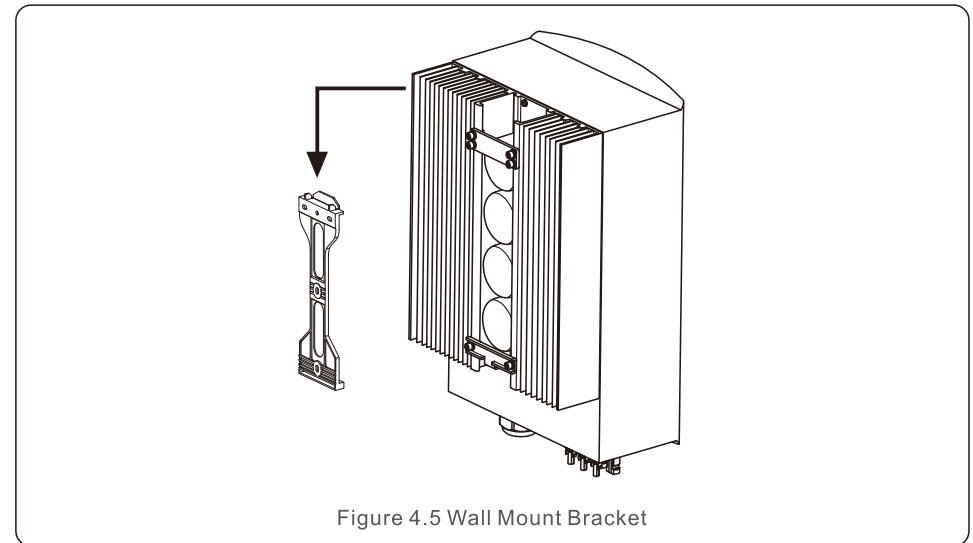
# 4. Installation



### WARNING:

The inverter must be mounted vertically.

2. Lift up the inverter (be careful to avoid body strain), and align the back bracket on the inverter with the convex section of the mounting bracket. Hang the inverter on the mounting bracket and make sure the inverter is secure (see Figure 4.5)



## 4.3 PV Input Terminal Assembly

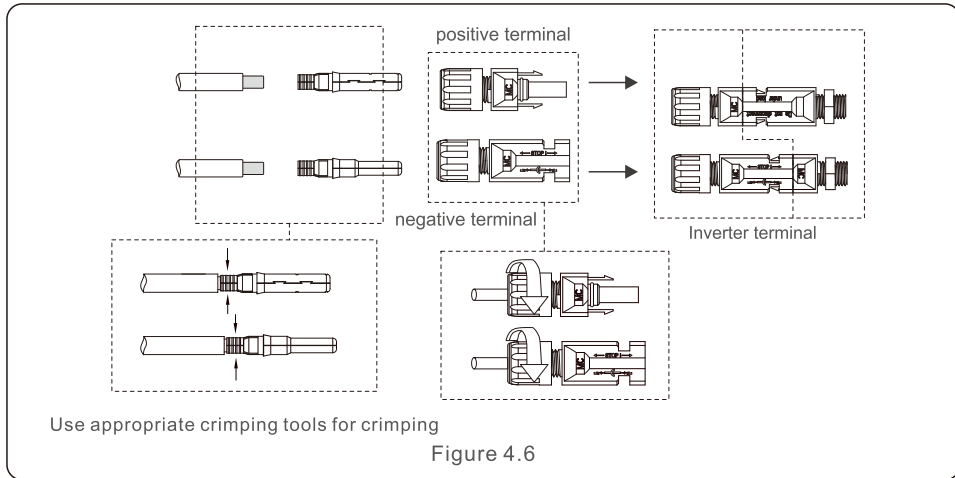
Please ensure the following before connecting the inverter:

- Make sure the voltage of the PV string will not exceed the max DC input voltage (600Vdc).  
Violating this condition will void the warranty.
- Make sure the polarity of the PV connectors are correct.
- Make sure the DC-switch, battery, AC-BACKUP, and AC-Grid are all in their off-states.
- Make sure the PV resistance to ground is higher than 20K ohms.

The Solis RHI series inverter uses the MC4 connectors. Please follow the picture below to assemble the MC4 connectors.

PV wire diameter requirements: 2.5~4mm<sup>2</sup>.

# 4. Installation



## 4.4 Battery Terminal Components

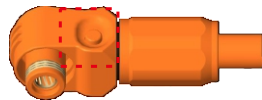
To avoid DC Arc, Solis recommends installing DC switch between batteries and Hybrid Inverter. (At least 65A)

- Ensure the correct polarity of batteries before connecting to the inverter.



**WARNING:**

Power cables use water-proof AMPHENOL connectors. When pull out the power cable, you must press the button as indicated in the right figure.



Connect the Battery cable to the inverter and make sure the positive and negative poles are correct. A "Click" sound means fully connection and fasten the cables with the terminal protection cover as indicated in Figure 4.7.

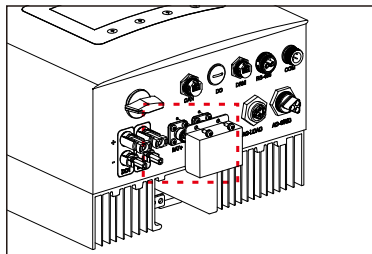


Figure 4.7 Installation of Terminal Protection Cover

# 4. Installation

## 4.5 Assembling the AC Connector

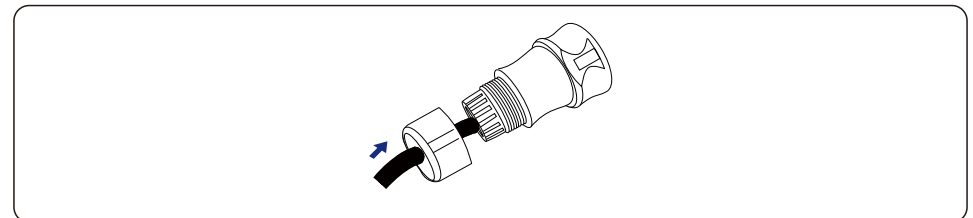
There are two AC terminals and the assembly steps for both are the same.

Take out the AC connector parts from the packaging.

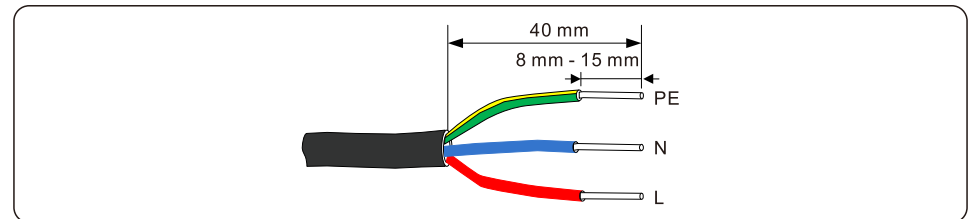
1. Make sure you use a cable within the correct specifications as shown in the image below.

Describe	Numerical value
Wire diameter	10~12mm
Traverse cross sectional area	2.5~6mm <sup>2</sup>
Exposure Length	12mm

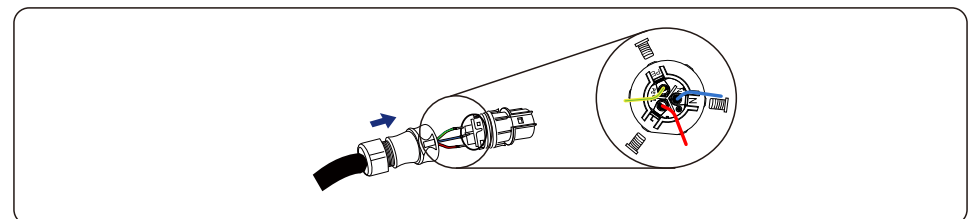
2. Lead the AC cable through the cable gland and the housing.



3. Remove a length of 40mm of the cable jacket and strip the wire insulation to a length of 8 – 15mm.



4. Each of the terminals are labeled. Ensure that the correct conductor is fastened (1.2 N.m. torque) to the correct terminal.



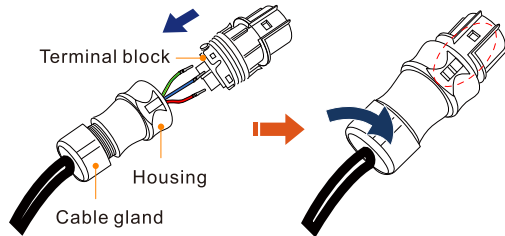
# 4. Installation



**WARNING:**

Observe the terminal layout of terminal block.  
Do not connect the phase lines to "PE" terminal, otherwise the inverter will not function properly.

5. Make sure the rib of the terminal block and the groove on the housing engage perfectly until a "click" is heard to felt.



## 4.6 Meter Installation

Solis RHI-(3-5)K-48ES series inverter integrated export power control function, this function need connect a single phase or 3-Phase power meter for export power controlling.

When use the single phase meter , please set meter model to " 1Ph Meter" , when use 3-Phase meter, please set meter model to " 3Ph Meter". ( refer 5.5.6.3 )

### 4.6.1 Single phase meter installation

Follow the image below to install the single phase Meter and CT clamp. The voltage connections for the meter must be connected to pins 1 and 4. The CT clamp is labeled for correct orientation.

# 4. Installation

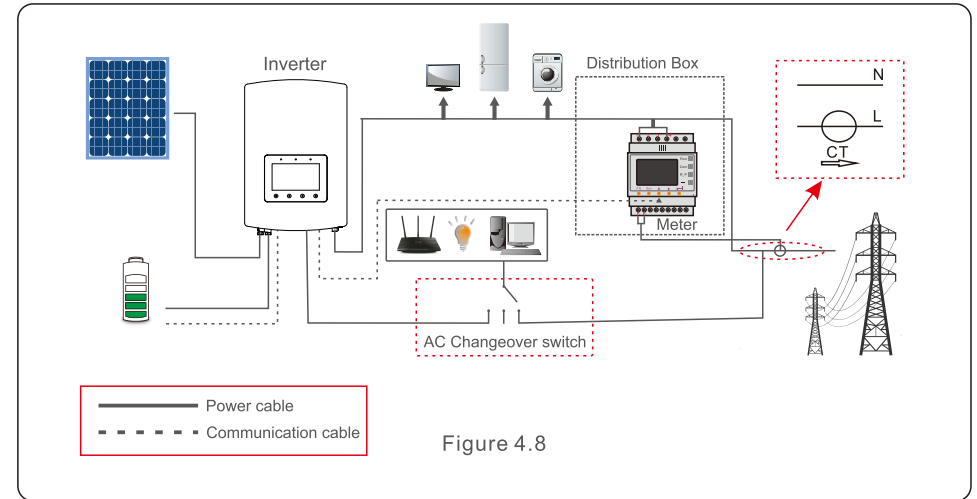


Figure 4.8

### 4.6.2 Three phase meter installation

Please follow below picture to install the 3-phase power meter and CT.  
Detailed connection please refer to the Appendix 9.2.

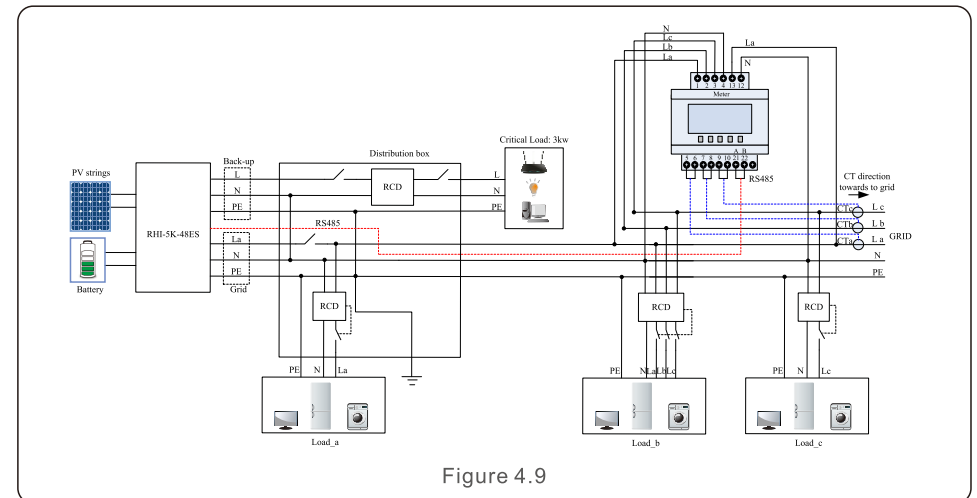


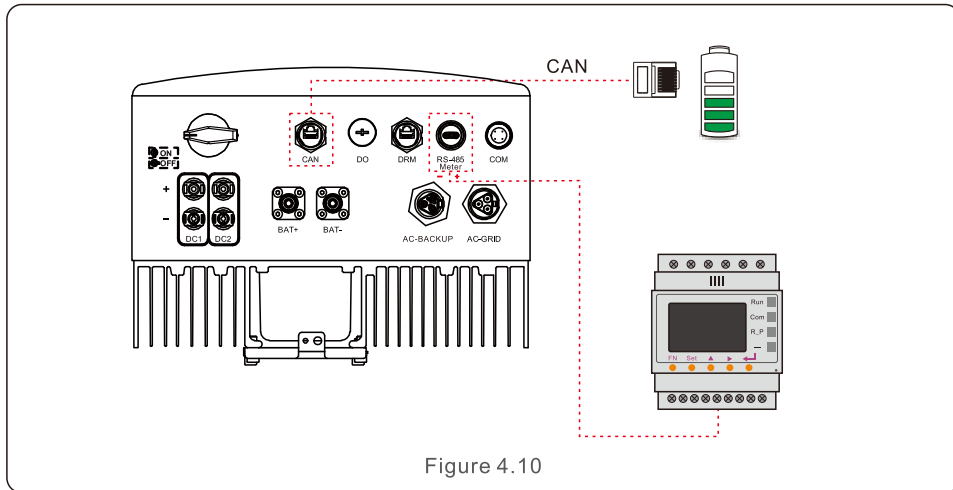
Figure 4.9

# 4. Installation

# 4. Installation

## 4.7 Communication Cable Assembly

The RHI series inverter uses RS485 cable to communicate with the Meter and CAN to communicate with the battery's BMS. The image below shows the assembly of the RS485/CAN communication cables.



**NOTE:**

The CAN cable enables the communication between the inverter and the Li-ion battery from BYD, Pylontech, LG, Dyness, Puredrive. Please check for latest model compatibility before installation.

### Procedure for connecting the CAN cable:

1. Take out the CAN cable (terminal marks 'CAN' on one end and 'to Battery' on the other end).
2. Unscrew the swivel nut from CAN port.
3. Insert the RJ45 terminal with CAN label into the CAN port, then fasten the swivel nut.
4. Connect the other end to the battery.



**NOTE:**

For CAN cable pin 4 (blue) and pin 5 (white-blue) are used for the communication.

### Procedure for connecting the RS485 cable:

1. Take out the RS485 cable (terminal marks 'RS485' on one end and 'to Battery' on the other end).
2. Unscrew the swivel nut from RS485 port.
3. Insert the Two-pin terminal with RS485 label into the RS485 port, then fasten the swivel nut.
4. Connect the other end to the Meter.

## 4.8 Logic interface connection (Only for UK)

Logic interface is required by G98 and G99 standard that can be operated by a simple switch or contactor. When the switch is closed the inverter can operated normally. When the switch is opened, the inverter will reduce it's output power to zero within 5s. Pin5 and Pin6 of RJ45 terminal is used for the logic interface connection.

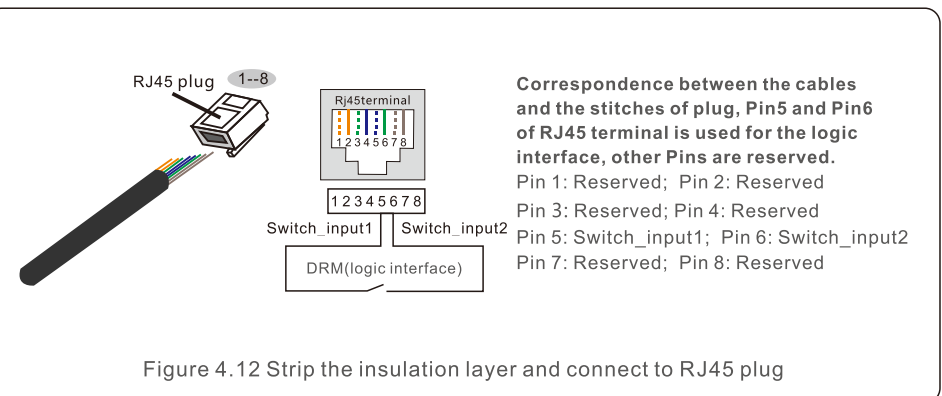
Please follow steps below to assemble DRM RJ45 connector.

1. Insert the network cable into the communication connection terminal of RJ45. (As shown in figure 4.11)



Figure 4.11 RJ45 communication connection terminals

2. Use the network wire stripper to strip the insulation layer of the communication cable. According to the standard line sequence of figure 4.12 connect the wire to the plug of RJ45, and then use a network cable crimping tool to make it tight.



**Correspondence between the cables and the stitches of plug, Pin5 and Pin6 of RJ45 terminal is used for the logic interface, other Pins are reserved.**  
 Pin 1: Reserved; Pin 2: Reserved  
 Pin 3: Reserved; Pin 4: Reserved  
 Pin 5: Switch\_input1; Pin 6: Switch\_input2  
 Pin 7: Reserved; Pin 8: Reserved

# 4. Installation

# 5. Operation

3.Connect RJ45 to DRM (logic interface) .



**NOTE:**

To use this function , please contact the manufacturer.

## 4.9 LED Indicates

There are three LED indicators on the RHI inverter (Red, Green, and Orange) which indicate the working status of the inverter.



Light	Status	Description
● POWER	ON	The inverter can detect DC power.
	OFF	No DC power.
● OPERATION	ON	The inverter is fully operational.
	OFF	The inverter has stopped operating.
	FLASHING	The inverter is initializing.
● ALARM	ON	Fault condition is detected.
	OFF	No fault condition detected.
	FLASHING	Either the grid or solar cannot be detected.

Table 4.1 Status Indicator Lights

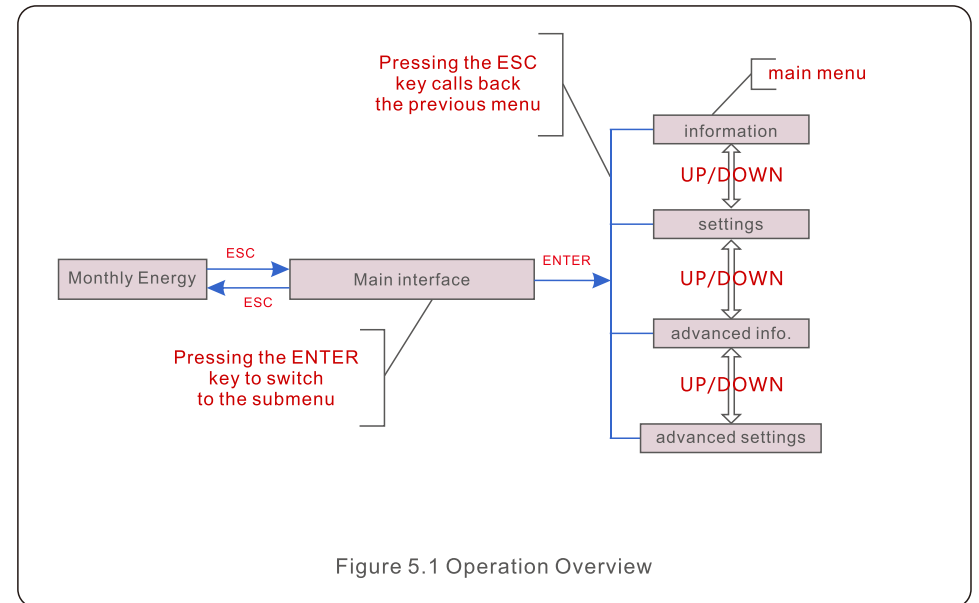


Figure 5.1 Operation Overview

## 5.1 Initial Display

When powering up the inverter for the first time, it is required to set the language. Press "ENT" to select.

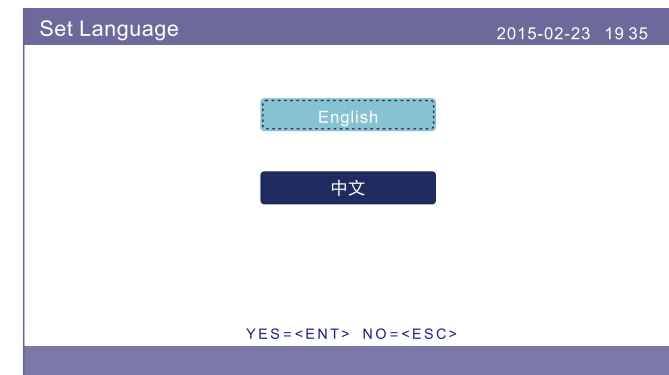


Figure 5.2 Set Language

After setting the language, press "ESC" to access the main page.

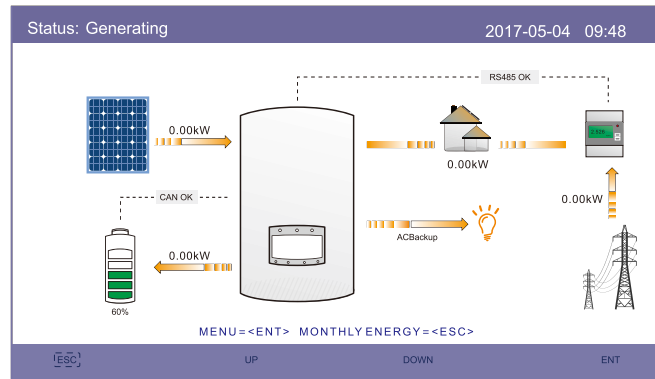


Figure 5.3 Main Page

On the main page,  
 Press "ESC" : View the yield data on a monthly bar charts. Then use "UP" and "DOWN" to change the date and "ENT" to move the cursor.  
 Press "UP" or "DOWN": View different status on the top left of the main page.  
 Press "ENT": Enter the main menu.

	Solar Power: When solar power is generated , an arrow indicates the direction of the power flow and the value is shown above the arrow.
	Battery: When the battery is connected successfully, it will display "CAN OK", meanwhile, battery SOC, arrow and value of power flow is shown. Otherwise, it will display "CAN Fail".
	Non-Critical Loads: Loads connected to the AC Grid port which will shutdown if the grid is in malfunction.
	Smart Meter: When the smart meter is connected successfully, it will display "RS485 OK", otherwise "RS485 Fail".
	Critical Loads: Loads connected to the AC Backup port which will be supported by battery and solar even if the grid is in malfunction.
	Grid: The arrow and value indicate the export/import power of the hybrid system.

## 5.2 Main Menu

There are four submenu in the Main Menu:

1. Information
2. Settings
3. Advanced Information
4. Advanced Settings

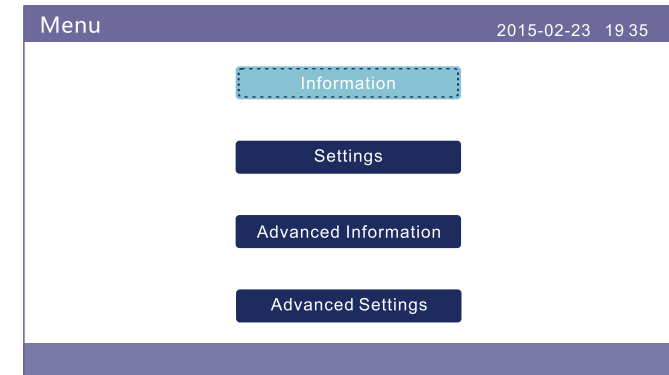


Figure 5.4 Main Menu

## 5.3 Information

In the "Information" section, operating data and information can be viewed. Three pages of information can be checked by press "UP" or "DOWN". The example display is shown in the following Figure 5.5, 5.6 and 5.7. Values are for reference only.

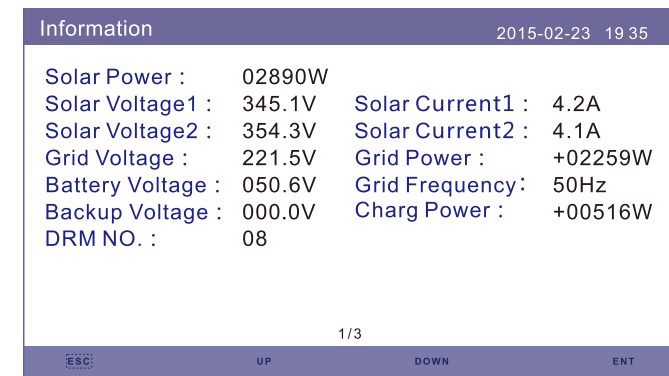


Figure 5.5 Information Page 1



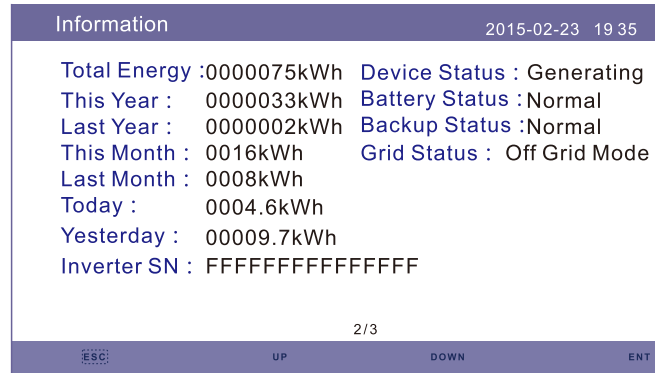


Figure 5.6 Information Page 2

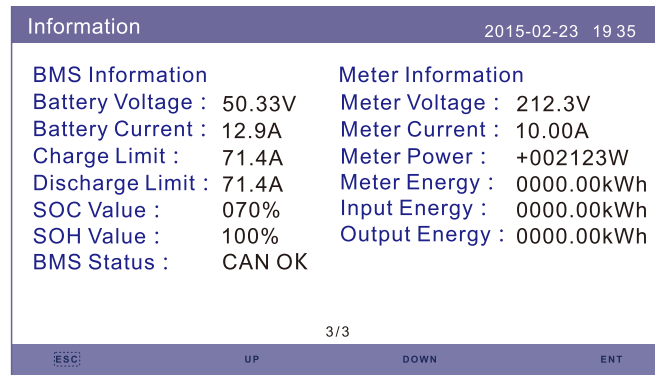



Figure 5.7 Information Page 3



**NOTE:**  
 Meter Power/Grid Power: Positive value indicates exporting power to the grid, negative value indicates importing power from the grid  
 Charge Power: Positive value indicates charging, negative value indicates discharging.

## 5.4 Settings

In the "Settings" section, Time/Date, Slave address and language can be modified.

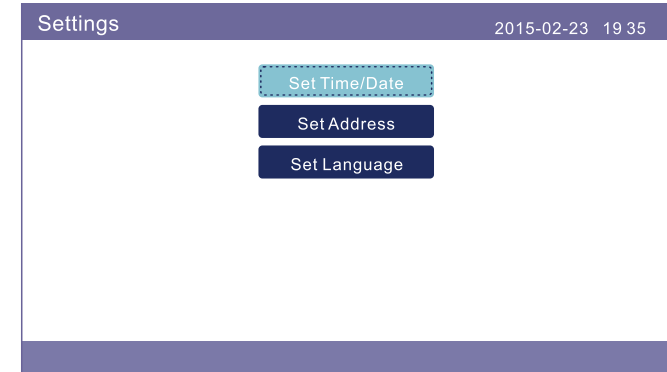


Figure 5.8 Setting

### 5.4.1 Set Time/Date

Set the time and date on the inverter. Must set this according to local time as it affects the daily yield calculation. (If Solis monitoring system is used, must set the correct time zone of the system, otherwise datalogger will update the inverter time based on the time zone of the system.)

Press "UP" and "DOWN" to change the value.

Press "ENT" to mover the cursor.

Press "ESC" to save the change.

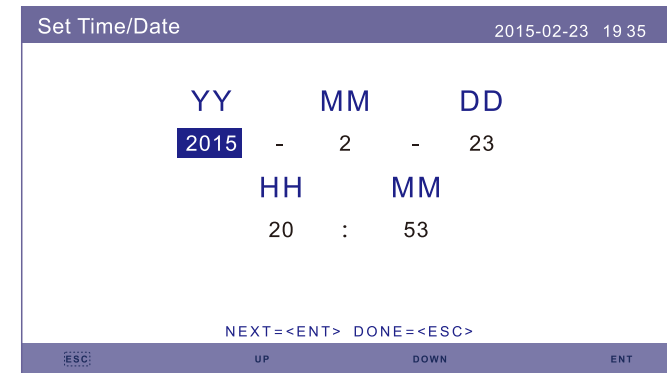


Figure 5.9 Set Time

## 5.4.2 Set Address

Set the slave address of the inverter. The default address is 01.



Figure 5.10 Set Address

## 5.4.3 Set Language

Set system language. Chinese and English are available.

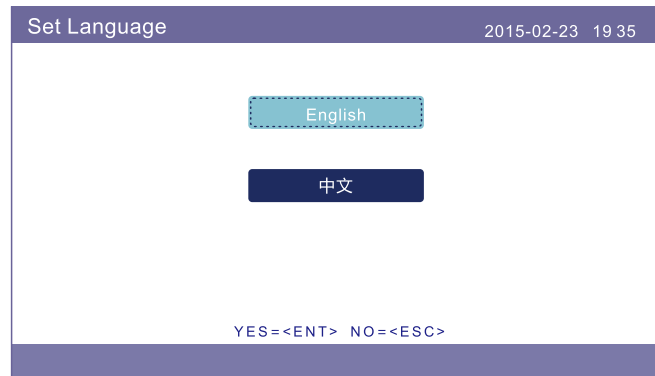


Figure 5.11 Set Language

## 5.5 Advanced Information

Detailed information can be viewed in this section:

1. Alarm Message
2. Running Message
3. Version
4. Communication Data.
5. Daily Energy
6. Monthly Energy
7. Yearly Energy
8. Total Energy.
9. Warning Message

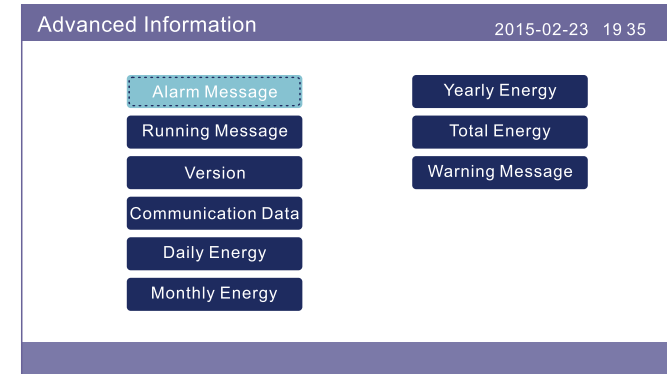


Figure 5.12 Advanced Information

### 5.5.1 Alarm Message

40 pages of latest alarm messages (5 per page). Alarm message shows the alarm that will lead to inverter shutdown.

The screenshot shows a table titled 'Alarm Message' with a timestamp of '2015-02-23 19:35'. The table has three columns: 'Message', 'Date/Time', and 'Date'. It lists five 'NO-Grid' alarm entries. At the bottom of the table, it shows '01/40'. Navigation options 'ESC', 'UP', 'DOWN', and 'ENT' are visible at the bottom of the screen.

Message	Date/Time	Date
NO-Grid	02-23 19:35	0000
NO-Grid	02-23 19:34	0000
NO-Grid	02-23 19:34	0000
NO-Grid	02-23 19:24	0000
NO-Grid	02-23 18:22	0000

Figure 5.13 Alarm Message

# 5. Operation

## 5.5.2 Running Message

This function is for maintenance person to get running message such as internal temperature, Standard NO. etc.(Values are for reference only.).

Running Message		2015-02-23 19 35
DC Bus Voltage :	410.7V	
Reactive Power Ratio :	+1.00	
Output Power Limit :	100%	
Control Word Status :	0000H	
Inverter Temperature :	+0031.6degC	
Standard :	G59/3	
Grid Filter NO. :	00	
Ground Voltage :	000.0V	
Battery Enable :	Disable	

Figure 5.14 Running Message

## 5.5.3 Version

Inverter model number and software version can be viewed in this section. Values are for reference only..

Version		2015-02-23 19 35
Model :	F8	
Software Ver. :	140000	

Figure 5.15 Model Version and Software Version

# 5. Operation

## 5.5.4 Communication Data

Internal communication data can be viewed in this section. For maintenance person only. Values are for reference only.

Communication Data		2015-02-23 19 35
01-10 :	86 61 A1 00 01 50 8A 06 1E 00	
11-20 :	D5 05 1E 00 00 00 00 00 00 00	
21-30 :	00 00 00 00 00 00 00 00 00 00	
31-40 :	09 02 00 00 00 00 B8 10 C0 00	
41-50 :	20 5C 80 01 00 00 43 00 07 02	
51-60 :	01 00 04 00 6D 04 E6 05 01 00	
61-70 :	DC 05 1E 00 59 06 1E 00 D4 03	
71-80 :	10 27 00 00 00 00 00 00 00 00	
81-90 :	00 00 00 00 00 00 60 00 00 00	

Figure 5.16 Communication Data

## 5.5.5 Daily Energy

The screen shows the daily energy detail of the inverter.

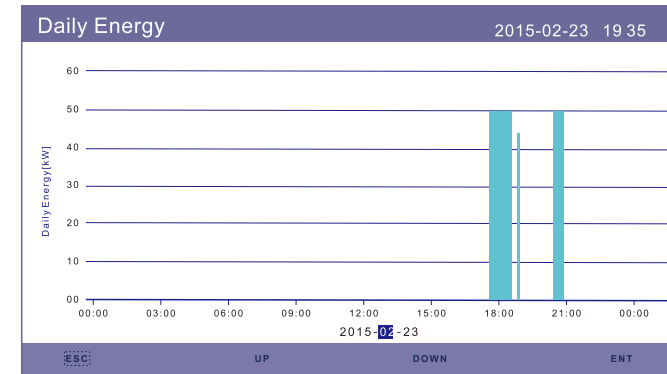


Figure 5.17 Daily Energy

# 5. Operation

# 5. Operation

## 5.5.6 Monthly Energy

The screen shows the inverter monthly energy detail of different month.

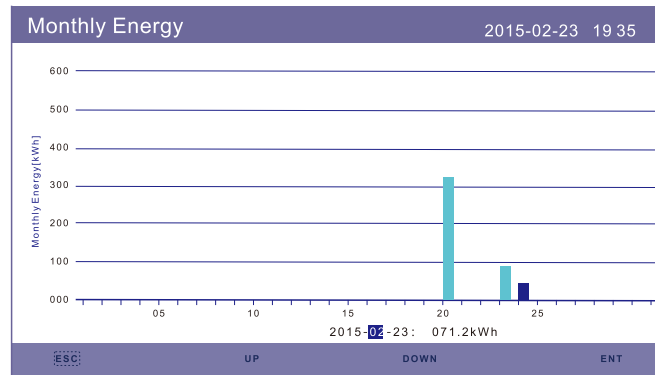


Figure 5.18 Monthly Energy

## 5.5.7 Yearly Energy

The screen shows the inverter yearly energy detail of different year.

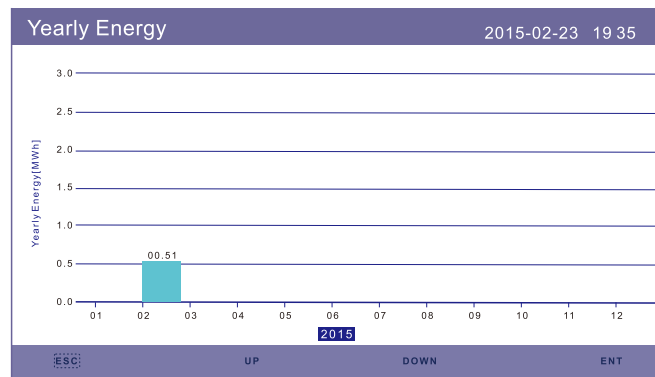


Figure 5.19 Yearly Energy

## 5.5.8 Total Energy

The screen shows the inverter total energy detail.

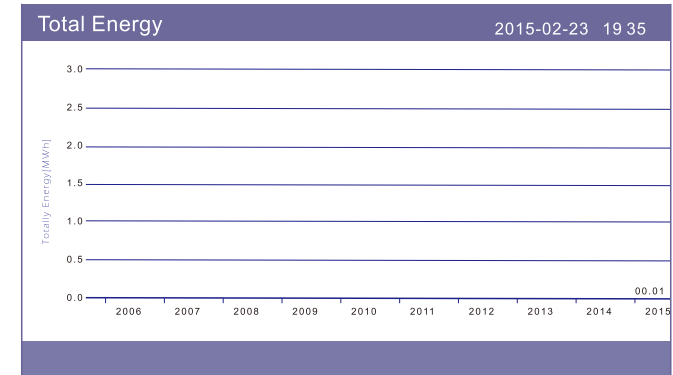


Figure 5.20 Total Energy

## 5.5.9 Warning Message

10 pages of latest warning messages (5 per page).

Warning message shows the warning that is abnormal but will not lead to inverter shutdown.

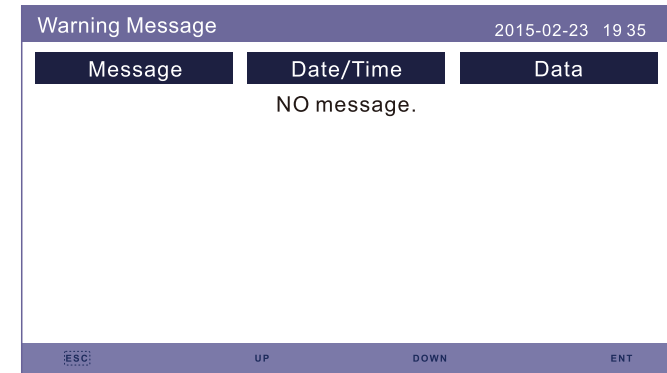


Figure 5.21 Warning Message

# 5. Operation

## 5.6 Advanced Settings - Technicians Only



**NOTE:**

This function is for authorised technicians only. Improper access and operation may result in abnormal results and damage to the inverter.  
Password required – restricted access – authorised technicians only  
Un-authorized access may void the warranty.

Select Advanced Settings from main menu, the LCD screen show the password is needed:

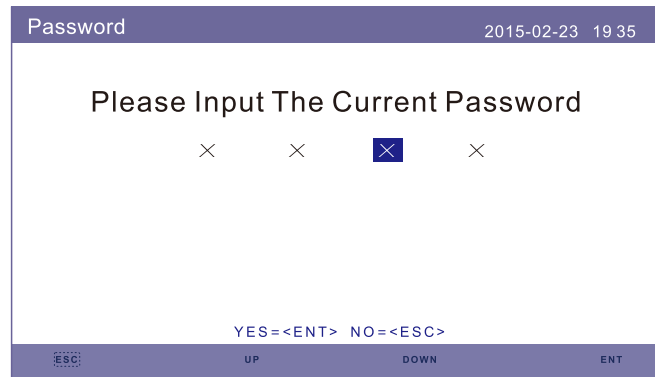


Figure 5.22 Enter Password

Press "DOWN" to move the cursor.  
Press "UP" to change the number.  
Press "ENT" to enter the restricted section.

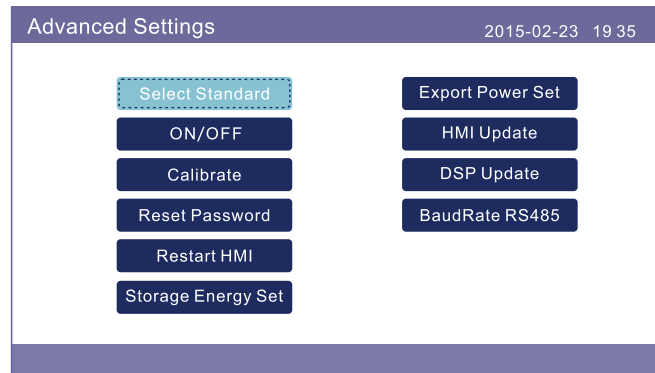


Figure 5.23 Advanced Settings

# 5. Operation

## 5.6.1 Select Standard

This function is used to select corresponding grid standards.  
Please refer to the actual LCD setting for the grid standard options.



Figure 5.24 Select Standard

Press "UP" and "DOWN" to go through the list.  
Press "ENT" to check the parameters, press "ENT" again to select the standard.

## 5.6.2 ON/OFF

This function is used to start or stop the generation of the inverter.

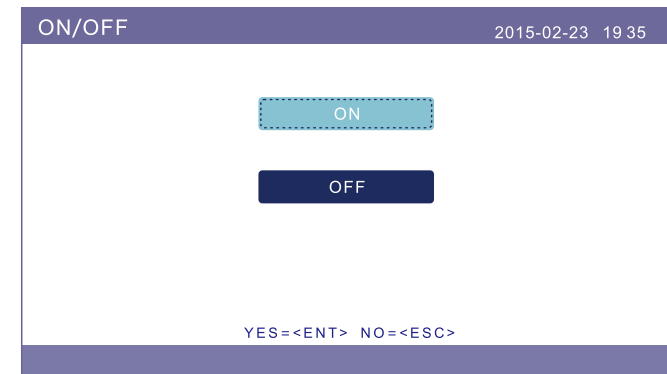


Figure 5.25 Set ON/OFF

## 5.6.3 Calibrate

Warranty or maintenance may result in resetting total generating data, this function allow the maintenance personnel to amend the total generating data of replacement inverter to the original one.

By using our data monitoring hardware, the data on monitoring website can automatically synchronize with the preset total generating power of inverter.

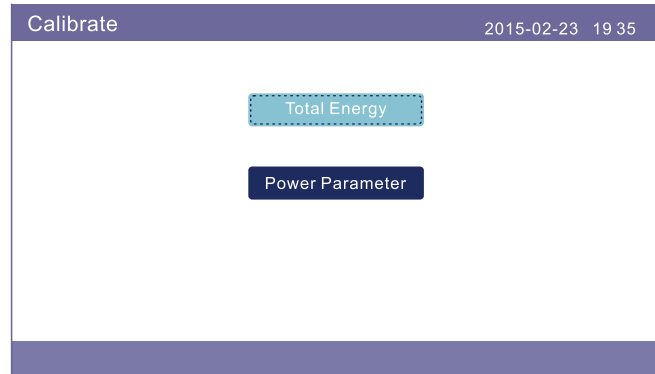


Figure 5.26 Calibrate

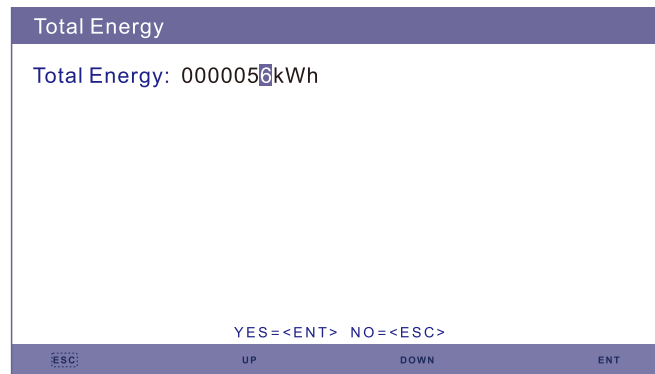


Figure 5.27 Total Energy

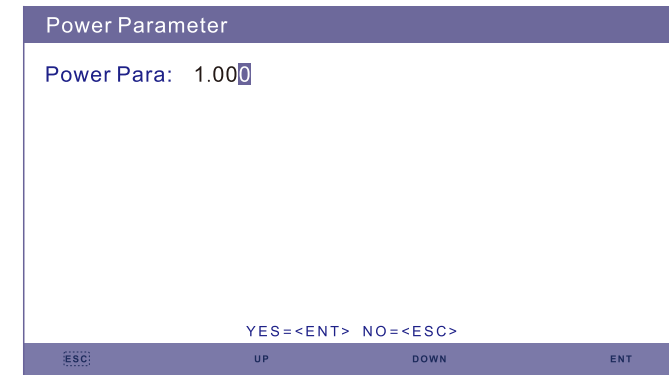


Figure 5.28 Power Parameter

## 5.6.4 Reset Password

Reset Password: In this page, user can reset the inverter password, but the admin password is always valid.

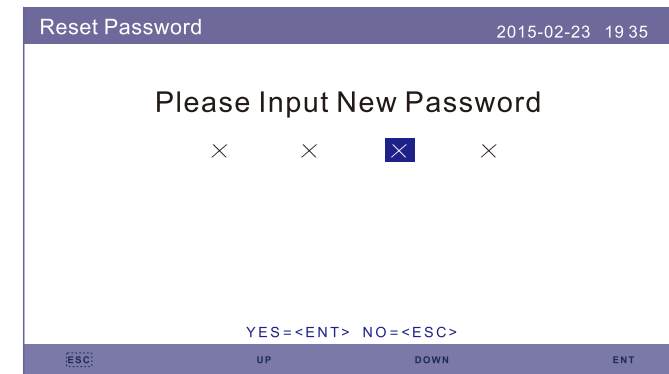


Figure 5.29 Reset Password

# 5. Operation

## 5.6.5 Restart HMI

This function is to reboot the LCD screen.

## 5.6.6 Storage Energy Set

This section contains working mode setting, battery control setting, etc.

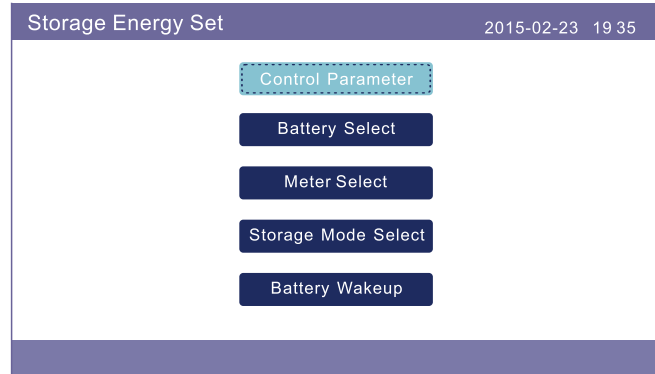


Figure 5.30 Storage Energy set

### 5.6.6.1 Control Parameter

Enter the Control Parameter menu as shown below:

Don't change the settings without the permission of technicians.

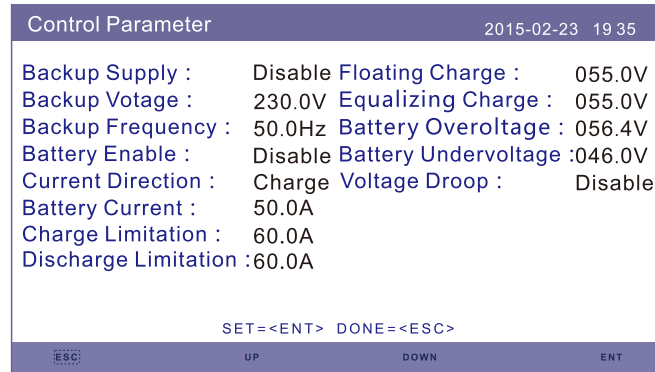


Figure 5.31 Control Parameter

# 5. Operation

## 5.6.6.2 Battery Select

This product is compatible with the following battery modules:

Brand	Model	Setting
BYD	Box Pro 2.5-13.8	Select "B-BOX-LV"
LG	RESU 3.3/6.5/10/13	Select "LG Chem LV"
Pylontech	US2000/US3000	Select "Pylon LV"
Dyness	B4850	Select "Dyness LV"
Puredrive	48V-100Ah	Select "Puredrive LV"

If hybrid inverter is not connected to a battery, select "No Battery" to avoid alarms.

For above compatible battery modules, Only two parameters need to be defined:

\* OverDischg SOC (10%~40%, default 20%)

--Inverter will not discharge the battery when the OverDischg SOC is reached.

Battery self-discharge is unavoidable, SOC may go lower than the limit if the battery can't get charged for a long period of time.

\* ForceCharge SOC (5%~OverDischg SOC, default 10%)

--To prevent the battery going into sleep mode, when the ForceCharge SOC is reached, inverter will charge the battery using the power from either PV or Grid.

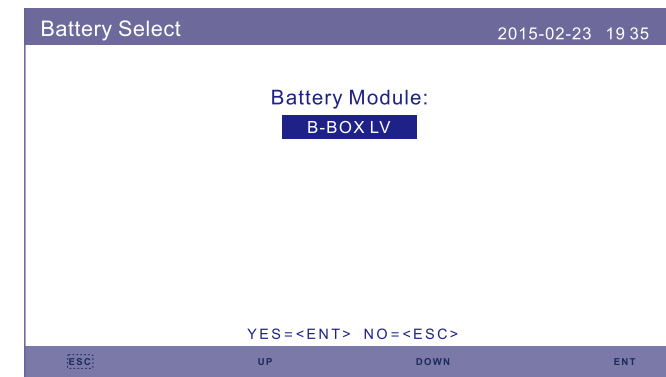


Figure 5.32 Battery Select

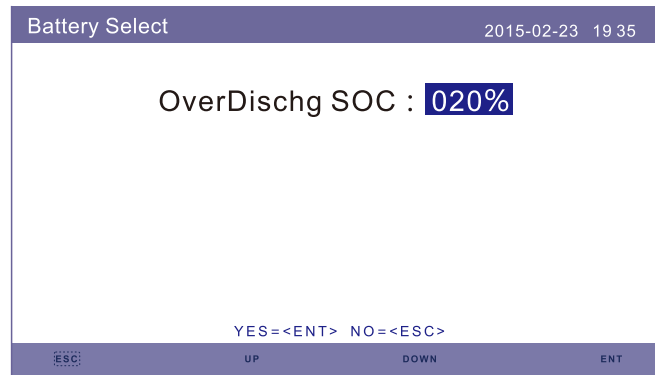


Figure 5.33 Over Discharge SOC.

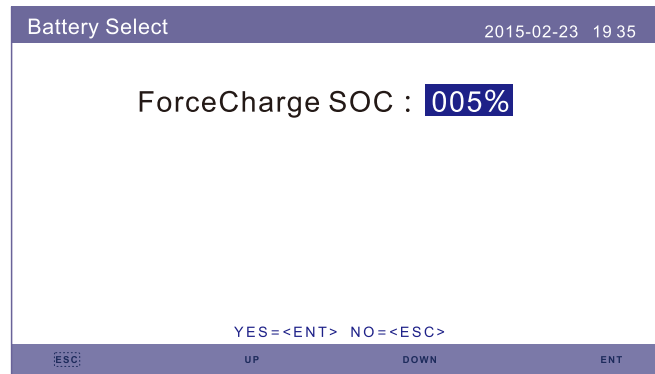


Figure 5.34 ForceCharge SOC

### 5.6.6.3 Meter Select

This setting is used to select the meter type based on the actual configuration. Both single phase meter and three phase meter can be equipped with this hybrid inverter. Detailed configuration please refer to 4.6.1 and 4.6.2.

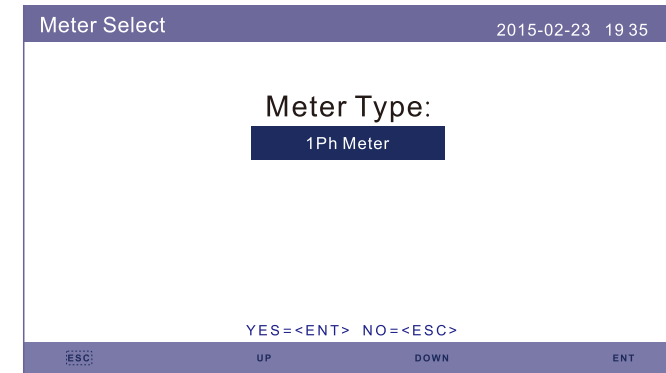


Figure 5.35 Meter Select

### 5.6.6.4 Storage Mode Select

Detailed mode description please refer to 9.4(Working Mode Description).

There are three optional modes:

- 1. Time Charging
- 2. Off-grid Mode
- 3. Reserve Battery

The default mode is called "AUTO" mode (which is not shown and can't be selected).

The "AUTO" mode logic is: Store excess PV energy into the battery and then use it to support loads instead of exporting to the grid. (Maximize system self-consumption rate).

To change back to the default mode, simply set all the other modes as OFF.

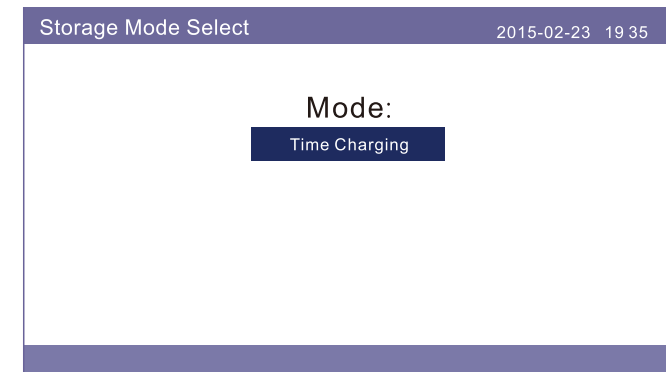


Figure 5.36 Storage Mode Select



## Time Charging Mode:

"Optimal Income" is the switch to turn on/off the Time Charging Mode.

Customer can define the charge/discharge current as well as when to charge/discharge the battery.

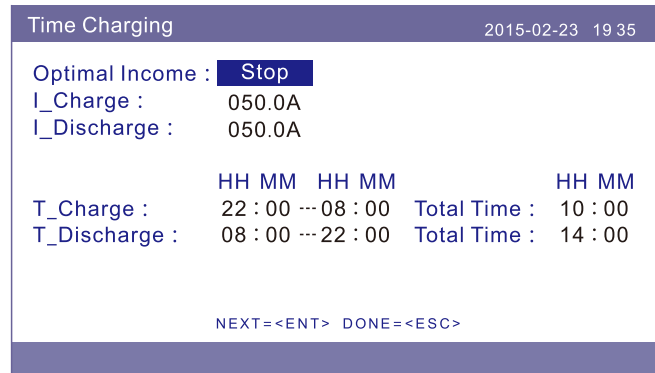


Figure 5.37 Time Charging

## Off Grid Mode:

Enable the mode for off-grid systems.

The AC Grid Port must be physically disconnected.

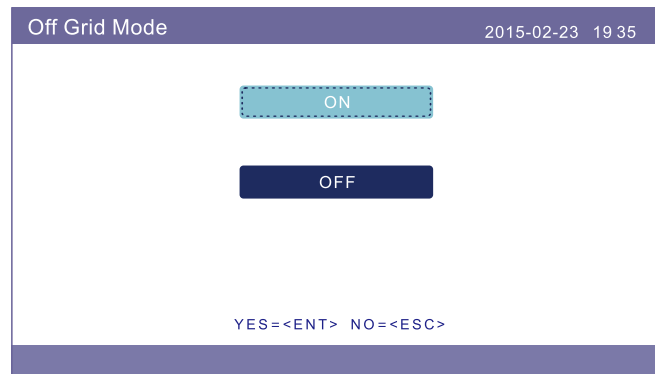


Figure 5.38 Off-Grid Mode

## Reserve Battery Mode:

When turn on the "reserve battery mode", a SOC value needs to be defined.

The inverter will keep the battery SOC not lower than the setting value during normal operation. Only discharge the rest of the battery energy during emergency case to support the loads on AC backup port(Grid malfunction).

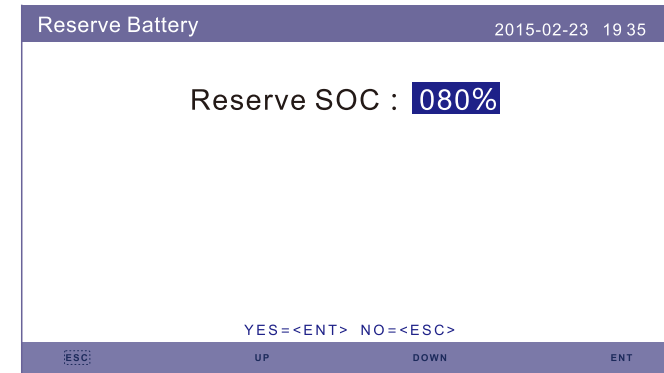


Figure 5.39 Reserve Battery

### 5.6.6.5 Battery Wakeup

This function should be activated only after the installation. In the case of a low battery voltage shutdown, the inverter will shut-down. This setting can be enabled, so when the inverter detects PV or grid it wakes up the battery. This function conflicts with the battery reverse polarity protection( If the installer connects cables with wrong polarity, the inverter can protect itself from damage).To avoid the possible damage during installation, do not active battery wakeup function before finishing the first commissioning.

## 5.6.7 Export power Set

This function is to set the export power control.

1.Backflow Power. 2. ON/OFF. 3.Failsafe ON/OFF

Setting 1&3 are only valid when Setting 2 is set to "ON"

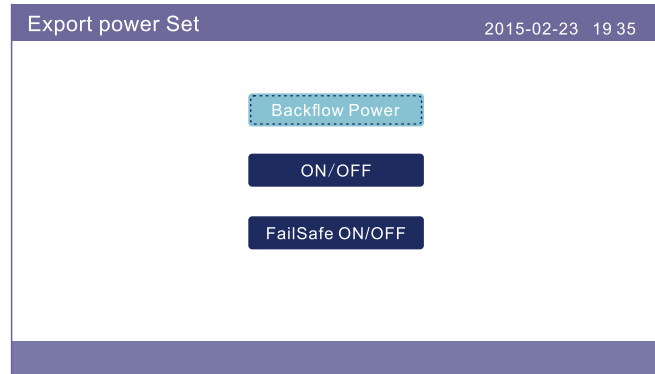


Figure 5.40 Export power Set

## 5.6.7.1 Backflow Power

Determine the allowed backfeed power. (System export to the grid)

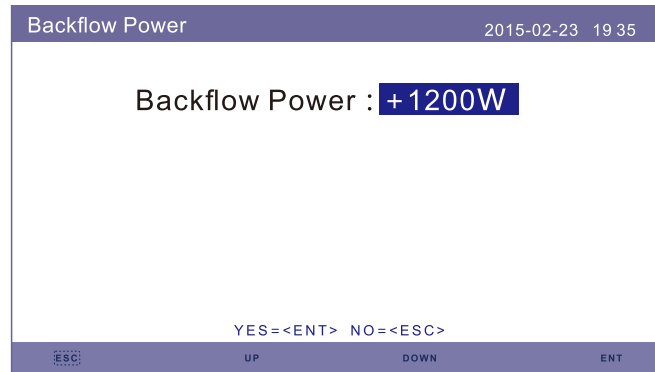


Figure 5.41 Backflow Power

## 5.6.7.2 ON/OFF

Enable/Disable the function.

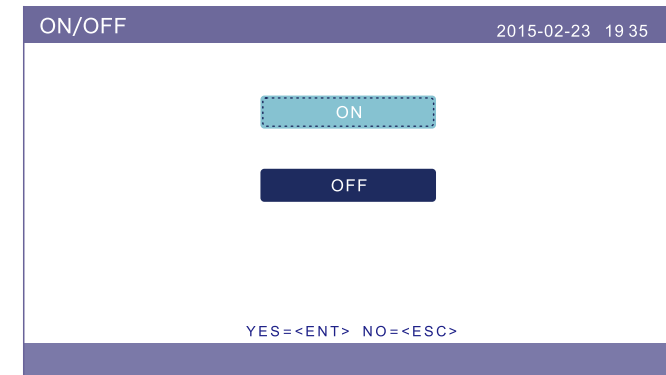


Figure 5.42 ON/OFF

## 5.6.7.3 FailSafe ON/OFF

When this Failsafe function is ON, the inverter will shutdown once it loses communication with the meter in case of any backflow power exceeding the limit.

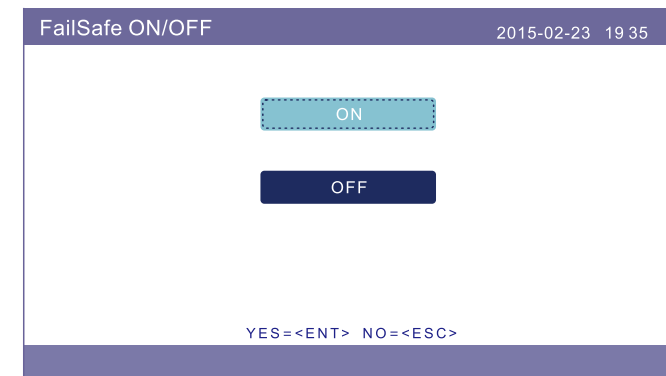


Figure 5.43 FailSafe ON/OFF

## 5.6.8 HMI Update

This function is used to update HMI software.  
Values are for reference only.

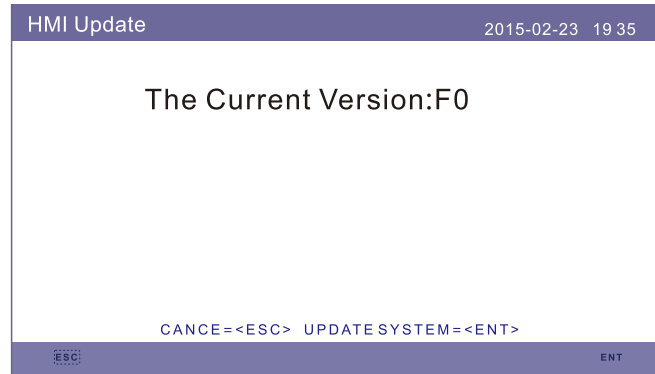


Figure 5.44 HMI Update

## 5.6.9 DSP Update

This function is used to update DSP software.  
Values are for reference only.

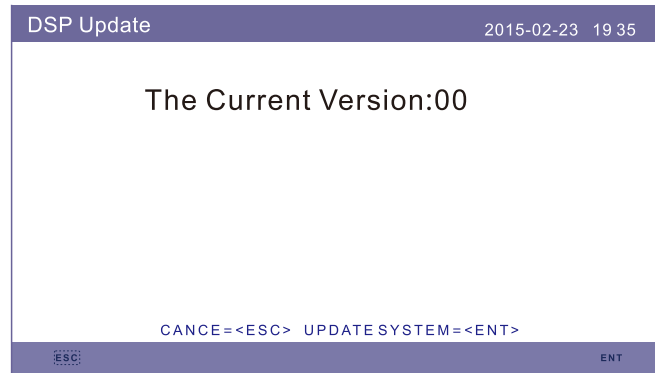


Figure 5.45 DSP Update

## 5.6.10 BaudRate RS485

This function is to change the internal communication Baudrate.

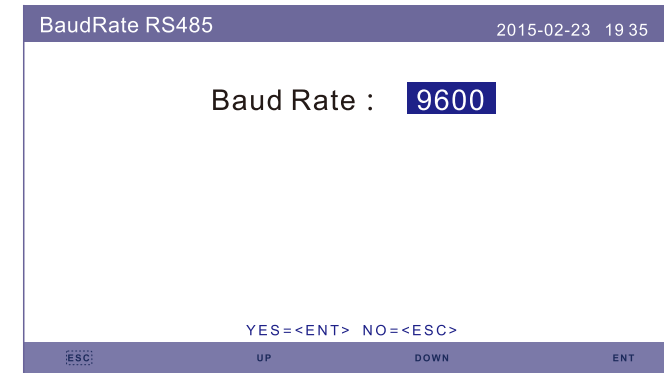


Figure 5.46 BaudRate RS485



### **WARNING:**

This function is for maintenance personnel only, wrong operation will prevent the inverter from working properly.

# 6. Commissioning

## 6.1 Preparation of Commissioning

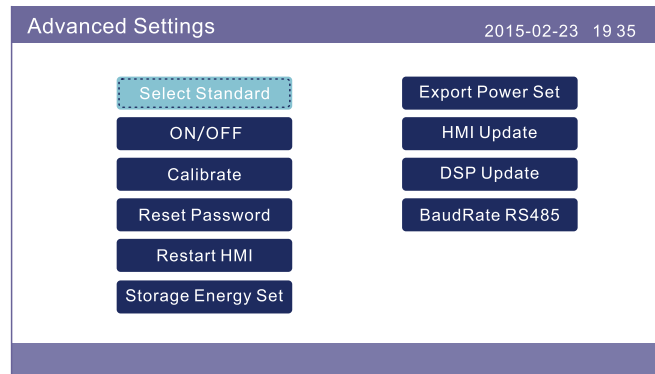
- Ensure all the devices are accessible for operation, maintenance and service.
- Check and confirm that the inverter is firmly installed.
- Space for ventilation is sufficient for one inverter or multiple inverters.
- Nothing is left on the top of the inverter or battery module.
- Inverter and accessories are correctly connected.
- Cables are routed in safe place or protected against mechanical damage.
- Warning signs and labels are suitably affixed and durable.

## 6.2 Commissioning Procedure

If all the items mentioned above meet the requirements, proceed as follows to start up the inverter for the first time.

### 6.2.1 Switch on the AC-backup and AC-grid.

### 6.2.2 Follow the picture below to select grid standard.



### 6.2.3 Refer to “Part 5” to configure the parameters.

### 6.2.4 Switch on the DC circuit breaker between inverter and battery.

### 6.2.5 (Optional) When the battery equipped is Pylon Li-ion Battery, or BYD battery, turn on the switch on the battery manually.

### 6.2.6 The relay will make 'clicking' sounds and it will take a short-time to work automatically.

### 6.2.7 The system will work properly.

# 7. Troubleshooting

Solis RHI Series inverter does not require any regular maintenance. However, cleaning the heatsink will help inverter dissipating heat and increase the lifetime of inverter. The dirt on the inverter can be cleaned with a soft brush.



**CAUTION:**

Do not touch the surface when the inverter is operating. Some parts may be hot and cause burns. Turn OFF the inverter (refer to Section 6.2) and let it cool down before you do any maintenance or cleaning of inverter.

The LCD and the LED status indicator lights can be cleaned with cloth if they are too dirty to be read.



**Note:**

Never use any solvents, abrasives or corrosive materials to clean the inverter.

The inverter has been designed in accordance with international grid tied standards for safety, and electromagnetic compatibility requirements. Before delivering to the customer the inverter has been subjected to several test to ensure its optimal operation and reliability.

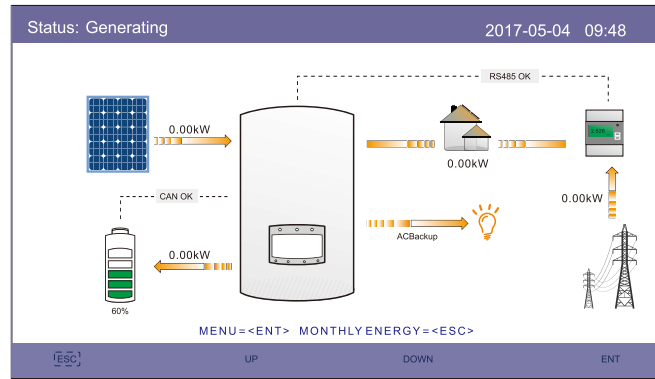
In case of a failure the LCD screen will display an alarm message. In this case the inverter may stop feeding energy into the grid. The alarm descriptions and their corresponding alarm messages are listed in Table 7.1:

# 7. Troubleshooting

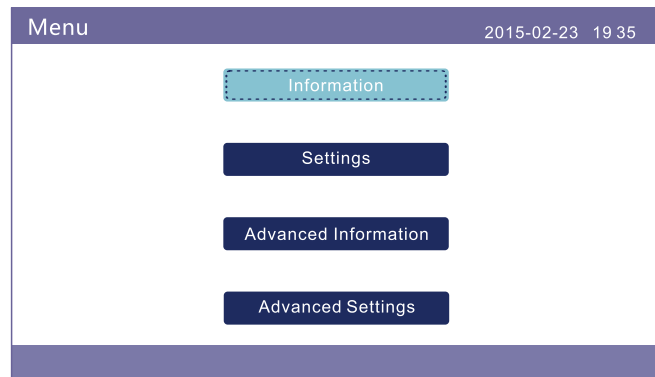
When faults occur, the "Fault" state will be shown on the main screen.  
Follow the steps below to check what fault occurs.

Steps: Enter → Down → Advanced Information → Enter → Alarm Message.

Step1: Press ENTER.

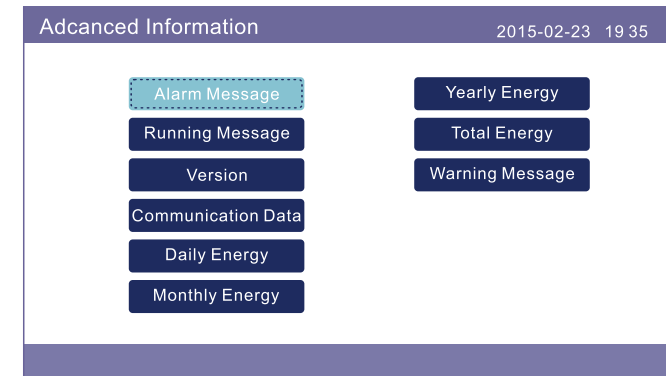


Step2: Press DOWN to select Advanced Information, then press ENTER.



# 7. Troubleshooting

Step3: Press DOWN to select Alarm Message, then press ENTER.



# 7. Troubleshooting

Alarm Message	Failure description	Solution
ARC-FAULT	ARC detected in DC circuit	1. Check if there's arc in PV connection and restart inverter.
AFCI Check FAULT	AFCI module self check fault	1. Restart inverter or contact installer.
DCinj-FAULT	High DC injection current	1. Restart inverter or contact installer.
DSP-B-FAULT	Comm. failure between main and slave DSP	1. Restart inverter or contact installer.
DC-INTF	DC input overcurrent	1. Restart inverter. 2. Identify and remove the string to the fault MPPT. 3. Change power board.
G-IMP	High grid impedance	1. Use user define function to adjust the protection limit if it's allowed by electrical company.
GRID-INTF01/02	Grid interference	1. Restart inverter. 2. Change power board.
IGBT-OV-I	Over IGBT current	1. Restart inverter or contact installer.
IGFOL-F	Grid current tracking fail	1. Restart inverter or contact installer.
IG-AD	Grid current sampling fail	1. Restart inverter or contact installer.
ILeak-PRO 01/02/03/04	leakage current protection	1. Check AC and DC connection. 2. Check inverter inside cable connection.
INI-FAULT	Initialization system fault	1. Restart inverter or contact installer.
LCD show initializing all the time	Can not start-up	1. Check if the connector on main board or power board are fixed. 2. Check if the DSP connector to power board are fixed.
NO-Battery	Unconnected battery	1. Check the wire of battery power is connected correctly or not. 2. Check the output voltage of battery is correctly or not.
No power	Inverter no power on LCD	1. Check PV input connections. 2. Check DC input voltage (single phase >120V, three phase >350V). 3. Check if PV+/- is reversed.
NO-GRID	No grid voltage	1. Check connections and grid switch. 2. Check the grid voltage inside inverter terminal.
OV-BUS	Over DC bus voltage	1. Check inverter inductor connection. 2. Check driver connection.

# 7. Troubleshooting

Alarm Message	Failure description	Solution
OV-DC01/02/03/04	Over DC voltage	1. Reduce the module number in series.
OV-DCA-I	DC input overcurrent	1. Restart inverter. 2. Identify and remove the string to the fault MPPT. 3. Change power board.
OV-G-V01/02/03/04	Over grid voltage	1. Resistant of AC cable is too high. Change bigger size grid cable. 2. Adjust the protection limit if it's allowed by electrical company.
OV-G-I	Over grid current	1. Restart inverter. 2. Change power board.
OV-G-F01/02	Over grid frequency	1. Use user define function to adjust the protection limit if it's allowed by electrical company.
OV-IgTr	AC side transient overcurrent	1. Restart inverter. 2. Return-factory repair.
OV-ILLC	LLC hardware overcurrent	
OV-VBackup	Bypass overvoltage fault	
OV-TEM	Over Temperature	1. Check inverter surrounding ventilation. 2. Check if there's sunshine direct on inverter in hot weather.
OV-Vbatt1	The detection of battery overvoltage	1. Check the protect point for over voltage sets correctly or not. 2. Restart inverter.
OV-Vbatt-H	Battery overvoltage hardware fault	1. Check the circle whether the circuit for battery power jumps. 2. Restart inverter.
Over-Load	Bypass overload fault	1. Check the load of Backup port is over 3kw or not. 2. Reduce the load of Backup port, then restart inverter.
PV ISO-PRO01/02	PV isolation protection	1. Remove all DC input, reconnect and restart inverter one by one. 2. Identify which string cause the fault and check the isolation of the string.
RelayChk-FAIL	Relay check fail	1. Restart inverter or contact installer.

# 7. Troubleshooting

Alarm Message	Failure description	Solution
UN-BUS01/02	Under DC bus voltage	1. Check inverter inductor connection. 2. Check driver connection.
UN-G-F01/02	Under grid frequency	1. Use user define function to adjust the protection limit if it's allowed by electrical company.
UN-G-V01/02	Under grid voltage	
12Power-FAULT	12V power supply fault	1. Restart inverter or contact installer.

Table 7.1 Fault message and description



**NOTE:**

If the inverter displays any alarm message as listed in Table 7.1; please turn off the inverter and wait for 5 minutes before restarting it. If the failure persists, please contact your local distributor or the service center.

Please keep ready with you the following information before contacting us.

1. Serial number of Solis Single Phase Inverter;
2. The distributor/dealer of Solis Single Phase Inverter (if available);
3. Installation date.
4. The description of problem (i.e. the alarm message displayed on the LCD and the status of the LED status indicator lights. Other readings obtained from the Information submenu (refer to Section 6.2) will also be helpful.);
5. The PV array configuration (e.g. number of panels, capacity of panels, number of strings, etc.);
6. Your contact details.

# 8. Specifications

Technical Data	RHI-3K-48ES	RHI-3.6K-48ES
<b>Input DC (PV side)</b>		
Max. input power	4kw	5kw
Max. input voltage	600Vdc	
Rated voltage	330Vdc	
Start-up voltage	120Vdc	
MPPT voltage range	90-520V	
Full load MPPT voltage range	141-520V	169-520V
Max. input current	11A/11A	
Max. short circuit current	17.2A/17.2A	
MPPT number/Max input strings number	2/2	
Max.inverter backfeed current to the array	0A	
<b>Battery</b>		
Battery Type	Li-ion	
Battery Voltage range	42 - 58Vdc	
Battery Capacity	50 - 2000Ah	
Maximum Charging Power	3000W	
Maximum Charge/discharge current	62.5A/62.5A	
Communication	CAN/RS485	
<b>Output AC(Back-up)</b>		
Rated output power	3kW	
Max. apparent output power	4kVA	
Back-up switch time	< 10ms	
Rated output voltage	1/N/PE, 220 V/230 V	
Rated frequency	50/60Hz	
Rated output current	13A	
THDv(@linear load)	2%	
<b>Input AC (Grid side)</b>		
Rated input voltage	230Vac	
Max. iutput current	23.9A	
Rated frequency	50/60 Hz	

# 8. Specifications

Output AC(Grid side)		
Rated output power	3kW	3.6kW
Max. apparent output power	3.3kVA	4kVA
Rated grid voltage	1/N/PE, 220 V/230 V	
The grid voltage range	180-270 V	
Rating grid frequency	50/60 Hz	
AC grid frequency range	47-52 Hz/57-62 Hz	
Rating grid output current	13.0A	15.7A
Max. output current	15.7A	17.3A
Power Factor	>0.99 (0.8 leading - 0.8 lagging)	
THDi	<2%	
Efficiency		
Max efficiency	>97.5%	
European efficiency of Solar Inverting	>96.8%	
Protection		
Ground fault monitoring	Integrated	
Residual current monitoring unit	Integrated	
Integrated AFCI (DC arc-fault circuit protection)	Optional	
DC reverse polarity protection	Yes	
Protection class/Over voltage category	I/III	
General data		
Dimensions(W/H/D)	333*505*249mm	
Weight	17kg	
Topology	High frequency insulation (for battery)	
Operation temperature range	-25°C ~ +60°C	
Protection degree	IP65	
Pollution degree	PD 3	
Noise emission	<20 dB (A)	
Cooling concept	Natural convection	
Max.operation altitude	2000m	
Grid connection standard	EN50438, G98, G99, AS4777.2:2015, VDE0126-1-1, IEC61727, VDE 4105, CEI 0-21,CE	
Safety/EMC standard	IEC62040-1, IEC62109-1/-2, AS3100, NB/T 32004, EN61000-6-2, EN61000-6-3	

# 8. Specifications

Features	
DC connection	MC4 connector
AC connection	Quick connector
Display	7.0"LCD color screen display
Communication	RS485, Optional:Wi-Fi, GPRS
Warranty	5 years standard (extend to 20 years)



# 8. Specifications

Technical Data	RHI-4.6K-48ES	RHI-5K-48ES
<b>Input DC (PV side)</b>		
Max. input power	6kw	6.5kw
Max. input voltage	600Vdc	
Rated voltage	330Vdc	
Start-up voltage	120Vdc	
MPPT voltage range	90-520V	
Full load MPPT voltage range	215-520V	234-520V
Max. input current	11A/11A	
Max. short circuit current	17.2A/17.2A	
MPPT number/Max input strings number	2/2	
Max.inverter backfeed current to the array	0A	
<b>Battery</b>		
Battery Type	Li-ion	
Battery Voltage range	42 - 58Vdc	
Battery Capacity	50 - 2000Ah	
Maximum Charging Power	3000W	
Maximum Charge/discharge current	62.5A/62.5A	
Communication	CAN/RS485	
<b>Output AC(Back-up)</b>		
Rated output power	3kW	
Max. apparent output power	4kVA	
Back-up switch time	< 10ms	
Rated output voltage	1/N/PE, 220 V/230 V	
Rated frequency	50/60Hz	
Rated output current	13A	
THDv(@linear load)	2%	
<b>Input AC (Grid side)</b>		
Rated input voltage	230Vac	
Max. iutput current	23.9A	
Rated frequency	50/60 Hz	

# 8. Specifications

<b>Output AC(Grid side)</b>		
Rated output power	4.6kW	5kW
Max. apparent output power	4.6kVA	5.5kVA
Rated grid voltage	1/N/PE, 220 V/230 V	
The grid voltage range	180-270 V	
Rating grid frequency	50/60 Hz	
AC grid frequency range	47-52 Hz/57-62 Hz	
Rating grid output current	20.9A	21.7A
Max. output current	23.0A	23.9A
Power Factor	> 0.99 (0.8 leading - 0.8 lagging)	
THDi	<2%	
<b>Efficiency</b>		
Max efficiency	>97. 5%	
European efficiency of Solar Inverting	>96.8%	
<b>Protection</b>		
Ground fault monitoring	Integrated	
Residual current mornitoring unit	Integrated	
Integrated AFCI (DC arc-fault circuit protection)	Optional	
DC reverse polarity protection	Yes	
Protection class/Over voltage category	I/III	
<b>General data</b>		
Dimensions(W/H/D)	333*505*249mm	
Weight	17kg	
Topology	High frequency insolation (for battery)	
Operation temperature range	-25°C ~ +60°C	
Protection degree	IP65	
Pollution degree	PD 3	
Noise emission	<20 dB (A)	
Cooling concept	Natural convection	
Max.operation altitude	2000m	
Grid connection standard	EN50438, G98, G99, AS4777.2:2015, VDE0126-1-1, IEC61727, VDE 4105, CEI 0-21,CE	
Safty/EMC standard	IEC62040-1, IEC62109-1/-2, AS3100, NB/T 32004, EN61000-6-2, EN61000-6-3	

# 8. Specifications

Features	
DC connection	MC4 connector
AC connection	Quick connector
Display	7.0"LCD color screen display
Communication	RS485, Optional:Wi-Fi, GPRS
Warranty	5 years standard (extend to 20 years)

# 9. Appendix

## 9.1 Battery Terminal Assembly

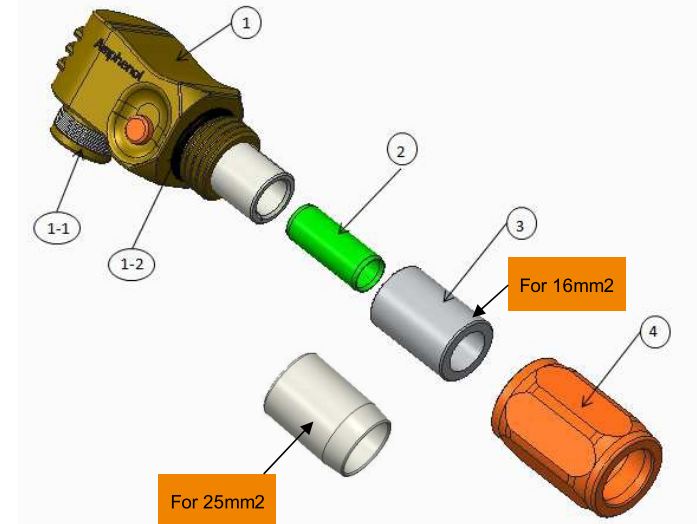
In order to avoid DC arc, Solis suggest to install a DC switch between the battery and RHI inverter. (At least 65A)

- Make sure the polarities of battery is correct before connecting to the inverter;
- Please follow the instructions below to choose the battery power cable.



**NOTE:**

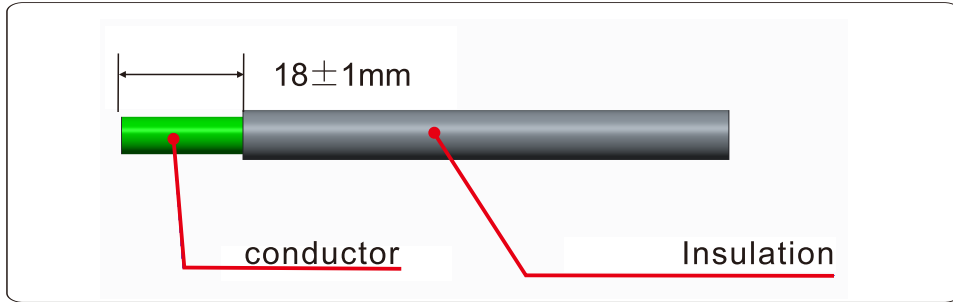
Power cable uses water-proofed AMPHENOL connectors. It must keep pressing this Lock Button during pulling out the power plug.



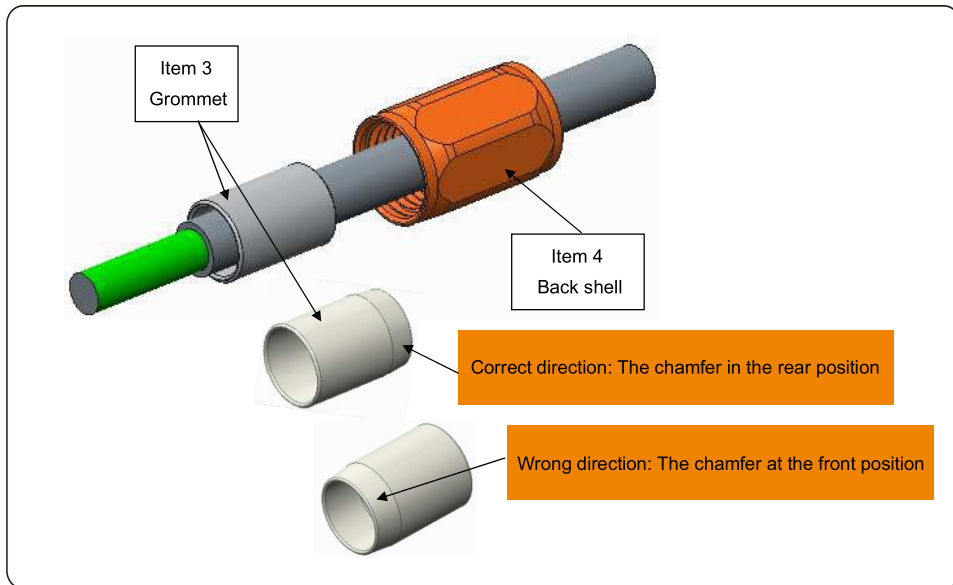
- ① : Connector Body
  - 1-1: Barrel sealing (Not included when no sealing requirement)
  - 1-2: O-Ring (Not included when no sealing requirement)
- ② : Barrel(Only for cable size 16mm<sup>2</sup> )
- ③ : Grommet(Not included when no sealing requirement)
- ④ : Back Shell

# 9. Appendix

Step 1: Wire cutting and stripping (Apply for 10mm<sup>2</sup> & 16mm<sup>2</sup> Cable)  
 Stripping conductor: 18±1mm

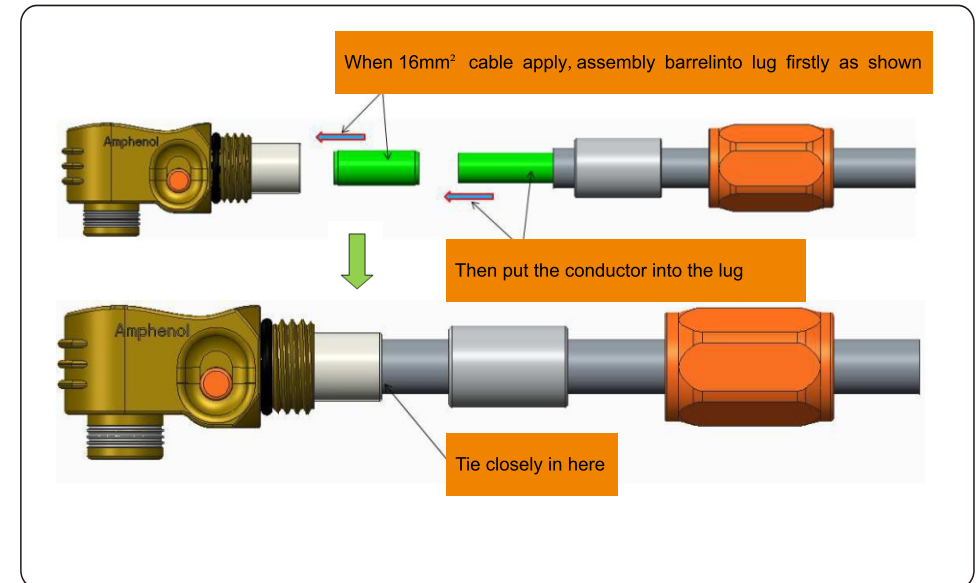


Step 2: Un-assemble item 3&4 over the cable as shown

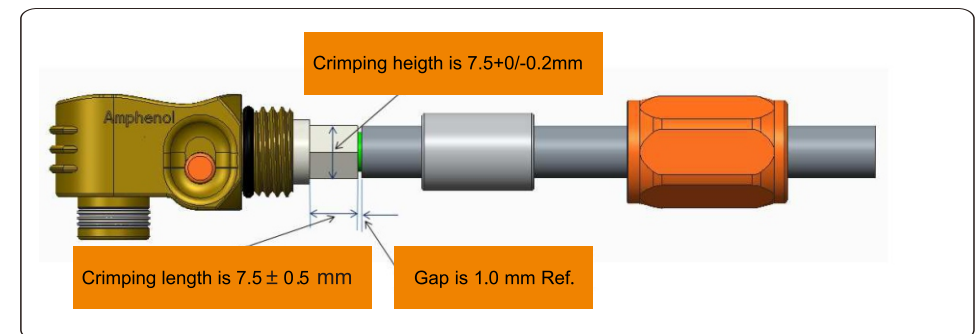


# 9. Appendix

Step 3: Put the barrel and the cable conductor into the lug



Step 4: Crimping the lug as shown



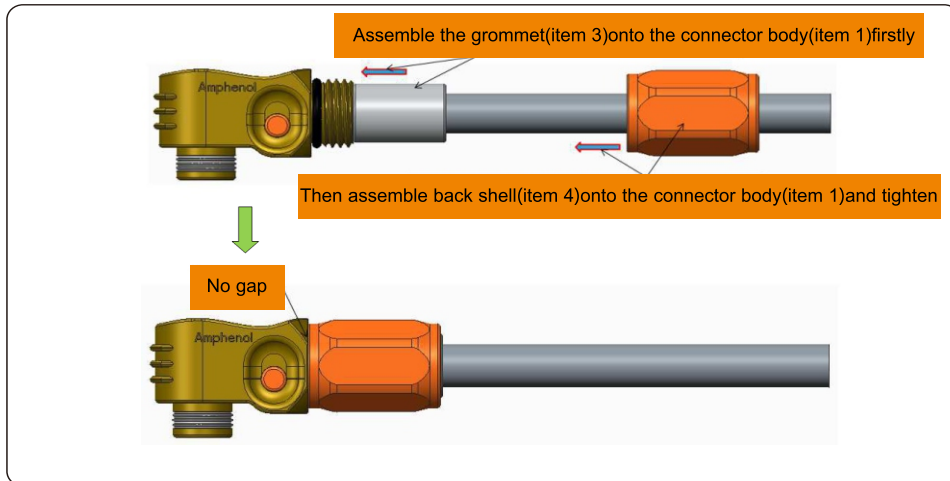
Cable size	Cable range	Crimping height	Cable pullout force
16 mm <sup>2</sup>	8.10±0.20 mm	7.5+0/-0.2mm	1000N Min.
25 mm <sup>2</sup>	10.20±0.20 mm		1200N Min.

Recommended crimping tool: Manual hydraulic crimping

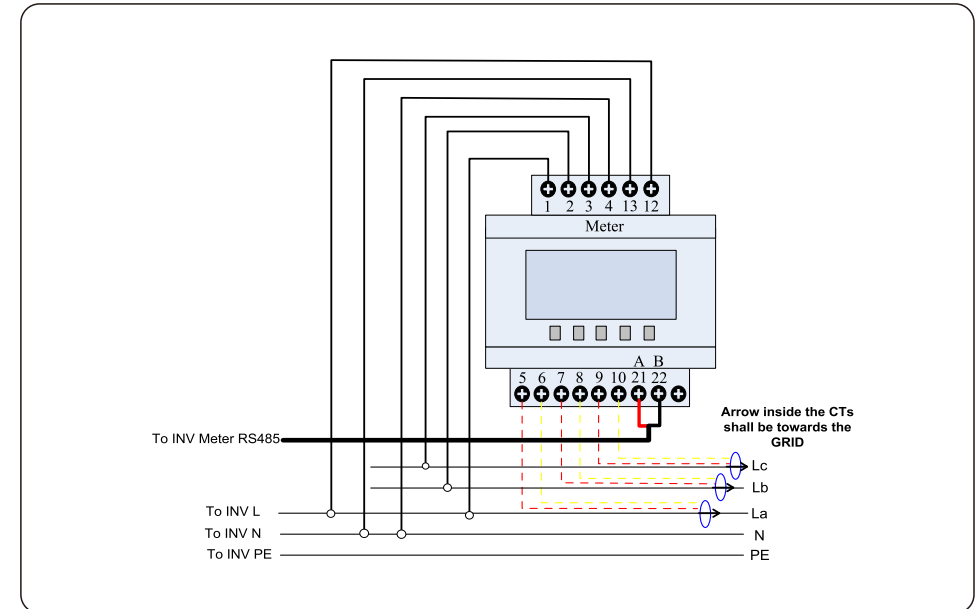
Die: 25 mm<sup>2</sup>



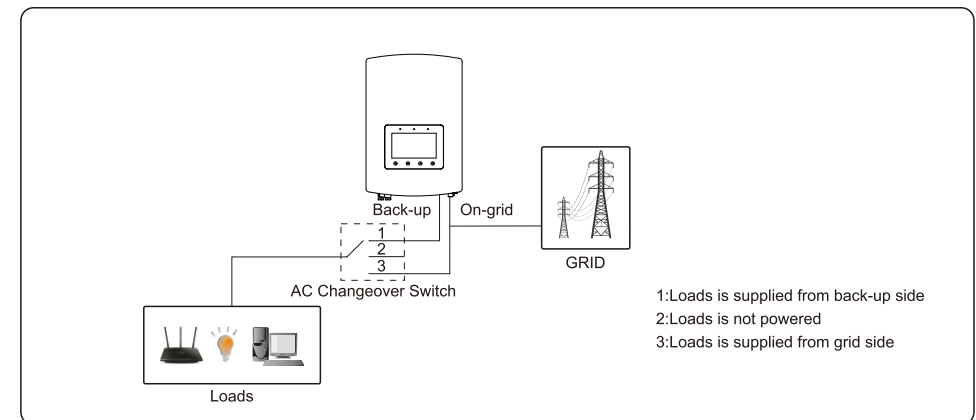
Step 5: Install grommet and back shel



## 9.2 Three phase meter connection



## 9.3 Special Back-up Connection



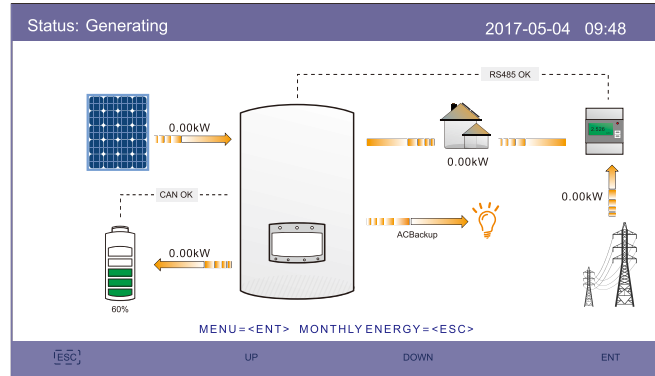
If need maintainance on RHI, then just switch AC Changeover Switch to position 3 as shown above. Thus the loads will be supplied by grid.

AC Changeover Switch is a 3rd party item not supplied by Ginlong.

## 9.4 Working Mode Description

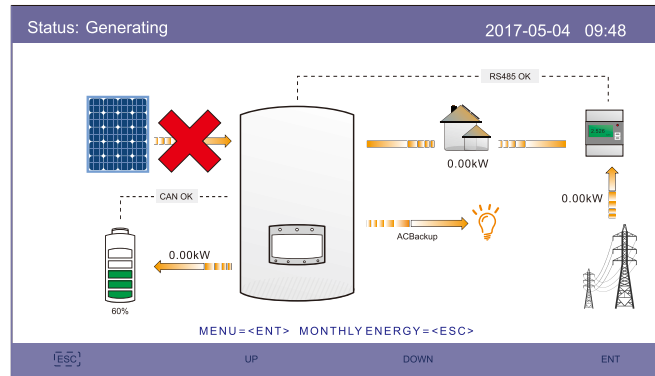
Mode 1: AUTO Mode

Scenario 1: When there is excess PV power generated,  $P(PV) - P(\text{Critical Loads}) - P(\text{Non-Critical Loads}) > 0$ , the excess power will be used to charge the battery first. Then, export to grid.



Mode 1: AUTO Mode(Scenario 1)

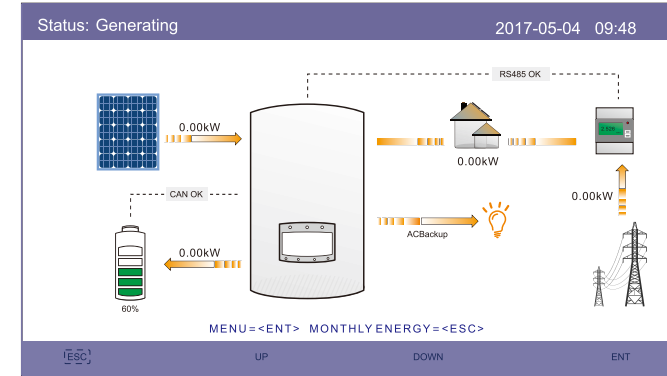
Scenario 2: When the PV power is not enough or no PV power is generated (at night),  $P(PV) - P(\text{Critical Loads}) - P(\text{Non-Critical Loads}) < 0$ , battery power will be used to support the loads and if battery power is not enough, grid will be used to support the loads as well.



Mode 1: AUTO Mode(Scenario 2)

Mode 2: Time-charging

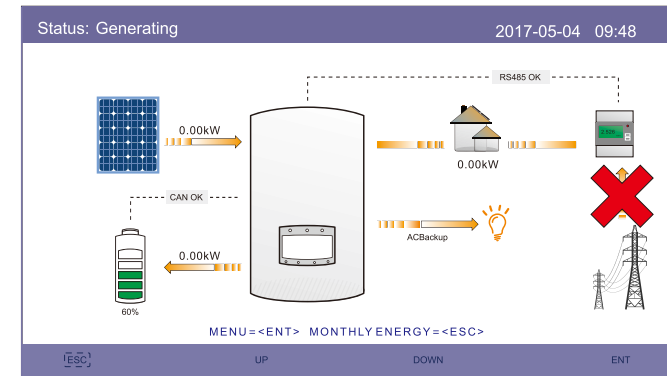
Customized battery charge and discharge logic. Users can define the charge/discharge current and the time. Both PV and Grid may be used to charge the battery (PV first priority).



Mode 2: Time-charging

Mode 3: Off grid Mode

When the grid is not available or in malfunction, PV power will be used to support the critical loads. Battery will be charged or discharge based on demands.

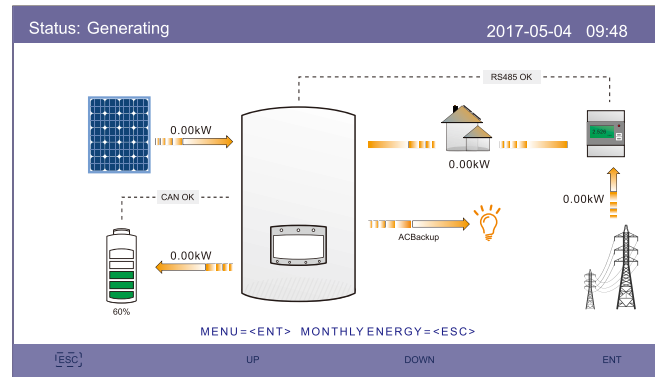


Mode 3: Off grid Mode

# 9. Appendix

## Mode 4: Reserve Battery Mode

Customer define a SOC value for the battery. Under Mode 1 and 2, inverter will reserve the battery SOC, only be used when the grid is in malfunction.



Mode 4: Reserve Battery Mode