

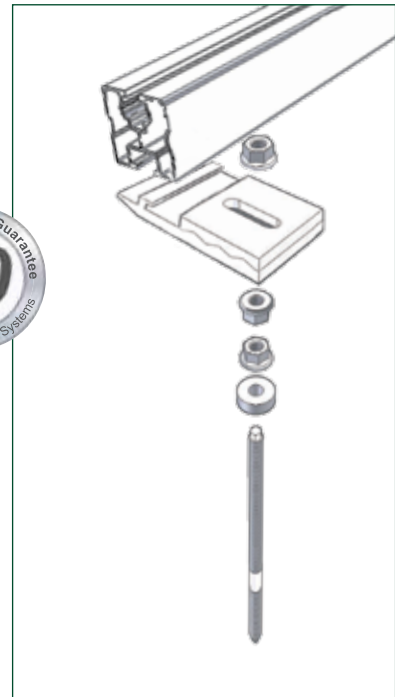
KlickTop fixation kit for corrugated roofs

The well-proven fixation kit now with KlickTop

- optimized mounting time
- improved structural analysis values
- fewer single components

Description

In case of roofings made up of fibre cement or also trapezoidal sheet metal roofings as well as in case of slate roofings, usually the fixation kit for corrugated roofs is applied. A special hanger bolt is screwed into the substructure through the roof cladding and bears the cross beam by means of an adapter plate. An UV-resistant EPDM-sealing with sealing cone and support collar is counterscrewed with a third mounting nut and safely seals the drilling. Please consider that it might be recommendable in case of purlin roofs to mount only vertical rails and to arrange the modules horizontally on them.



KlickTop design

Optimized mounting time and improved structural analysis values at the same time.



KlickTop fixation kit for corrugated roofs incl. hanger bolt, KlickTop-kit, 3 flange nuts and sealing

Item no.	
111110-200 (430 504-10-200)	M10 x 200 mm / 7.9 inch
111112-200 (430 504-12-200)	M12 x 200 mm / 7.9 inch
111112-300 (430 504-12-300)	M12 x 300 mm / 11.8 inch



Technical data

Material	Screws: Stainless steel 1.4301 KlickTop attachment: Aluminium Sealing rubber: Vulcanized EPDM-sealing (UV-resistant)
Structural analysis	Structural analysis according to the current specific national norms (in Germany DIN 1055 and EC1). Structural analysis attachments on the dimensioning of the number of required fixation spots, based on structural analysis. By all means pay regard to the hints on structural safety! The verification of the holding force of the roof to the substructure is not included in the general structural analysis attachments!

Get all system prices conveniently and swiftly with our auto-calculator!