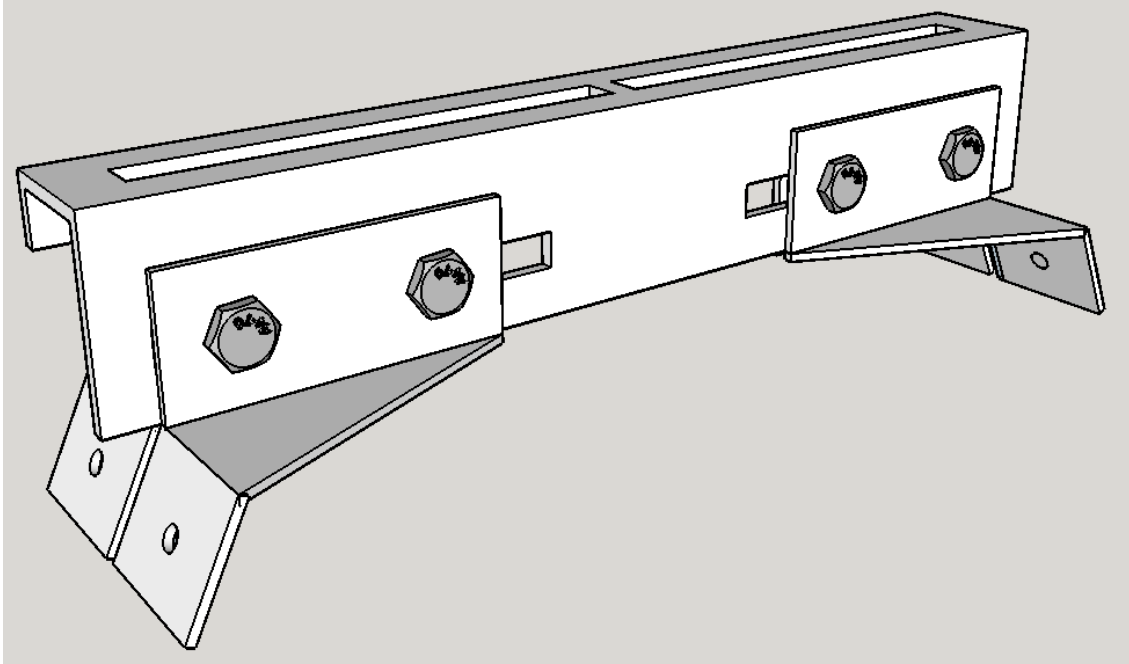




KDS-IBR250-PCSLLOT-ADJ



Item Code:	KDS-IBR250-PCSLLOT-ADJ
Series Name:	ALU SERIES
Item Description:	ADJUSTABLE IBR BRACKET NO RAIL
Weight:	240g
Material Specification:	ALUMINIUM
Penetrating/Non-Penetrating:	PENETRATING
Product Guarantee:	10 YEARS
Included Components:	CLASS3-STITCH-14X22
Panel Orientation:	PORTRAIT
Additional Items Needed:	MIDDLE CLAMP, END CLAMP
Tooling Required:	5/16 NUT SETTER, 13mm SPANNER, 6mm ALLEN KEY

PV Module Compatibility

PV Module Thickness:	30mm-40mm
PV Module Size:	Unlimited
PV Module Type:	Alu Framed PV Modules

