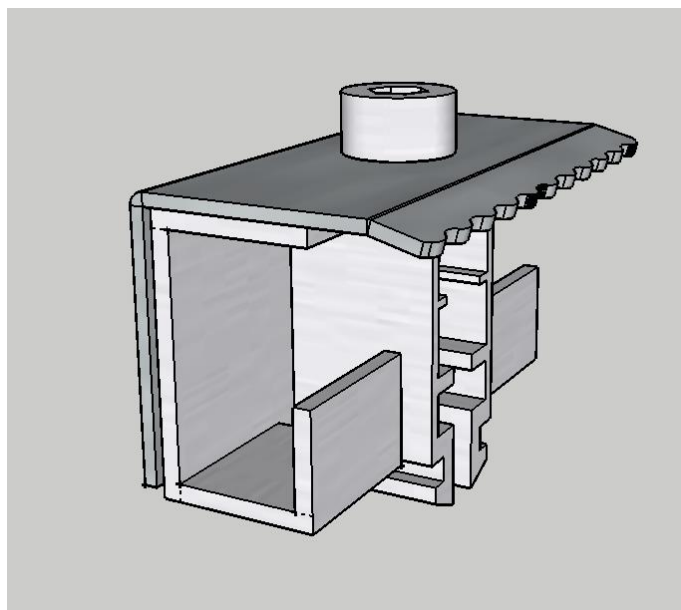




## KDS-EC-ADJ30-40



Item Code:	<b>KDS-EC-ADJ30-40</b>
Series Name:	<b>ALU SERIES</b>
Item Description:	<b>SELF BONDING END CLAMP FOR 30-40mm PANEL</b>
Weight:	<b>90g</b>
Material Specification:	<b>ALUMINIUM/STAINLESS STEEL</b>
Penetrating/Non-Penetrating:	<b>N/A</b>
Product Guarantee:	<b>10 YEARS</b>
Included Components:	<b>N/A</b>
Panel Orientation:	<b>PORTRAIT/LANDSCAPE</b>
Additional Items Needed:	<b>N/A</b>
Tooling Required:	<b>6mm ALLEN KEY</b>

### PV Module Compatibility

PV Module Thickness:	<b>30-40mm</b>
PV Module Size:	<b>Unlimited</b>
PV Module Type:	<b>Alu Framed PV Modules</b>