

PETER BOND

& Associates (Pty) Ltd.

Co No. 2012/003986/07

Civil & Structural Engineers, Architecture &
Quantity Surveying

OFFICES 31 & 32
KYALAMI ON MAIN SHOPPING CENTRE
DYTCHLEY / MAIN (R55) ROADS
BARBEQUE DOWNS, KYALAMI
MIDRAND

P.O. BOX 30611
KYALAMI
1684

TEL: 011 466 0364
E MAIL: gp@peterbond.co.za
WEB: www.peterbond.co.za

FAX: 011 466 1644
E mail fax: 086 581 5322
CELL: 082 4434943

F553/11/6824-TILE-P

30 May 2022

PANEL SUPPORT BRACKET: KDS-TILE-P

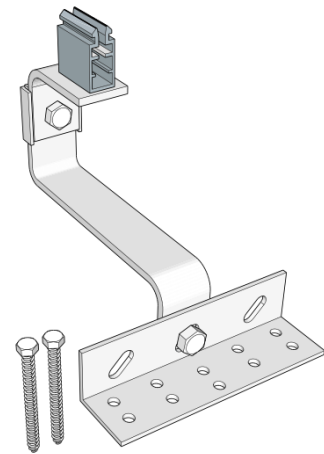
The KDS-TILE P is a fixing bracket designed for securing the support frame for solar panels to the timber rafter of a roof truss where the roof covering is concrete roof tiles. When installed in accordance with the KDS installation guide for tiled roof framed panels and secured with 2 x 60mm long 6.35 mm mild steel hex head roofing screws, the KDS-TILE-P will provide anchoring of the panel frame to the rafter.

The assumptions in calculating the pull out force required to be withstood by the bracket are:-

Solar panel size 2 x 1.2m anchored by 2 KDS-TILE-P Brackets

Wind loads calculated in accordance with SANS 0160: The general procedures and loadings to be adopted in the design of buildings with the following parameters.

Terrain category 1, Regional wind speed of 40 m/s and return period of 1 in 50 years.



Graeme Parker
PETER BOND & ASSOCIATES (PTY) LTD
Pr Eng. 20160449