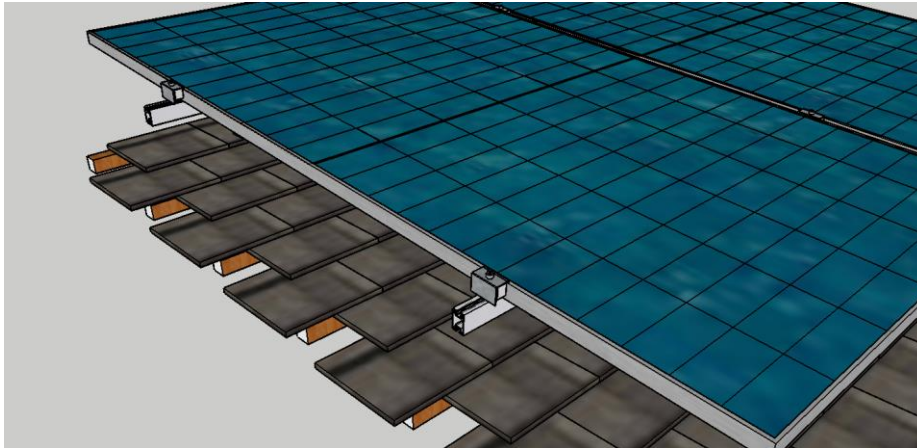


---

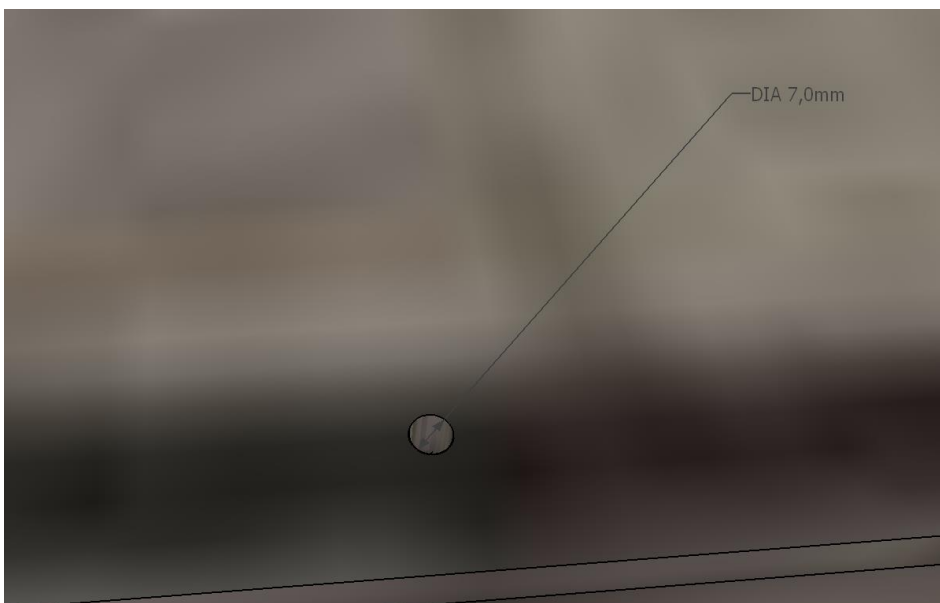
# KD SOLAR INSTALLATION GUIDE – SLATE ROOF

---



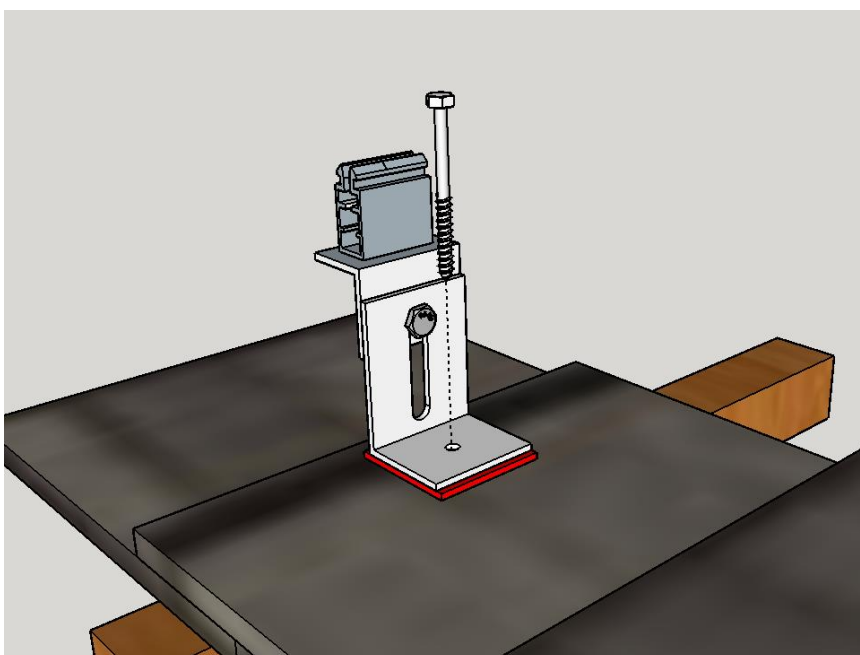


Solar panel end clamp position will vary with different size panels and manufacturers. Check solar panel data sheet for these measurements.

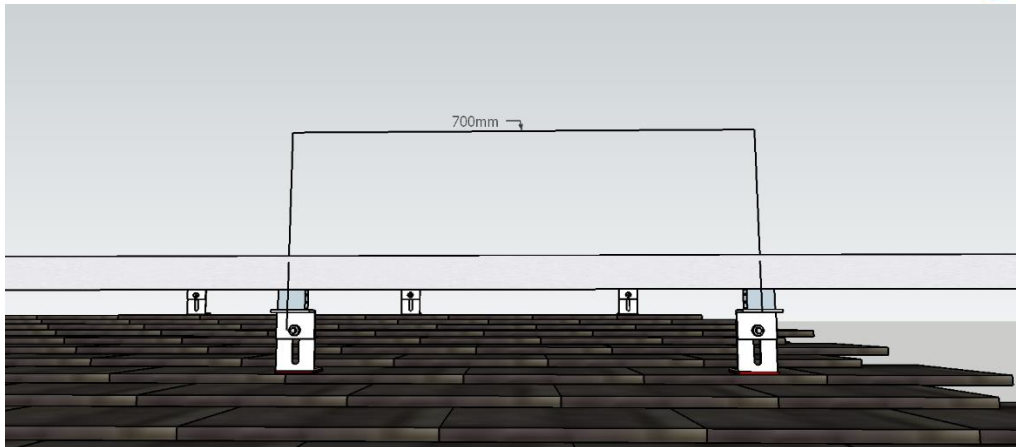


Using the pre-existing holes in the slate tile locate the position of the branding

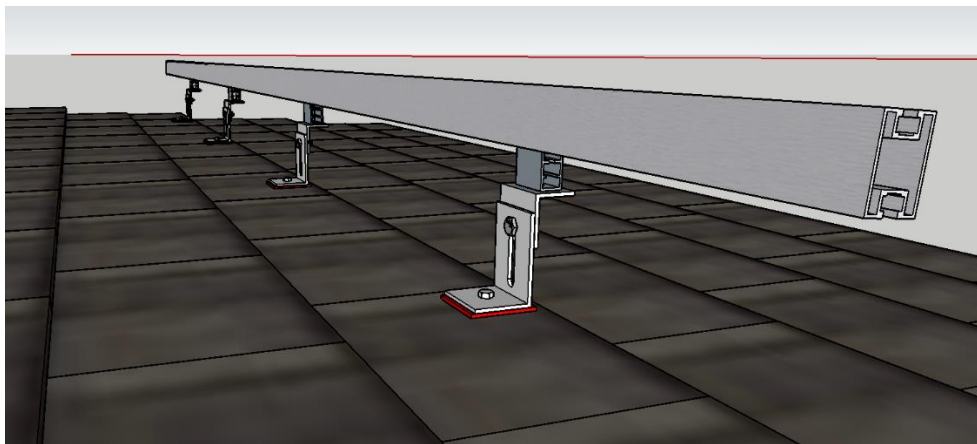
Drill a 7mm hole through the slate tile above the branding using a 7mm steel drill bit. (do not drill into the wood)



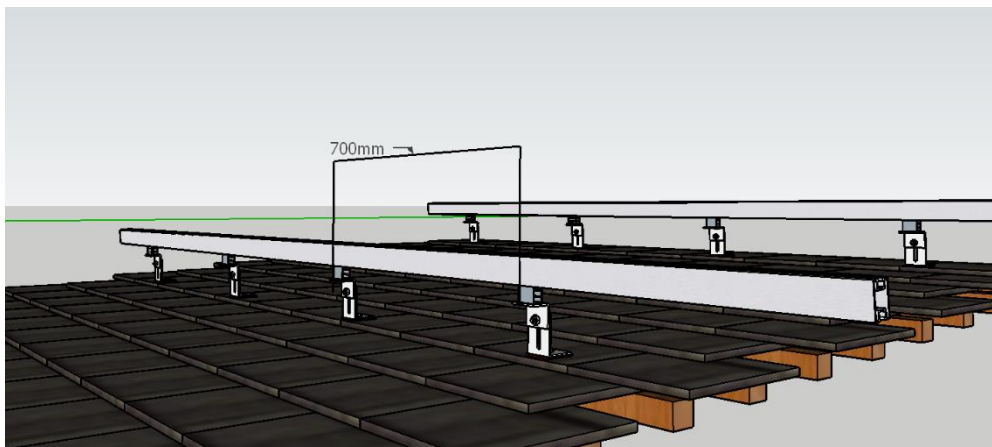
Fasten the Slate/Harvey bracket in place by sliding the red silicone seal between the bracket and tile. Fasten with screw provided.



Please note the max spacing between brackets allowed is 700mm and the max rail overhang past the last bracket is 300mm.

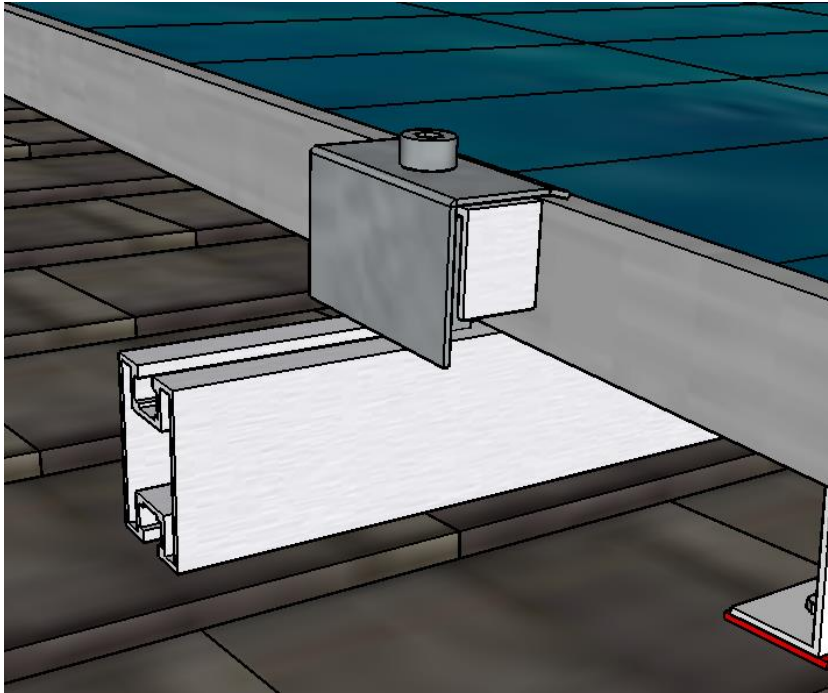


After all the brackets have been fastened into position, clip the aluminium rail onto the exposed push-clip, an audible click must be heard.



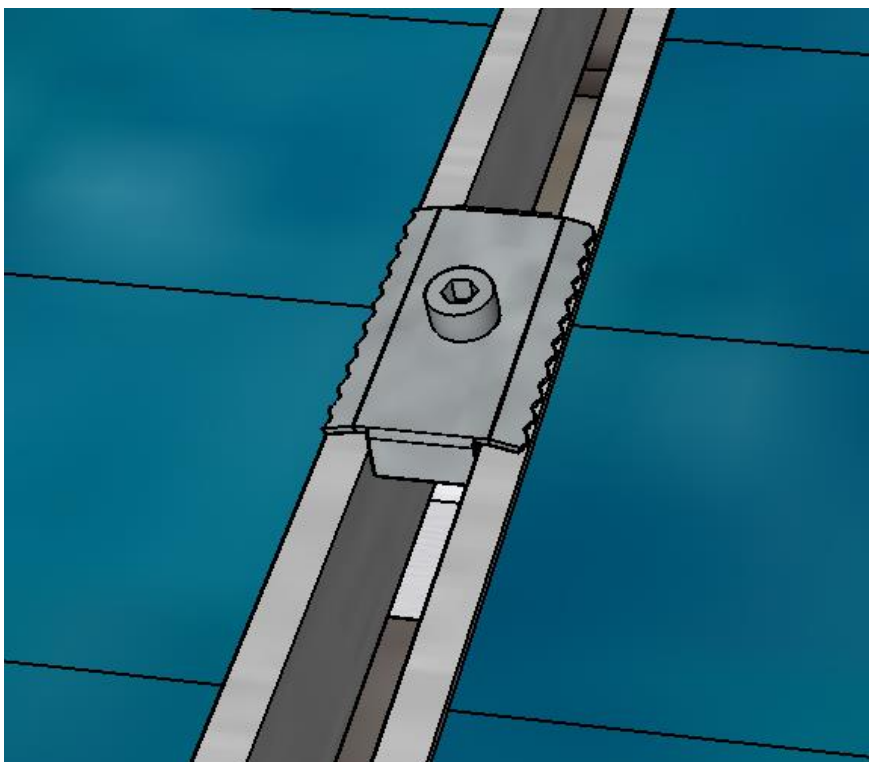
Ensure aluminium rails are evenly spaced over roof hooks.

Tighten the bolt under the push-clip with a 13mm spanner.



When installing the end clamp, clip the push-clip into the aluminium rail, make sure you hear the audible click. Move the aluminium spacer to be flush against the solar panel.

Tighten to 8Nm



When installing the middle clamp, clip the push-clip into the aluminium rail, make sure you hear the audible click. Move the middle clamp so the bent spacer is flush against the Solar panel.

Tighten to 8Nm

Install the second panel by sliding the solar panel under the middle clamp, repeat end clamp procedure on last panel. Now align the solar panels to be straight

**TIGHTEN ALL MIDDLE AND END CLAMPS TO BE 8NM**