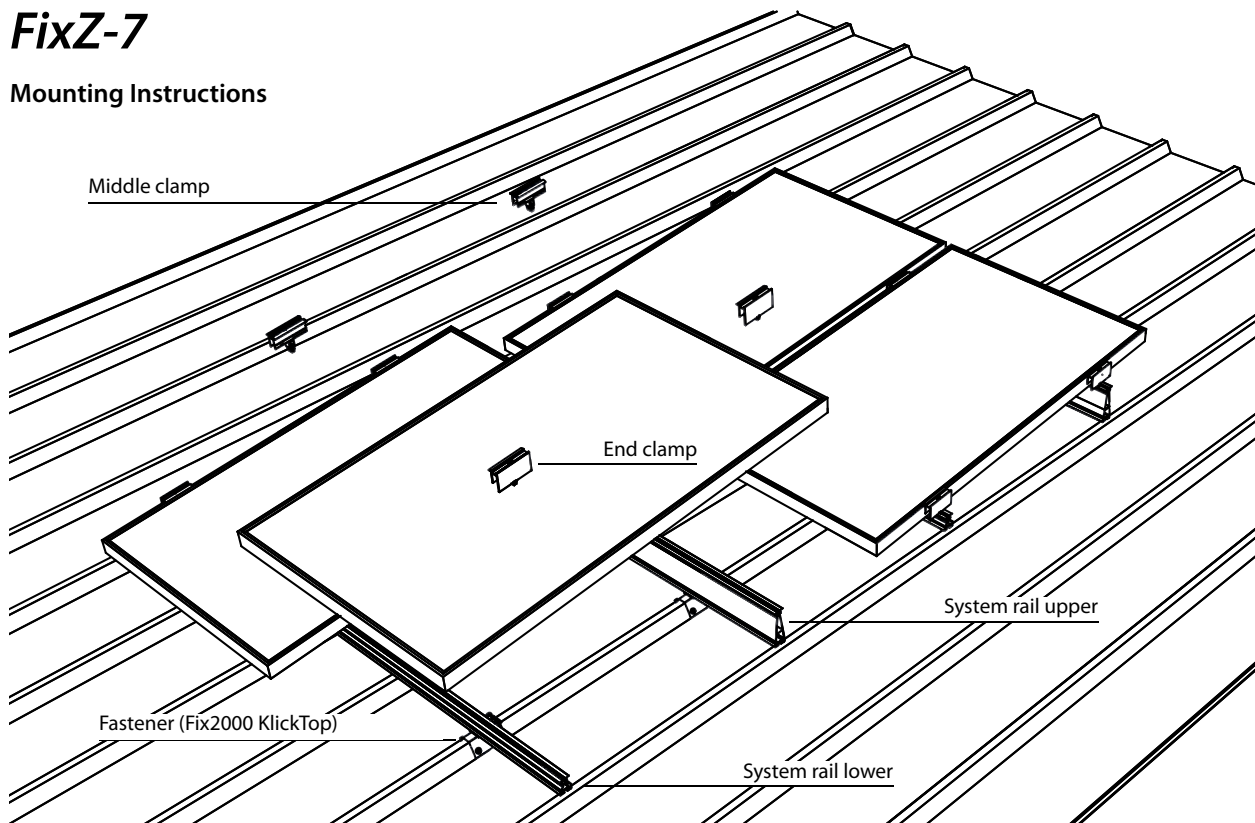


FixZ-7

Mounting Instructions



Required tools

Screwdriver with bits:
Bit T40
Bit hex-head SW6

Corresponding tools
for the selected fasteners

Additional documentation

Structural analysis

Analysis print-out with schematic diagram
from the plant calculation



The Schletter tool kit comprises
tools required for all standard
systems.

Safety instructions



Planning, mounting and start-up of the solar plant must be performed by qualified personnel only. Poor quality execution can result in damage to the plant and to the building and can present a risk to people.



Risk of falling! There is a risk of falling when working on the roof as well as when ascending and descending the building. Accident prevention regulations must be observed and appropriate safety equipment must be used. PV mounting systems are not suitable as climbing aids or fall protection.



Risk of injury! Objects falling from the roof can hurt or even kill people. The danger area around the installation site must be sealed off and people close to this area must be warned.



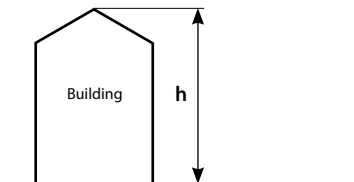
Risk of breakage! PV modules can be damaged if stepped upon.



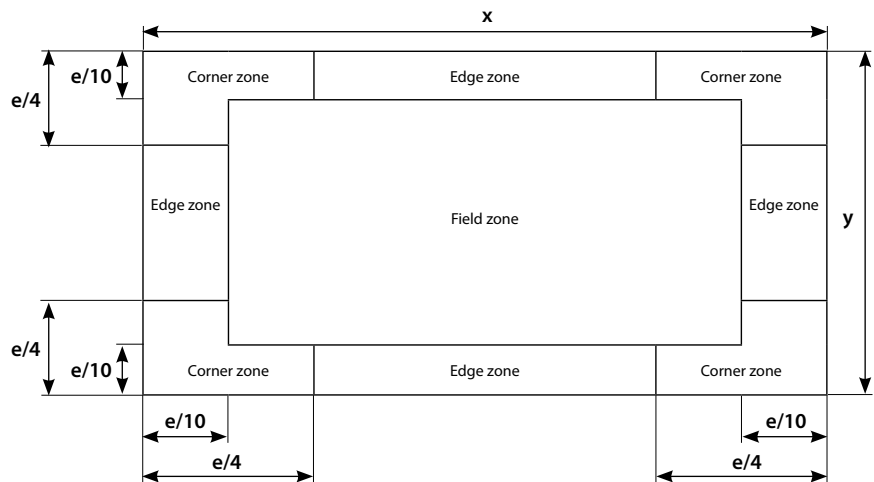
Risk of electric shock! The mounting and maintenance of the PV modules must be carried out by qualified personnel only. Please observe the all safety regulations issued by the manufacturer!

1 Define the area of installation

- Concentrate the number of fasteners in edge and corner zones.
- Further recommendations are offered in the structural analysis.




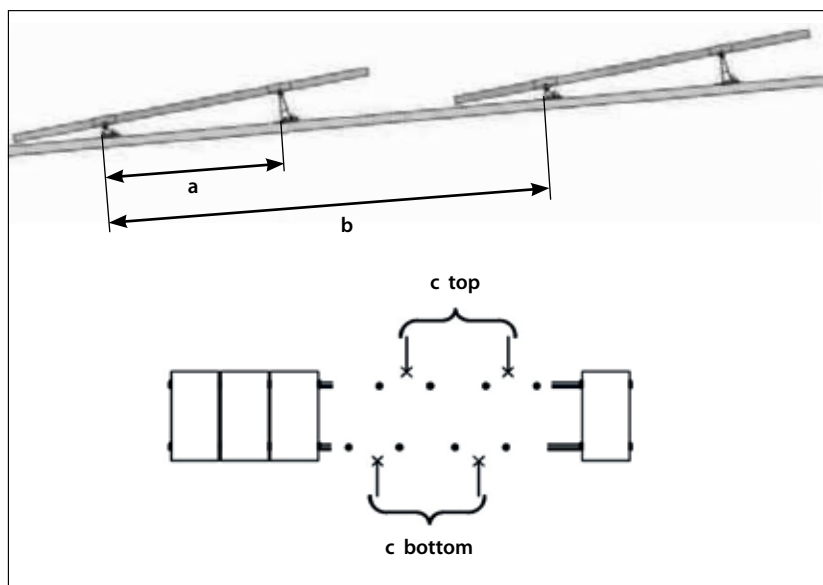
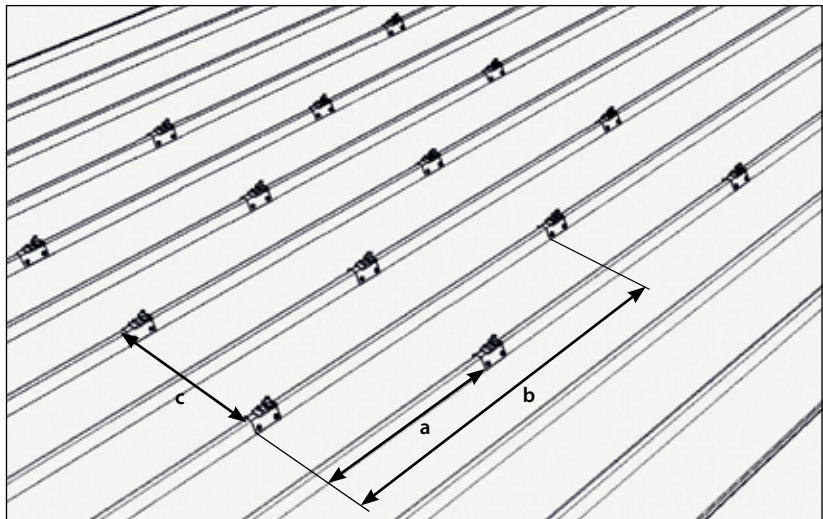
Calculation formula:
 $e = \min(x / y \text{ or } 2 \cdot h)$



2 Mount fasteners

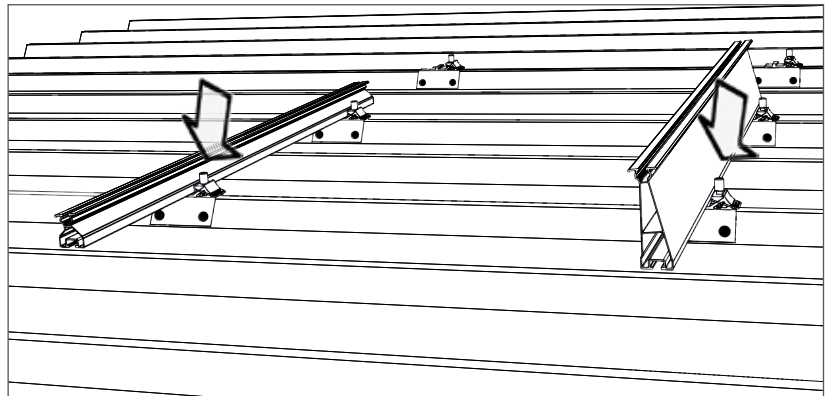
- Select corresponding distance between fasteners **a** for the respective module. The exact dimensions are displayed for you in the Autokalkulator schematic diagram.
- Please observe shading distances **b** between rows - also visible in the schematic diagram.
- The distance between fasteners **c** must comply with the structural analysis for fasteners - and is also displayed in the schematic diagram.
- Further recommendations are offered in the structural analysis (for fasteners).

 The number of fasteners required is also dependent upon the properties of the roof - please verify details with the manufacturer!




③ Mount system rail

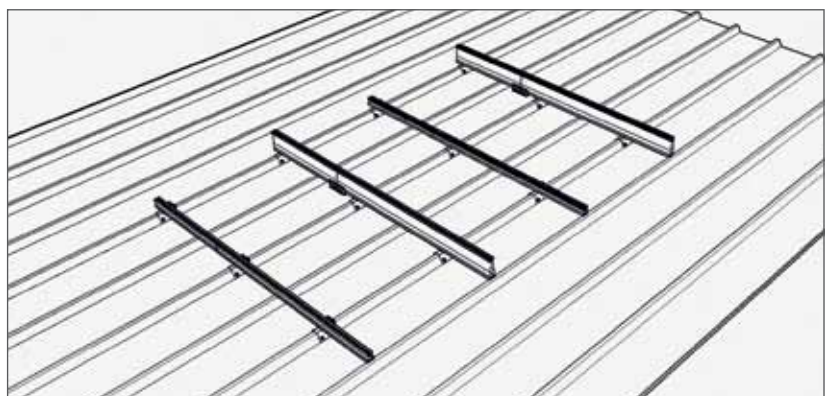
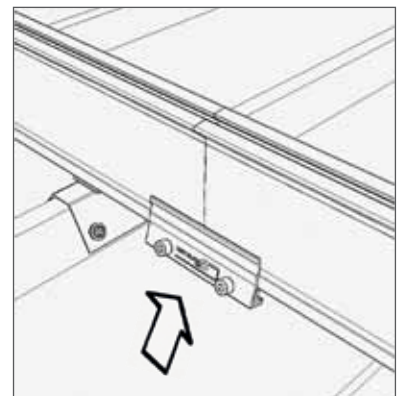
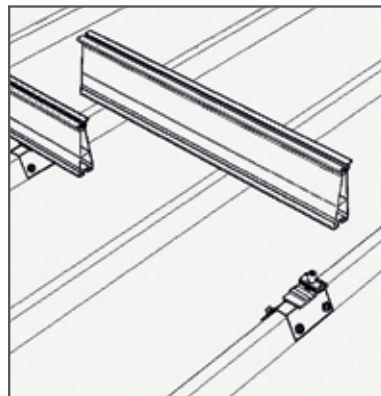
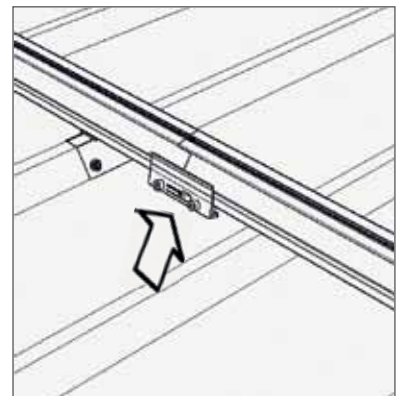
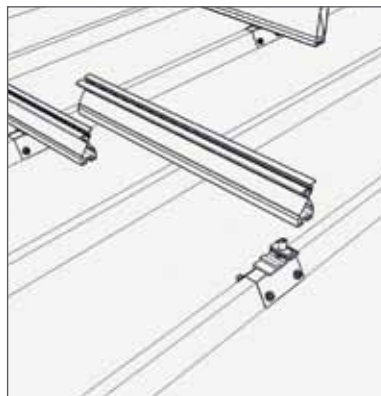
- Mount system rail on the fasteners in our example:
Hook in to the KlickTop top piece and secure with a Torx screw (T40).



④ Extend system rail

- Position next rail.
- Mount connector E from below.
- Tighten SW6 screws (pre-assembled)

 Please ensure that sufficient space is left at rail joints for the connector.



5 Module mounting

- Position the first module flush with the end of the rail then observe the indentation distance **d** (c.f. Autokalkulator schematic diagram and information issued by the manufacturer)
- Fasten module with two end clamps - in our example: click in the Rapid end clamps and tighten the 6-Lobe screws (T40).
- Connect module cables accordingly.
- Position further modules and secure each between the modules with 2 middle clamps.
- Secure the last module of a row with 2 end clamps.

