

DC FUSE

PEDF-1000/1500

PROJOY
electric
- Switch To Safety! -

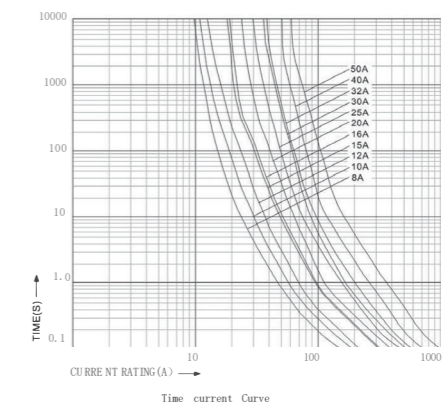
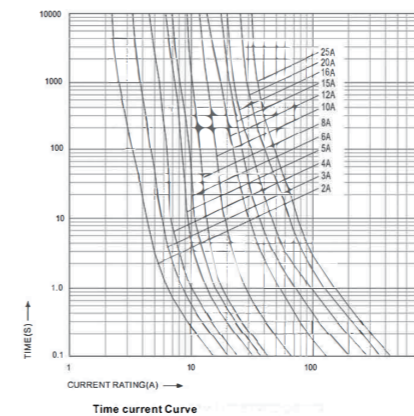
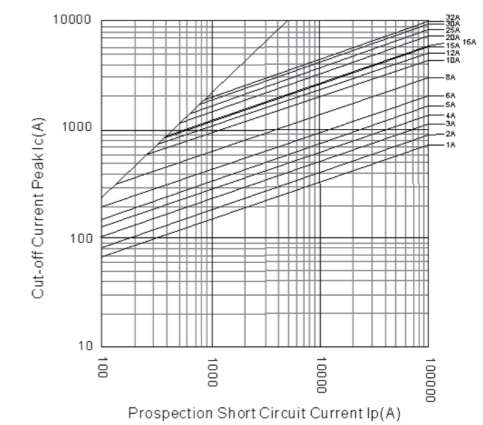
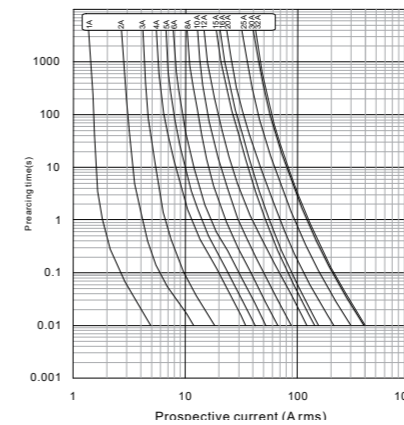
PROJOY
electric
- Switch To Safety! -

Agreed Time and Current

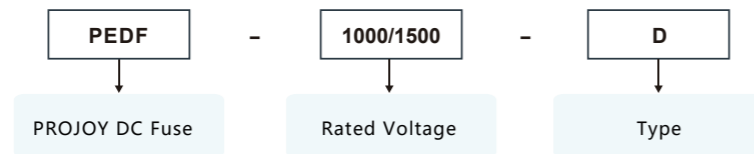
"gPV" represents a DC fuse with a full range of breaking capability for overcurrent protection of solar photovoltaic systems.

Rated current of fuse block A	Agreed Time h	Agreed Current	
$I_n \leq 63$	1	Inf	If
$63 < I_n \leq 160$	2	1.13I _n	1.45I _n
$160 < I_n \leq 400$	3		
$I_n > 400$	4		

Special graph



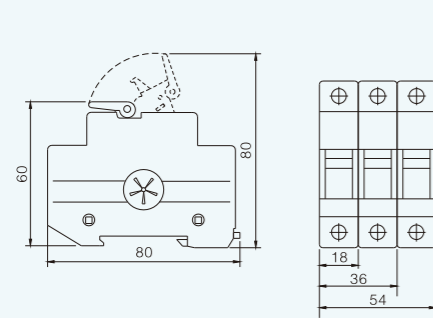
Select Code



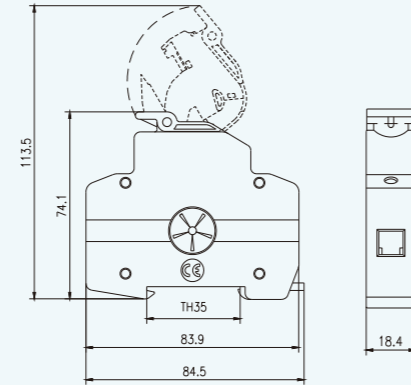
Features of gPV Fuse

PEDF series melting core is made of pure silver and the variable cross section melt is enclosed in a melting tube made of high strength porcelain. The melting tube is filled with chemically treated high purity quartz sand and specially treated chemical substances as arc extinguishing medium. The two ends of the melt are firmly connected with the end cap by spot welding.

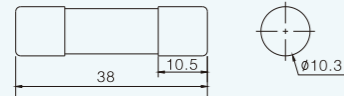
Dimension



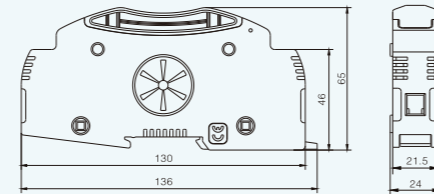
PEDF-1000-D



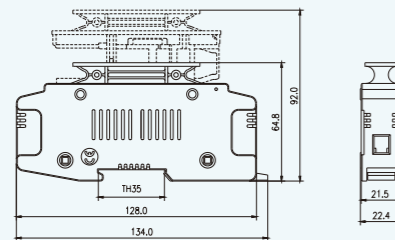
PEDF-1000



PEDF-1000-RX



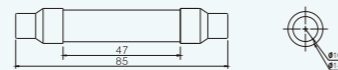
PEDF-1500-S



PEDF-1500



PEDF-1500-RX



PEDF-1500-RXS

Technical Data

Model	PEDF-1000、PEDF-1000-D	PEDF-1500、PEDF-1500-S
Poles	1P	
Standard	IEC60269-1/IEC60269-6	IEC60269
Rated working voltage Ue VDC	1000V DC	1500V DC
Rated current In A	30A	50A
Breaking capacity kA	20kA	
Protection degree	IP20	
Wire mm ²	1-25mm ²	
Ambient temperature	-40°C~90°C	-50°C~90°C
Elevation	≤2000m	
Relative humidity	+20°C, ≤90%; +30°C, ≤80%; +40°C, ≤70%	
Installation environment	Avoid obvious shock and vibration	
Installation class	III	Class III
Mounting channel	TH35-7.5/DIN35 rail	

Model	Size	Rated Current(A)	Rated Voltage(V)	Watts loss		Energy Integrals		
				0.7In (W)	1.0In (W)	Pre-arcingft I ² t(A ² s)	Total I ² t(A ² s)	
PEDF-1000-RX	10.3x38	2	1000	0.80	1.72	2	3.3	
	10.3x38	3	1000	0.96	1.77	3	11	
	10.3x38	4	1000	1.10	1.86	5	27	
	10.3x38	5	1000	1.15	1.95	7	46	
	10.3x38	6	1000	1.24	2.08	12	89	
	10.3x38	8	1000	1.32	2.25	7	31	
	10.3x38	10	1000	1.41	2.39	9	68	
	10.3x38	12	1000	1.49	2.64	17	136	
	10.3x38	15	1000	1.54	2.91	28	215	
	10.3x38	16	1000	1.58	2.97	32	255	
	10.3x38	20	1000	1.87	3.52	50	392	
	10.3x38	25	1000	2.25	4.22	66	508	
	10.3x38	30	1000	2.35	4.41	106	821	
PEDF-1500-RX	10.3x85	2	1500	1.70	3.20	4	8	
	10.3x85	3	1500	1.77	3.32	6	11	
	10.3x85	4	1500	1.69	3.19	8	14	
	10.3x85	5	1500	1.71	3.22	11	22	
	10.3x85	6	1500	1.73	3.25	15	30	
	10.3x85	8	1500	1.79	3.36	9	35	
	10.3x85	10	1500	1.99	3.74	10	98	
	10.3x85	12	1500	2.28	4.29	12	120	
	10.3x85	15	1500	2.63	4.95	14	170	
	10.3x85	16	1500	2.69	5.06	16	190	
	10.3x85	20	1500	3.00	5.65	34	400	
	PEDF-1500-RXS	14x85	25	1500	4.11	7.70	80	600
		14x85	30	1500	4.57	8.60	90	720
14x85		32	1500	4.72	8.85	95	730	
14x85		40	1500	6.63	12.50	125	800	
14x85		50	1500	7.25	13.65	155	920	