

Schletter Solar Mounting Systems



Component overview 2016/17



 **SCHLETTER**

Table of contents

Component overview

General information:

Production-specific tolerances are to be considered with all specified dimensions.

At the request of the customer, all member companies of the Schletter group can purchase goods manufactured in the Schletter factories in Germany, China (Shanghai) and the USA. All three of these factories have been certified according to ISO 9001. Further details about the certifications are available on the respective Schletter websites.

Fastening elements **from page // 05**

Roof hooks	Page // 06
Corrugated roof fastening	Page // 16
Sheet metal roof fastening	Page // 18
FixE / FixT	Page // 24

Fastening elements **from page // 29**

for framed modules	Page // 30
for unframed modules	Page // 32

Standard rails and accessories **from page // 37**

Rail series 05	Page // 38
----------------	------------

System-specific components **from page // 43**

Lay-in system	Page // 44
Plandach5	Page // 47
FixZ-7 / FixZ-15	Page // 48

Flat roof systems **from page // 51**

Supports and accessories	Page // 54
--------------------------	------------

Special rails (profiles) **from page // 61**

DN rail series	Page // 62
----------------	------------

Large projects **from page // 67**

Accessories **from page // 71**

Fasteners	Page // 72
Cable guidance, other	Page // 78

FASTENING ELEMENTS

Our fastening elements:

Roof hooks

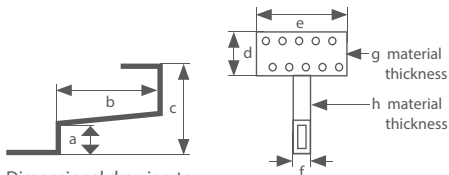
Fastening to corrugated roofs

Fastening to sheet metal roofs

FixE / FixT

Roof hooks

Fastening elements



Dimensional drawing to the charts



Assembly diagram

Overview - Roof hooks

- all roof hooks are made of high-grade steel
- adjustable hooks are fully pre-assembled

Wood screws, hexagon nuts (M10x25 mm) and flange nuts must be ordered separately!

Also available in black on request!

Roof hooks for light snow loads and normal wind loads

- Quality high-grade steel
- Welded
- Symmetric bar arrangement

100002-000 Roof hook Eco G

	a	b	c	d	e	f	g	h
mm	45	110	132	60	150	30	5	5

100002-001 Roof hook Eco G KlickTop



KlickTop

100003-000 Roof hook Eco V (adjustable)

	a	b	c	d	e	f	g	h
mm	45	105	117-147	60	150	30	5	5



KlickTop

100003-001 Roof hook Eco V KlickTop

Roof hooks for heavy snow and wind loads

- Quality high-grade steel
- Welded
- Symmetric bar arrangement
- Various sizes available for improved rear airing

100004-000 Roof hook Eco S 135 (normal height 135 mm)

	a	b	c	d	e	f	g	h
mm	45	110	135	60	150	35	5	6



KlickTop

100004-001 Roof hook Eco S 135 KlickTop

100007-000 Roof hook Eco S 165 (special height 165 mm)

	a	b	c	d	e	f	g	h
mm	45	110	165	60	150	35	5	6



KlickTop

100013-001 Roof hook Eco S 165 KlickTop



KlickTop

100009-000 Roof hook Eco SV (extra stable, adjustable)

	a	b	c	d	e	f	g	h
mm	45	110	120-150	60	150	35	5	6

100009-001 Roof hook Eco SV KlickTop

Special designs of the roof hook Eco S 135

100006-000 Roof hook Eco S 135 35 mm

For low battens a = 35 mm

100006-001 Roof hook Eco S 135 35 mm

For low battens a = 35 mm

100005-000 Roof hook Eco S 135 Bar 130

For large tile formats b = 130 mm

Roof hooks for particularly heavy snow loads

- Quality high-grade steel
- Welded
- Symmetric bar arrangement



KlickTop

100010-000 Roof hook VaMax

	a	b	c	d	e	f	g	h
mm	45	120	145	80	180	35	6	8

100010-001 Roof hook VaMax KlickTop**100011-000** Roof hook VaMax (adjustable)

	a	b	c	d	e	f	g	h
mm	45	120	125-165	80	180	35	6	8

Roof hook Universal

- Quality high-grade steel
- Variable bar arrangement
- Adjustable at the front and rear
- Middle bar can be set in three different positions



KlickTop

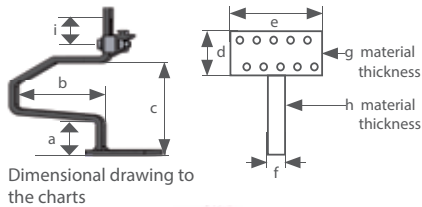
100001-000 Roof hook Universal (Frankfurter pantile or interlocking tile)

	a	b	c	d	e	f	g	h
mm	37-47	115	78-125	75	150	30	5	6

100001-001 Roof hook Universal KlickTop

Roof hooks

Fastening elements



Roof hooks Rapid²⁺

- Quality high-grade steel
- Welded
- Symmetric bar arrangement
- Pre-assembled

101001-000 Roof hook Rapid²⁺ 45

	a	b	c	d	e	f	g	h	i
mm	45	110	118	60	150	35	5	6	30

Comparable to: Eco S 100004-000, 100004-001, 100009-000

101001-001 Roof hook Rapid²⁺ 45V

	a	b	c	d	e	f	g	h	i
mm	45	110	125	60	150	35	5	6	30

Like 101001-000, but for vertical rail mounting
Comparable to: Eco S 100004-000, 100004-001, 100009-000

101002-000 Roof hook Rapid²⁺ 35

	a	b	c	d	e	f	g	h	i
mm	35	110	108	60	150	35	5	6	30

Like 101001-000, but 35 mm / 1.38 inch bracket height for low battens
Comparable to: Eco S 100006-000

101003-000 Roof hook Rapid²⁺ 55

	a	b	c	d	e	f	g	h	i
mm	55	110	116	60	150	35	5	6	30

Like 101001-000, but 55 mm / 2.17 inch bracket height for high battens or large tile formats

101004-000 Roof hook Rapid²⁺ Universal

	a	b	c	d	e	f	g	h	i
mm	40-54	110	116	60	150	35	5	6	30

Universally adjustable, for vertical rail mounting
Comparable to: Universal 100001-000

101005-000 Roof hook Rapid²⁺ Max

	a	b	c	d	e	f	g	h	i
mm	45	120	125	80	180	35	6	8	30

Like 101001-000, but with 35x8 mm / 1.38x0.31 inch bar height for heavy snow loads
Comparable to: VaMax 100010-000, 100010-001, 100011-000, 100011-001



101005-001 Roof hook Rapid²⁺ Max 150

	a	b	c	d	e	f	g	h	i
mm	43	150	125	80	180	35	6	8	30

Like 101005-000, but with extended bar (size b) for large tile formats
 Comparable to: VaMax 100010-000, 100010-001, 100011-000, 100011-001



101006-000 Roof hook Rapid²⁺ MaxV

	a	b	c	d	e	f	g	h	i
mm	45	120	125	80	180	35	6	8	30

Like 101005-000, but for vertical rail mounting
 Comparable to: VaMax 100010-000, 100010-001, 100011-000, 100011-001

Roof hooks Rapid 2L

Roof hook kit for system roofs made up of insulating roof elements

101008-000 Roof hook Rapid 2L

	a	b	c	d	e	f	g	h	i
mm	20	127	74	88	35	35	6	6	30

101008-001 Roof hook Rapid 2L kit (incl. board and screws)



Roof hook Rapid²⁺ Slate

- Quick and easy assembly
- Suitable for many types of shingles
- Covering plate with elastic corrugated connection element
- Direct transmission of load into the rafters

102002-001 Roof hook Rapid²⁺ Slate 75 Set

for slate overlaps up to 75 mm

102002-002 Roof hook Rapid²⁺ Slate 125 Set

for slate overlaps up to 125 mm



Roof hooks

Fastening elements



Alu-Tile substitute tile made of aluminium

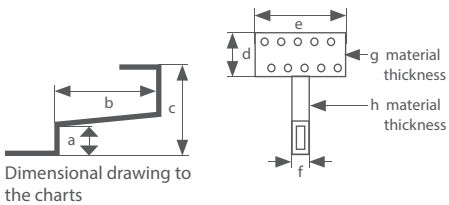
Replaces a complete roof tile. Particularly suited to areas with high snow loads, incl. system hook with Rapid top piece.

Comparison list (sorted by tile manufacturer)

Braas / Monier	Item number	Non-coated aluminium	Item number	Red ²
Frankfurter pantile	103003-000	Alu-Tile sheet metal substitute tile H+V type000 kit	103004-000	Alu-Tile RED H+V type000 kit
Taunus pantile	103003-000	Alu-Tile sheet metal substitute tile H+V type000 kit	103004-000	Alu-Tile RED H+V type000 kit
Harzer pantile	103003-000	Alu-Tile sheet metal substitute tile H+V type000 kit	103004-000	Alu-Tile RED H+V type000 kit
Double-S tile	103003-000	Alu-Tile sheet metal substitute tile H+V type000 kit	103004-000	Alu-Tile RED H+V type000 kit
Topas 11V (Batten distance: not less than 330 mm !)	103003-009	Alu-Tile sheet metal substitute tile H+V type009 kit	103004-009	Alu-Tile RED H+V type009 kit
Topas 13V	103003-009	Alu-Tile sheet metal substitute tile H+V type009 kit	103004-009	Alu-Tile RED H+V type009 kit
Tegalit ¹	103003-014	Alu-Tile sheet metal substitute tile H+V type014 kit	103004-014	Alu-Tile RED H+V type014 kit
Harzer pantile 7 (BIG)	103003-017	Alu-Tile sheet metal substitute tile H+V type017 kit	103004-017	Alu-Tile RED H+V type017 kit
Rubin 13V	103003-024	Alu-Tile sheet metal substitute tile H+V type024 kit	103004-024	Alu-Tile RED H+V type024 kit
Hainstädter Rubin 11V	103003-026	Alu-Tile sheet metal substitute tile H+V type026 kit	103004-026	Alu-Tile RED H+V type026 kit
Heisterholzer Rubin 11V	103003-026	Alu-Tile sheet metal substitute tile H+V type026 kit	103004-026	Alu-Tile RED H+V type026 kit
Turmalin	103003-028	Alu-Tile sheet metal substitute tile H+V type028 kit	103004-028	Alu-Tile RED H+V type028 kit
Bramac				
Classic / Donau	103003-000	Alu-Tile sheet metal substitute tile H+V type000 kit	103004-000	Alu-Tile RED H+V type000 kit
Ceda				
Mareno / Asimmetrica	103003-000	Alu-Tile sheet metal substitute tile H+V type000 kit	103004-000	Alu-Tile RED H+V type000 kit
Creaton				
Rustico interlocking tile	103003-001	Alu-Tile sheet metal substitute tile H+V type001 kit	103004-001	Alu-Tile RED H+V type001 kit
Domino	103003-003	Alu-Tile sheet metal substitute tile H+V type003 kit	103004-003	Alu-Tile RED H+V type003 kit
MZ3	103003-005	Alu-Tile sheet metal substitute tile H+V type005 kit	103004-005	Alu-Tile RED H+V type005 kit
Gratus	103003-007	Alu-Tile sheet metal substitute tile H+V type007 kit	103004-007	Alu-Tile RED H+V type007 kit
Ratio	103003-009	Alu-Tile sheet metal substitute tile H+V type009 kit	103004-009	Alu-Tile RED H+V type009 kit
Magnum ¹	103003-016	Alu-Tile sheet metal substitute tile H+V type016 kit	103004-016	Alu-Tile RED H+V type016 kit
Rapido	103003-019	Alu-Tile sheet metal substitute tile H+V type019 kit	103004-019	Alu-Tile RED H+V type019 kit
Premion	103003-020	Alu-Tile sheet metal substitute tile H+V type020 kit	103004-020	Alu-Tile RED H+V type020 kit
Futura	103003-020	Alu-Tile sheet metal substitute tile H+V type020 kit	103004-020	Alu-Tile RED H+V type020 kit
Harmonie	103003-024	Alu-Tile sheet metal substitute tile H+V type024 kit	103004-024	Alu-Tile RED H+V type024 kit
Maximum	103003-025	Alu-Tile sheet metal substitute tile H+V type025 kit	103004-025	Alu-Tile RED H+V type025 kit
Ergoldsbacher				
Interlocking tile	103003-002	Alu-Tile sheet metal substitute tile H+V type002 kit	103004-002	Alu-Tile RED H+V type002 kit
Large interlocking tile	103003-003	Alu-Tile sheet metal substitute tile H+V type003 kit	103004-003	Alu-Tile RED H+V type003 kit
Erlus E58 / S	103003-004	Alu-Tile sheet metal substitute tile H+V type004 kit	103004-004	Alu-Tile RED H+V type004 kit
Erlus large interlocking tile XXL	103003-006	Alu-Tile sheet metal substitute tile H+V type006 kit	103004-006	Alu-Tile RED H+V type006 kit
Erlus retro-style pantile XXL	103003-006	Alu-Tile sheet metal substitute tile H+V type006 kit	103004-006	Alu-Tile RED H+V type006 kit
Erlus Karat ¹	103003-008	Alu-Tile sheet metal substitute tile H+V type008 kit	103004-008	Alu-Tile RED H+V type008 kit
Erlus E58 plus ¹	103003-013	Alu-Tile sheet metal substitute tile H+V type013 kit	103004-013	Alu-Tile RED H+V type013 kit
Erlus Linea	103003-015	Alu-Tile sheet metal substitute tile H+V type015 kit	103004-015	Alu-Tile RED H+V type015 kit
Forma	103003-022	Alu-Tile sheet metal substitute tile H+V type022 kit	103004-022	Alu-Tile RED H+V type022 kit
Eternit				
Göteborg / Heidelberg	103003-000	Alu-Tile sheet metal substitute tile H+V type000 kit	103004-000	Alu-Tile RED H+V type000 kit
Jungmeier				
Interlocking tile	103003-002	Alu-Tile sheet metal substitute tile H+V type002 kit	103004-002	Alu-Tile RED H+V type002 kit
Koramic				
Migeon Tuile Actua (batten distance: not less than 345 mm !)	103003-023	Alu-Tile sheet metal substitute tile H+V type023 kit	103004-023	Alu-Tile RED H+V type023 kit
Nelskamp				
S-pantile	103003-000	Alu-Tile sheet metal substitute tile H+V type000 kit	103004-000	Alu-Tile RED H+V type000 kit
Finkenberger pantile	103003-010	Alu-Tile sheet metal substitute tile H+V type010 kit	103004-010	Alu-Tile RED H+V type010 kit
Nibra F7 ¹	103003-021	Alu-Tile sheet metal substitute tile H+V type021 kit	103004-021	Alu-Tile RED H+V type021 kit
Redland				
Stoneworld II	103003-030	Alu-Tile sheet metal substitute tile H+V type030 kit		
Rupp Keramik				
Rubin	103003-020	Alu-Tile sheet metal substitute tile H+V type020 kit	103004-020	Alu-Tile RED H+V type020 kit
Swiss manufacture - ZZWancor Swiss				
Flat interlocking tile Jura 13	103003-009	Alu-Tile sheet metal substitute tile H+V type009 kit	103004-009	Alu-Tile RED H+V type009 kit
Züricher Ziegelei Istigh. 290	103003-009	Alu-Tile sheet metal substitute tile H+V type009 kit	103004-009	Alu-Tile RED H+V type009 kit
Flat interlocking tile Fama	103003-009	Alu-Tile sheet metal substitute tile H+V type009 kit	103004-009	Alu-Tile RED H+V type009 kit
Pantile Pada 13	103003-011	Alu-Tile sheet metal substitute tile H+V type011 kit	103004-011	Alu-Tile RED H+V type011 kit
Swiss manufacture - Istighofener Swiss				
Double interlock 425 x 250 mm	103003-012	Alu-Tile sheet metal substitute tile H+V type012 kit	103004-012	Alu-Tile RED H+V type012 kit
Tejas Borja				
TB-12	103003-029	Alu-Tile sheet metal substitute tile H+V type029 kit	103004-029	Alu-Tile RED H+V type029 kit
Clay roofing				
SULM shifting tile	103003-018	Alu-Tile sheet metal substitute H+V tile type018 kit	103004-018	Alu-Tile RED H+V type018 kit

¹ Additional measures: The tiles must be slightly modified! Please refer to our supplementary documents to the mounting instruction. Prices vary!

² Sheet metal substitute tile with lower connection piece in red, system hook made of non-coated aluminium



Biberschwanz (plain tile) roof hook

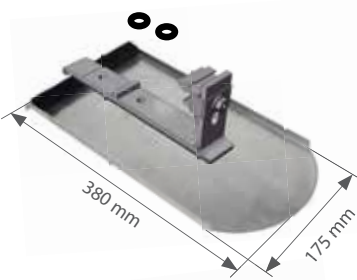
- Quality high-grade steel

Please check if the hook design is suitable for the respective roof material.



103001-001 Roof hook Biberschwanz (basic)

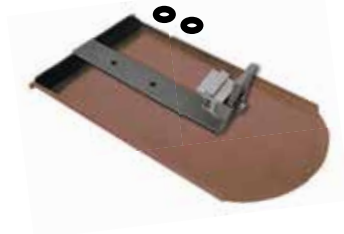
	a	b	c	d	e	f	g	h
mm	45	255	125	60	30	30	5	5



103014-000 Biberschwanz (plain tile) fastening kit Rapid Alu

	a	b	c	d	e	f	g	h
mm	--	228	--	--	35	35	--	7

*Biberschwanz (plain tile) aluminium substitute tile with aluminium system hook
Suitable for Biberschwanz (plain tile) format 180/380 mm*



103014-010 Biberschwanz (plain tile) Rapid fastening kit, copper

Design with Biberschwanz (plain tile) copper substitute plate with system hook made of high-grade steel 1.4301

SlatePlan to be fastened with hanger bolts

SlatePlan can be used on shingle roofing, e.g. of bitumen, fibre, cement or slate for connecting hanger bolt systems. Accessories: See Corrugated Roof Fastening



109017-000 SlatePlan with gasket 270x200x0.5 mm

109017-001 SlatePlan with gasket 370x200x0.5 mm

109017-002 SlatePlan with gasket 580x200x0.5 mm

Roof hooks

Fastening elements

Roof hooks for metal tiles (for example Prefa)

- Quality high-grade steel
- Without plate

The roof pitch is the main criterion to determine the optimum type of mounting for slate roofs!



KlickTop



102001-000 Roof hook Slate (basic)

	Length	Height	Width	Thickness
mm	235	75	30	5

102001-003 Roof hook Slate KlickTop

102001-001 Roof hook Slate V (Vario)

	Length	Height	Width	Thickness
mm	235	60-90	30	5

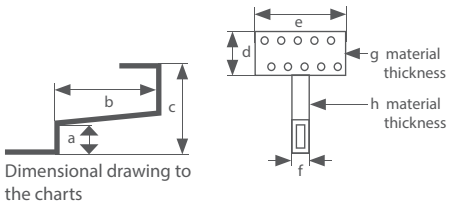


Roof hook special design Bitumen

- Particularly flat hooks
- Designed particularly for fastening between bitumen tiles

109001-000 Roof hook Bitumen

	Length	Height	Width	Thickness
mm	255	75	40	4



Roof hook special design Tegalit

- No fastening plate
- For flat Tegalit tiles



109003-000 Roof hook Tegalit

	a	b	c	d	e	f	g	h
mm	52	180	132	60	30	30	5	5

Roof hook PP

- For purlin roofs with pantile roofing

Due to the arrangement of purlins, this hooks must generally be combined with a cross rail system.



109004-000 Roof hook system PP Purlin Pan

	a	b	c	d	e	f	g	h
mm	50	110	135	200	50	35	5	6

Roof hook Mönch-Nonne (Spanish tile)

- For special tile designs - Mönch / Nonne
- Particularly in South European countries.



109005-000 Roof hook Mönch Nonne - purlin (adjustable)

	a	b	c	d	e	f	g	h
mm	100-130	110	185-215	200	50	35	5	6



109005-001 Roof hook Mönch Nonne - rafter (adjustable)

	a	b	c	d	e	f	g	h
mm	100-130	110	185-215	60	150	35	5	6

Design for rafters or concrete

Roof hooks

Fastening elements

Roof hook accessories



109006-002 Shim 2 mm DN 8

109006-005 Shim 5 mm DN 8

Distance piece for roof hook mounting (to be used in pairs)



973000-017 Spacer plate 2 mm EcoG / EcoS / Rapid Standard

973000-018 Spacer plate 5 mm EcoG / EcoS / Rapid Standard

973000-019 Spacer plate 2 mm VaMax / Rapid Max

973000-020 Spacer plate 5 mm VaMax / Rapid Max

Distance piece for roof hook mounting



973000-683 Roof hook sealing tape grey TP600 10m



Application example



109008-000 KlickTop roof hook attachment

Designed particularly for special roof hooks which are not available as KlickTop.

Not appropriate for bitumen roof hooks!



Application example



109009-002 Plastic distance tube, custom cut

- For on-rafter insulation
- Applicable as a distance piece for on-rafter insulations in combination with extra long bolts;
- Plastic design prevents cold bridges
- Please specify desired length when ordering
- Screws must be ordered separately!
- Consider the reduced permissible load per hook!

109010-000 Additional angle bracket Iso07

- for roof hook fastening - System Iso07



Application example



109014-000 ECO90 angle bracket kit

- for roof hooks

Allows roof-hook mounting on structures with glue-laminated girders. Incl. bolts and nuts for fastening ECO90 angle brackets to the roof hooks.

Compatible with all Schletter roof hooks, except:

100001-000 Roof hook Universal

100001-001 Roof hook Universal KlickTop

101004-000 Roof hook Rapid2+ Universal

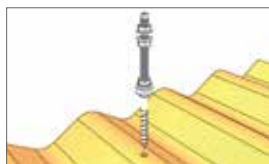
Technical data

Material	Roof hooks and screws: High-grade steel 1.4301 Distance pieces, compensating plates, KlickTop and Rapid rail clamping. Aluminium; sheet metal parts: High-grade steel 1.4301
Planning aid	Configuration and structural dimensioning with the AutoCalculator Easy and the Schletter Configurator.
Structural analysis	Structural analysis in accordance with current national standards (in Germany EN 1991, EC1). Structural analysis annex for dimensioning the number of required fastening points, based on structural analysis. Always observe the structural analysis information! The verification of the adhesive force of the roof to the substructure is not included in the general structural analysis attachments!

Further information at: www.schletter.eu

Fastening on corrugated roofs

Fastening elements



Assembly diagram

Overview of fasteners for corrugated roofs

For corrugated eternit or trapezoidal sheet metal roofs, so-called corrugated roof fastening kits are used, comprising a special hanger bolt with EPDM gasket and a mounting plate. Please note that the thread lengths can deviate from the figures.



943810-160 Loose hanger bolts without nuts, M10x160 mm

943810-200 Loose hanger bolts without nuts, M10x200 mm

943810-250 Loose hanger bolts without nuts, M10x250 mm

943812-200 Loose hanger bolts without nuts, M12x200 mm

943812-250 Loose hanger bolts without nuts, M12x250 mm

943812-300 Loose hanger bolts without nuts, M12x300 mm

943812-350 Loose hanger bolts without nuts, M12x350 mm

943812-400 Loose hanger bolts without nuts, M12x400 mm



110010-200 Hanger bolt kit 10x200 assembled M10x200 mm

110010-250 Hanger bolt kit 10x250 assembled M10x250 mm

110012-200 Hanger bolt kit 12x200 assembled M12x200 mm

110012-250 Hanger bolt kit 12x250 assembled M12x250 mm

110012-300 Hanger bolt kit 12x300 assembled M12x300 mm

110012-350 Hanger bolt kit 12x350 assembled M12x350 mm

110012-400 Hanger bolt kit 12x400 assembled M12x400 mm

Pre-assembled hanger bolt kit with vulcanized EPDM gasket (UV-resistant) and 3 high-grade steel flange nuts, assembled



111110-200 Fastening kit for corrugated roofs 10x200 KlickTop M10x200 mm

111112-200 Fastening kit for corrugated roofs 12x200 KlickTop M12x200 mm

111112-250 Fastening kit for corrugated roofs 12x250 KlickTop M12x250 mm

111112-300 Fastening kit for corrugated roofs 12x300 KlickTop M12x300 mm

111112-400 Fastening kit for corrugated roofs 12x400 KlickTop M12x400 mm

KlickTop fastening kit for corrugated roofs incl. KlickTop kit, hanger bolt with vulcanized EPDM gasket (UV-resistant) and 3 high-grade steel flange nuts



111312-200 Welldach Plus fastening kit for corrugated roofs 12x200 M12x200 mm

111312-250 Welldach Plus fastening kit for corrugated roofs 12x250 M12x250 mm

111312-300 Welldach Plus fastening kit for corrugated roofs 12x300 M12x300 mm

Welldach Plus fastening kit for corrugated roofs incl. Rapid attachment, hanger bolt with vulcanized EPDM gasket (UV-resistant), thread gasket and 3 high-grade steel flange nuts



111412-200 Plus twin fastening kit for corrugated roofs M12x200 mm

111412-250 Plus twin fastening kit for corrugated roofs M12x250 mm

111412-300 Plus twin fastening kit for corrugated roofs M12x300 mm

Twin fastening kit for corrugated roofs incl. Rapid attachment, hanger bolt with vulcanized EPDM gasket (UV-resistant) and 6 high-grade steel flange nuts, suitable for fibre cement plates or "Berliner Welle" 133 / 177 mm



119002-000 Mounting plate for hanger bolt M10/M12

for hanger bolts M10/M12, loose, aluminium
120x60x6 mm

119003-000 Twin mounting plate for hanger bolts M10/M12

for hanger bolts M10/M12, loose, aluminium
Extra stable design

119014-001 Cap profile 50 mm long d11 d11 d11

for hanger bolts M10 (middle hole), loose, aluminium
middle hole: 11 mm, outer holes: 11 mm

119014-000 Cap profile 50 mm long d11 d13 d11

for hanger bolts M12 (middle hole), loose, aluminium
middle hole: 13 mm, outer holes: 11 mm

119001-000 KlickTop attachment for hanger bolt

for hanger bolts M10/M12, loose, aluminium

119001-900 KlickTop attachment for hanger bolt, black anodized

for hanger bolts M10/M12, loose, aluminium

973000-002 EPDM seal for hanger bolt M10/M12

EPDM, UV-resistant

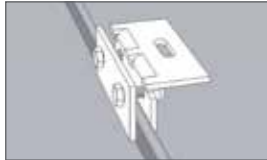
Technical data

Material	Bolts: High-grade steel 1.4301 Mounting plate / KlickTop attachment: Aluminium Rubber seal: vulcanized EPDM gasket (UV-resistant)
Planning aid	Configuration and structural dimensioning with the AutoCalculator Easy and the Schletter Configurator.
Structural analysis	Structural analysis in accordance with national standards (in Germany EN 1991, EC1). Appendices for dimensioning the number of required fastening points, based on structural analysis. Always observe the structural analysis information! Verification of adhesive forces of a roof to the substructure is not included in the respective structural analysis appendices!

Further information at: www.schletter.eu

Fastening on corrugated roofs

Fastening elements



Assembly diagram

Overview of clamps for sheet metal roofs

For almost any of application!

Please note: Please limit the tightening torque to avoid deformation of the standing seams and to make sure that thermal expansion of the metal sheets is not impeded!

Abbreviations

AL = Aluminium clamp
 VA = High grade steel clamp
 KK = Klick channel e.g. for KlickTop cross connector
 KT = with KlickTop connector
 Rapid = for Rapid module clamps
 * = general technical approval has been applied for



For KlickTop

112001-000 Seam clamp 503 VA for standing seam roof

Please note: With titanium sheeting, please verify that the standing seams have sufficient load-bearing capacity!

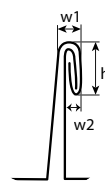
112001-001 Seam clamp 503 AL KK for standing seam roof



For KlickTop

112001-010 Seam clamp 504 AL KK for standing seam roof

especially suitable for double lock standing seam roofs made of titanium zinc sheet metal



Possible dimensions of the seam (see dimension drawing on the left)
 $h = 11 - 13 \text{ mm}$, $w1 = 4 - 6 \text{ mm}$, $w2 = \text{max. } 3 \text{ mm}$

The standing seam clamp 504 was developed in cooperation with the company Rheinzink for double lock standing seam roofs made of titanium zinc sheet metal and has been confirmed by Rheinzink as a good solution. Profiles (rails) that are fastened to standing seams must not exceed a length of about 3 meters without thermal separation.



For KlickTop

112002-000 Seam clamp 510 AL for KalZip and similar designs

for KalZip, Bemo, Monteco Eurorib E500 and similar designs

112002-002 Seam clamp 510 AL KK for KalZip and similar designs



For KlickTop

112003-000 Seam clamp 520 AL for Zambelli RibRoof465

for Zambelli RibRoof, design width 465 and similar designs

112003-001 Seam clamp 520 VA for Zambelli RibRoof465

112003-002 Seam clamp 520 AL KK for Zambelli RibRoof465



For KlickTop

112004-000 Seam clamp 522 AL for Zambelli RibRoof500
for Zambelli RibRoof, design width 500
and similar designs

112004-001 Seam clamp 522 AL KK for Zambelli RibRoof500

112005-000 Seam clamp 522 VA for Zambelli RibRoof500



For KlickTop

112006-000 Seam clamp 524 AL for Fischer KlipTec52-400*
for Fischer KlipTec 52/400
and similar designs

112006-001 Seam clamp 524 AL KK for Fischer KlipTec52-400*



112007-000 Seam clamp 525 VA for Domico Domitec*
for Domico and similar designs



112010-000 Seam clamp 530 VA KT for RiverClack
for RiverClack and similar designs



112010-002 Seam clamp 530 VA Rapid for RiverClack
for RiverClack and similar designs



112012-000 Seam clamp 540 AL KT for KlipLok 700 HiStrength
for KlipLok 700 HiStrength and similar designs



112012-001 Seam clamp 540 AL KT for KlipLok 700 Classic / 406
for KlipLok Classic 700, KlipLok 406 and similar designs



112014-000 Seam clamp 550 AL KK for Universal
for seams of max. 47 mm width and 25 mm height



129004-000 KlickTop cross connector kit M8
with bolt, Klick component and square nut for Klick groove M8
for the mounting of rails to the standing seam clamps using KlickTop



129063-000 Rapid cross connector
Completely pre-assembled for Klick groove M8
for cross rail system

Fastening on corrugated roofs

Fastening elements



Assembly diagram



Trapezoidal clamp Fix 2000

The universal fastener for trapezoidal sheet metal for steel plate starting from a thickness of 0.55 and aluminium plate starting from a thickness of 0.8 mm; Also available for steel plate and aluminium plate starting from 0.5 mm; Customized production (measurement check list is available for download)! Read the instructions for use carefully!

113002-000 Fix2000 KlickTop

incl. 4 sheet metal screws

113002-001 Fix2000 KlickTop with seal

Design with glued-in EPDM rubber
incl. 4 self-tapping screws

113002-050 Fix2000 KlickTop - Metecno G4

Design with glued-in EPDM rubber
incl. 4 sheet metal screws

113002-051 Fix2000 KlickTop - Fischer Therm/Fireproof

Design with glued-in EPDM rubber
incl. 4 sheet metal screws



113001-000 Fix2000 Standard

incl. 4 sheet metal screws and 1 screw kit M10

113001-001 Fix2000 Standard with seal

Design with glued-in EPDM rubber
incl. 4 sheet metal screws and 1 screw kit M10



973000-014 EPDM gasket for do-it-yourself assembly

(10 m - Roll, 48 mm wide)

119009-000 Gauging tool for Fix2000

(for measuring trapezoidal sheet dimensions)

System VarioFix

The universal fastening for trapezoidal steel and aluminium sheet metal starting from a thickness of 0.5 mm;
Read the instructions for use carefully!



113009-100 SingleFix-V Solo pair kit
(2 x SingleFix-V Solo, 4 sheet metal screws)
For use with e.g. mounting rail Solo

113009-103 SingleFix-V Solo 20 pair kit - for low trapeze heights starting from 20 mm

113009-104 SingleFix-V Solo pair kit - Fischer



113009-101 SingleFix-V Profi pair kit
(2 x SingleFix-V Solo, 4 sheet metal screws)
For use with e.g. mounting rail Profi

113009-105 SingleFix-V Solo pair kit - Fischer



113009-200 SingleFix-V Solo mounting kit
(2 x SingleFix-V Solo, 4 sheet metal screws)
rail piece Solo 450 mm

113009-202 SingleFix-V Solo 20 mounting kit - for low crown/trapeze heights of 20 mm or more

113009-203 SingleFix-V Solo mounting kit - Fischer



113011-100 SingleFix-HU kit
(2 x SingleFix-V Solo, 4 sheet metal screws, SingleFix-HU profile)

113011-101 SingleFix-HU 20 kit - for low trapeze heights of 20 mm or more

113011-102 SingleFix-HU kit - Fischer



119015-002 Punched mounting tape 6; 50 m

For connecting individual clamps as a potential connection or for binding the string cabling if mounting rails cannot be deployed

Fastening on corrugated roofs

Fastening elements

System ClampFit-H

The cost-optimized fastening system for trapezoidal sheet metal made of steel sheet and aluminum sheet starting from a thickness of 0.5 mm;
Read the instructions for use carefully!



130004-001 ClampFit-H middle clamp 30-35 mm kit

130004-002 ClampFit-H middle clamp 36-40 mm kit

130004-003 ClampFit-H middle clamp 41-45 mm kit

130004-004 ClampFit-H middle clamp 46-51 mm kit



130003-030 ClampFit-H end clamp 30 mm kit

130003-031 ClampFit-H end clamp 31 mm kit

130003-033 ClampFit-H end clamp 33 mm kit

130003-034 ClampFit-H end clamp 34 mm kit

130003-035 ClampFit-H end clamp 35 mm kit

130003-038 ClampFit-H end clamp 38 mm kit

130003-040 ClampFit-H end clamp 40 mm kit

130003-042 ClampFit-H end clamp 42 mm kit

130003-045 ClampFit-H end clamp 45 mm kit

130003-046 ClampFit-H end clamp 46 mm kit

130003-048 ClampFit-H end clamp 48 mm kit

130003-050 ClampFit-H end clamp 50 mm kit

Fastening component FixPlan

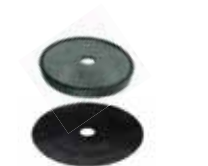
The alternative for flat sheet metal roofs where fastening to the seams is not possible (for example titanium zinc metal roofs).



114003-001 FixPlan 10x200 KlickTop with hanger bolt 10x200

114001-001 FixPlan 12x200 KlickTop with hanger bolt 12x200

114002-001 FixPlan 12x200 KlickTop with hanger bolt 12x300



114003-000 FixPlan sealing mat

114004-000 Bituplan additional seal for FixPlan

For mounting on bitumen roof coverings

Important information on structural safety

- A sufficient holding force of the metal sheet to the substructure is compulsory when mounting a structure on the roof cladding. Please remember that these structural verifications must be provided by the customer!
- Sheet metal is particularly prone to stress caused by inclined solar plants. Please ensure a sufficient number of fastening points and provide proof of the holding capacity of the roof covering.
- The verified holding force of the standing seam clamp to the roof can be taken from the respective system structural analysis.
- Take into account the additional stress at roof edges and in the corner zones, or avoid these areas altogether when planning the plant assembly.
- The self-weight of the PV plant must be added to the snow load in order to calculate the maximal load incurred on the roof covering.







Technical data

Material	Bolts: High-grade steel 1.4301 Profiles (rails): EN AW 6063 T66 / AlMgSi0.5 Sheet metal components: High-grade steel 1.4302
Planning aid	Configuration and structural dimensioning with the AutoCalculator Easy and the Schletter Configurator.
Structural analysis	Structural analysis in accordance with current national standards (in Germany DIN EN 1991, EC1). Structural analysis appendices for dimensioning the number of required fastening points, based on structural calculations and verifications by pull tests. Always observe the structural analysis information! The verification of the adhesive force of the roof to the substructure is not included in the general structural analysis annexes!

Further information at: www.schletter.eu

FixE und FixT

Fastening elements

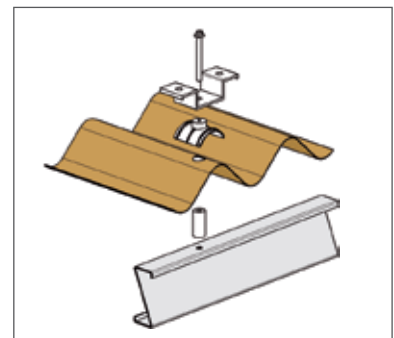
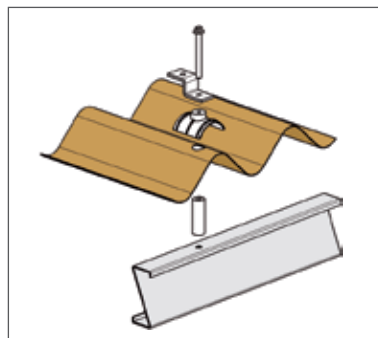
					Wood
					Steel
1	2	3	4	5	FixE/T Size

Applicable sizes

FixE and FixT Overview

The innovative fastening solution for steel and wooden purlins.
Order to be submitted by means of ↻ checklist FixE / FixT only

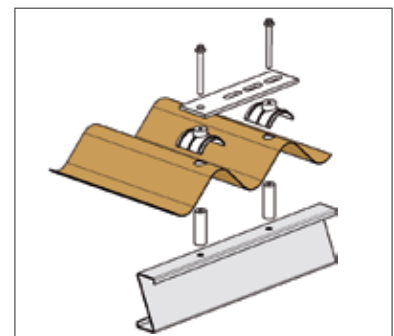
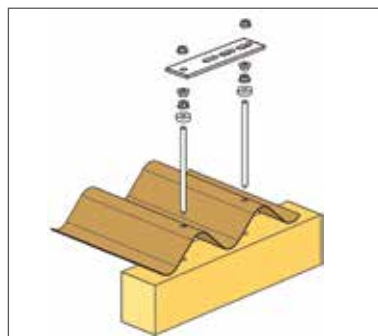
111006-000 FixE size 1 single fastening kit



111007-000 FixE size 2 twin fastening kit, plate

For distances between crowns
 • of 133 and 177 mm, +/- 10 mm

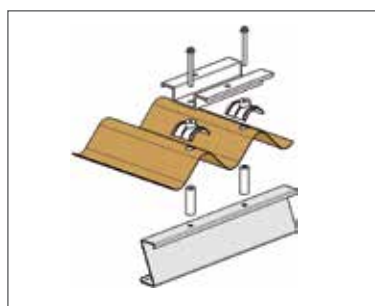
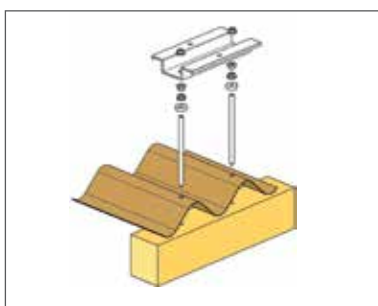
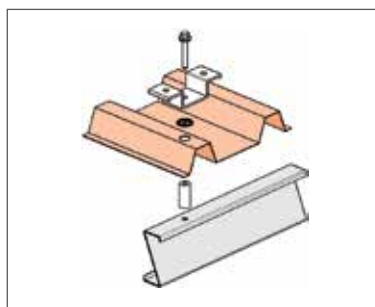
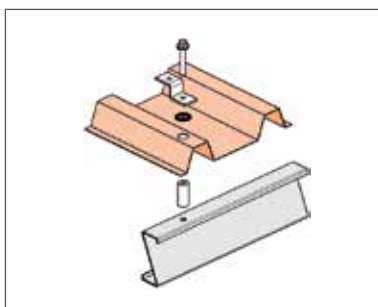
Slotted holes allow adjustment



Attention!
 Twin fastening kit for
 corrugated roofs: Item
 numbers and info on
 Page 17

111008-000 FixE size 3 twin fastening kit, cap profile

Manufacture in accordance with check lists

**113004-000** FixT size 1 single fastening kit**113005-000** FixT size 2 twin fastening kit

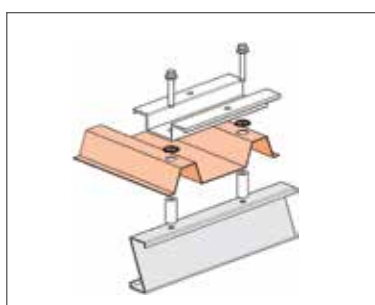
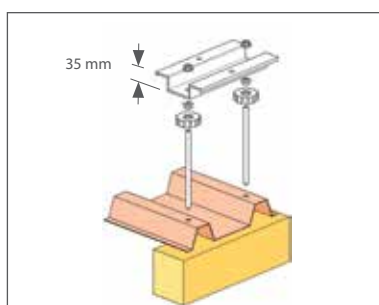
For distances between crowns of

- up to 250 mm
- up to hanger bolt size M10

113006-000 FixT size 3 twin fastening kit

For distances between crowns of

- more than 250 mm



FixE und FixT

Fastening elements

113007-000 FixT size 4 quadruple fastening kit

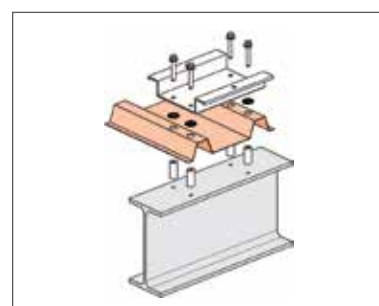
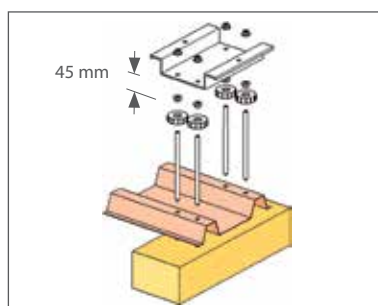
For distances between crowns of

- up to 250 mm

113008-000 FixT size 5 quadruple fastening kit

For distances between crowns of

- more than 250 mm



Area of application

Elevation systems such as CompactVario and CompactGrid

Important information on structural safety

Support elements are adapted to the roof covering in accordance with the check list; the corresponding screws are selected and the distance tube length is determined. The structural dimensioning of the complete construction (roof connections, support plates, elevation) is carried out using a convenient structural analysis program.

Technical data

Material	Bolts: Quality steel 1.4301, 8 mm for steel purlins, hanger-bolts M10 or M12 for wooden purlins. Distance tubes: Alu, diam. 20 mm / 16 mm (only with steel purlins): Concentric EPDM gasket, UV-resistant in steel purlin assemblies. Custom-designed sealing top or rubber for corrugated roofs with wooden purlin assemblies. Sealing collar, EPDM rubber-moulded part, UV-resistant Load-bearing elements: Cap profile: Aluminium; Fastening bracket VA (FixE1) or aluminium mounting plate (FixE2)
Planning aid	Configuration and structural dimensioning with the AutoCalculator Easy and the Schletter Configurator.
Structural analysis	Structural calculation in accordance with current national standards (in Germany EN 1991, EC1). a) Roof-parallel mounting: Tables containing the number of fastening points b) Inclined systems: Structural analysis project planning program CompactVario

MODULE CLAMPS

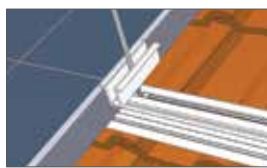
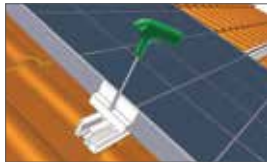
Our range of module clamps:

Clamps for framed modules

Clamps for unframed modules

For framed modules

Module clamps



Assembly diagram

For framed modules

Module clamps for almost any module design.

Aluminium module end clamps for framed modules

Optimum holding force in the critical edge zones of the solar plant.

Module middle clamps, length 100 mm, bars 3 mm

Optimal distribution of clamping pressure along the module frame

Gap between modules: approx. 20 mm

Module clamps without accessories

Frame height mm	Anodized in black			End clamp	Middle clamp	Earth. mid. clamp	Compatible sock- et head screw mm
	End clamp	Middle clamp	Earth. mid. clamp				
24	130001-024	130002-000	135001-000			135001-900	30
30	130001-030	130002-000	135001-000			135001-900	35
31	130001-031	130002-001	135001-001	130001-931	130002-901	135001-901	20
32	130001-032	130002-001	135001-001		130002-901	135001-901	20
34	130001-034	130002-001	135001-001		130002-901	135001-901	20
35	130001-035	130002-001	135001-001	130001-935	130002-901	135001-901	20
36	130001-036	130002-001	135001-001	130001-936	130002-901	135001-901	25
38	130001-038	130002-001	135001-001	130001-938	130002-901	135001-901	25
40	130001-040	130002-001	135001-001	130001-940	130002-901	135001-901	25
42	130001-042	130002-001	135001-001	130001-942	130002-901	135001-901	30
43	130001-043	130002-001	135001-001	130001-943	130002-901	135001-901	30
45	130001-045	130002-001	135001-001	130001-945	130002-901	135001-901	30
46	130001-046	130002-001	135001-001	130001-946	130002-901	135001-901	35
50	130001-050	130002-001	135001-001	130001-950	130002-901	135001-901	35

➔ see screws, bolts and accessories



135004-000 Shim for module grounding (earthing)

139003-000 VA module clamp "claw" (for example for Sanyo module, accessories: M8x35)

130002-002 Middle clamp 31-51 mm with snow guard

130002-003 Design with a length of 300 mm

130002-903 Design with a length of 300 mm, anodized in black

Rapid²⁺ aluminium module clamps, assembled
incl. screw for TX M8 key
Serrated flange and anti-friction coating

Rapid²⁺ assembled module clamps Alignment: Vertical

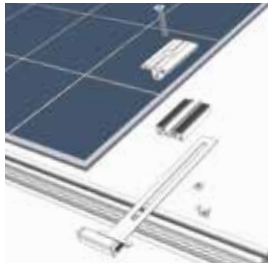
Frame height mm	Anodized in black				Anodized in black			
	End clamp	End clamp Universal	Middleclamp	Grounding Middle clamp	End clamp	End clamp Universal	Middle clamp	Grounding Middle clamp
30	131001-030	131002-000	131003-000	135002-000	131001-930	131002-900	131003-900	135002-900
31	131001-031	131002-000	131003-000	135002-000	131001-931	131002-900	131003-900	135002-900
32		131002-000	131003-000	135002-000		131002-900	131003-900	135002-900
33	131001-033	131002-000	131003-000	135002-000	131001-933	131002-900	131003-900	135002-900
34	131001-034	131002-000	131003-000	135002-000	131001-934	131002-900	131003-900	135002-900
35	131001-035	131002-000	131003-000	135002-000	131001-935	131002-900	131003-900	135002-900
36	131001-036	131002-000	131003-000	135002-000	131001-936	131002-900	131003-900	135002-900
37	131001-037	131002-000	131003-000	135002-000		131002-900	131003-900	135002-900
38	131001-038	131002-000	131003-000	135002-000	131001-938	131002-900	131003-900	135002-900
39		131002-000	131003-000	135002-000		131002-900	131003-900	135002-900
40	131001-040	131002-001	131003-001	135002-001	131001-940	131002-901	131003-901	135002-901
41	131001-041	131002-001	131003-001	135002-001		131002-901	131003-901	135002-901
42	131001-042	131002-001	131003-001	135002-001	131001-942	131002-901	131003-901	135002-901
43		131002-001	131003-001	135002-001	131001-943	131002-901	131003-901	135002-901
44	131001-044	131002-001	131003-001	135002-001		131002-901	131003-901	135002-901
45	131001-045	131002-001	131003-001	135002-001	131001-945	131002-901	131003-901	135002-901
46	131001-046	131002-001	131003-001	135002-001	131001-946	131002-901	131003-901	135002-901
47		131002-001	131003-001	135002-001		131002-901	131003-901	135002-901
48		131002-001	131003-001	135002-001		131002-901	131003-901	135002-901
49		131002-001	131003-001	135002-001		131002-901	131003-901	135002-901
50	131001-050	131002-001	131003-001	135002-001	131001-950	131002-901	131003-901	135002-901

Alignment: Horizontal (Linear clamping: Clamping wedge turned by 90°)

30		131011-000	131012-000					
31	131010-031	131011-000	131012-000					
32		131011-000	131012-000					
33		131011-000	131012-000					
34		131011-000	131012-000					
35	131010-035	131011-000	131012-000					
36		131011-000	131012-000					
37		131011-000	131012-000					
38	131010-038	131011-000	131012-000					
39	131010-039	131011-000	131012-000					
40	131010-040	131011-001	131012-001	135011-001	131010-940	131011-901	131012-901	135011-901
41		131011-001	131012-001	135011-001		131011-901	131012-901	135011-901
42	131010-042	131011-001	131012-001	135011-001		131011-901	131012-901	135011-901
43		131011-001	131012-001	135011-001		131011-901	131012-901	135011-901
44		131011-001	131012-001	135011-001		131011-901	131012-901	135011-901
45	131010-045	131011-001	131012-001	135011-001		131011-901	131012-901	135011-901
46	131010-046	131011-001	131012-001	135011-001	131010-946	131011-901	131012-901	135011-901
47	131010-047	131011-001	131012-001	135011-001		131011-901	131012-901	135011-901
48		131011-001	131012-001	135011-001		131011-901	131012-901	135011-901
49		131011-001	131012-001	135011-001		131011-901	131012-901	135011-901
50	131010-050	130011-001	131012-001	135011-001	131010-950	131011-901	131012-901	135011-901

For unframed modules

Module clamps



Assembly diagram

For unframed modules

Laminate Profi, Eco & GS series

For different module thicknesses

Note: Observe tightening torque!

(see also: General information on laminate mounting)

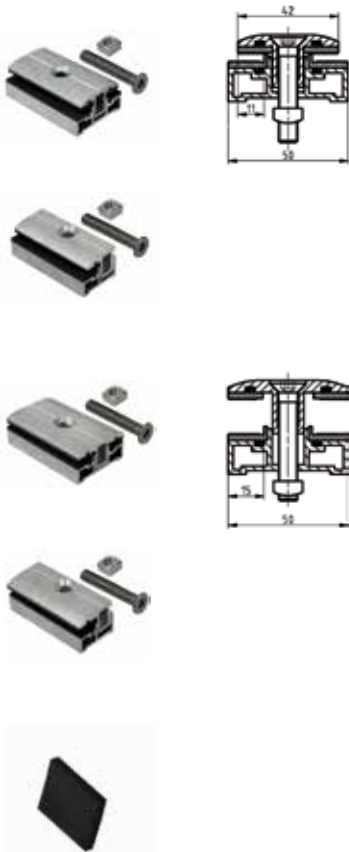
Laminate Profi series

for laminates of thickness of 3-14 mm

Module engagement length into the clamp: Profi narrow: 11 mm, Profi wide: 15 mm

Length: 80 mm, gap between modules approx. 20 mm

incl. countersunk head screw and square nut



132201-308 Middle clamp Profi narrow 3-8 mm kit

132201-914 Middle clamp Profi narrow 9-14 mm kit

132101-308 End clamp Profi narrow 3-8 mm kit

132101-914 End clamp Profi narrow 9-14 mm kit

132202-308 Middle clamp Profi wide 3-8 mm kit

132202-914 Middle clamp Profi wide 9-14 mm kit

132102-308 End clamp Profi wide 3-8 mm kit

132102-914 End clamp Profi wide 9-14 mm kit

139001-000 Rubber underlay for laminate mounting

This is inserted into the cross beam and prevents sagging of the modules. Only to be used with Profi laminate!

Eco laminate series

Length of the aluminium clamp: 70 mm, engagement length into the glass: 11 mm, gap between the modules: about 22 mm, (no pressing of the laminate)



Non-coated aluminium Anodized in black

133240-140	133241-940	Middle clamp Eco4 laminate 4 mm kit
133140-140	133141-940	End clamp Eco4 laminate 4 mm kit

With accessories M8x20, without KlickIn click component!



Non-coated aluminium Anodized in black

133260-168	133261-968	Middle clamp Eco6 laminate 6.8 mm kit
133160-168	133161-968	End clamp Eco6 laminate 6.8 mm kit

*With accessories M8x20, without KlickIn click component!
With EPDM rubber bordering the aluminium clamp.*



Non-coated aluminium

133264-168	Middle clamp Eco6-S4 laminate 6.8 mm kit
133164-168	End clamp Eco6-S4 laminate 6.8 mm kit

*With accessories M8x20, without KlickIn click component!
With EPDM rubber bordering the aluminium clamp.*

Certified clamp for First Solar series 4 modules made of highly insulating EPDM rubber material. You can look up the certifications in the download area at www.schletter.eu



Non-coated aluminium Anodized in black

133280-180	133280-981	Middle clamp Eco8 laminate 8 mm kit
133180-180	133180-981	End clamp Eco8 laminate 8 mm kit

*With accessories M8x20, without KlickIn click component!
With EPDM rubber framing the aluminium clamp.*

On request, Eco clamps are also available in customized lengths

For unframed modules

Module clamps



Non-coated aluminium Anodized in black

139004-000	139004-900	Shim for Eco module clamp for a raised contact surface
-------------------	-------------------	---



973000-012		Distance piece for laminate thickness of 4-10 mm
-------------------	--	---



Non-coated aluminium black

139008-000	139008-900	Safety hook for laminate thickness 6.8 mm
139008-001	139008-901	Safety hook for laminate thickness 8 mm

STANDARD RAILS AND ACCESSORIES

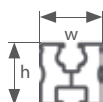
Our standard rails (profiles) and accessories:

Rail series 05

Rail series 05

Standard rails (profiles) and accessories

Rail series 05



The rail series 05 for the proven Klick system with suitable accessories. Assembly with square nuts, Klick system and Rapid2+

➔ **Structural analysis charts for cross beams**

➔ **Load determination on the internet: www.schletter.eu**

(Download > Solar Mounting Systems > Software & Calculation)



for narrow spans

EcoLight module-bearing rail

Mechanical connection

At the top: M8 Klick groove

At the bottom: M10 screw duct

w	h
30 mm	30 mm

Non-coated aluminium

120011-001	Custom cut
120011-04200	4.2 m
120011-006	6.0 m
120011-06200	6.2 m



for narrow spans

Module bearing rail Eco05

Mechanical connection

At the top: M8 Klick groove

At the bottom: M10 screw duct

w	h
30 mm	30 mm

Non-coated aluminium

120001-001	Custom cut
120001-004	4.0 m
120001-04200	4.2 m
120001-006	6.0 m
120001-06200	6.2 m



Module-bearing rail SoloLight

Mechanical connection

At the top: M8 Klick groove
At the bottom: M10 screw duct
(Not to be combined with 129009-xxx)

w	h
40 mm	40 mm

Non-coated aluminium Anodized in black

120005-001		Custom cut
120005-004	120005-904	4.0 m
120005-04200		4.2 m
120005-006	120005-906	6.0 m
120005-06200		6.2 m



for wider spans

Module bearing rail Solo05

Mechanical connection

At the top: M8 Klick groove
At the bottom: M10 screw duct

w	h
40 mm	40 mm

Non-coated aluminium Anodized in black

120002-001		Custom cut
120002-004	120002-904	4.0 m
120002-04200		4.2 m
120002-006	120002-906	6.0 m
120002-06200		6.2 m



with cable duct

Module bearing rail Profi05

Mechanical connection

At the top: M8 Klick groove
At the bottom: M10 screw duct

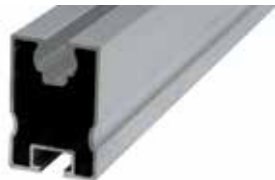
w	h
40/62 mm	40 mm

Non-coated aluminium Anodized in black

120003-001		Custom cut
120003-004	120003-904	4.0 m
120003-04200		4.2 m
120003-006	120003-906	6.0 m
120003-06200		6.2 m

Rail series 05

Standard rails (profiles) and accessories



Module-bearing rail SoloPlus

Mechanical connection

At the top: M8 Klick groove
At the bottom: M10 screw duct

w	h
40 mm	60 mm

Non-coated aluminium Anodized in black

120006-001 Custom cut

120006-004 **120006-904** 4.0 m

120006-006 **120006-906** 6.0 m

120006-06200 6.2 m



for wider spans

Module-bearing rail ProfiPlus05

Mechanical connection

At the top: M8 Klick groove
At the bottom: M10 screw duct

w	h
40 mm	60 mm

Non-coated aluminium Anodized in black

120004-001 Custom cut

120004-004 **120004-904** 4.0 m

120004-006 **120004-906** 6.0 m

120004-06200 6.2 m



129002-000 Connector Solo or ProfiPlus, loose



129002-001 Connector Solo or ProfiPlus, pre-assembled



Non-coated aluminium Anodized in black

129001-003 **129001-903** Connector E Eco, pre-assembled



Non-coated aluminium Anodized in black

129002-002 **129002-902** Connector E Solo, SoloLight, ProfiPlus, FixZ-7, FixZ-15, pre-assembled



Non-coated aluminium Anodized in black

129003-002 **129003-902** Connector E Profi, pre-assembled



129001-004 Eco interior connector kit

129060-001 Insertion connector Solo / Profi kit

Non-coated aluminium Anodized in black

129004-000 **129004-900** KlickTop cross connector kit M8
With bolt, KlickIn component and square nut for Klicknut M8 for cross rail system

➔ [GridNorm product sheet](#)

129063-000 **129063-900** Rapid cross connector
Completely pre-assembled for Klick groove M8 for cross rail system

➔ [Product sheet Rapid cross connector](#)

Grey

Black

129011-000 **129011-900** Plastic end cap Solo Profi05
Available with company logo on request with large volume orders.

129061-001 Ridge connector kit

Technical data

Material	Bolts/screws: Quality steel 1.4301; rails: EN AW 6063 T66 / AlMgSi0.5 Sheet metal components: High-grade steel 1.4301
Planning aid	Configuration and structural dimensioning with the AutoCalculator Easy and the Schletter Configurator.
Structural analysis	Structural analysis according to the current national standards standards (in Germany EN 1991, EC1). Appendices for dimensioning the number of required fastening points, based on structural analysis. Always observe the structural analysis information! The structural verification of adhesive forces of a roof to the substructure is not included in any of the general structural analysis appendices!

Further information at: www.schletter.eu

SYSTEM- RELATED COMPONENTS

Our range of system-related components:

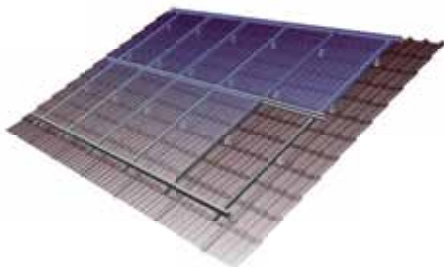
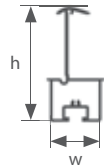
Lay-in system

Plandach5

FixZ-7, FixZ-15

Lay-in system

System-related components



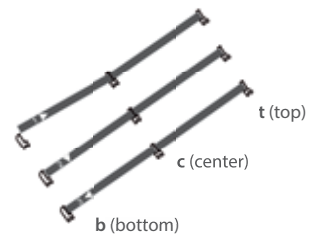
Lay-in system overview

The Schletter lay-in system for roofs

➔ **Structural analysis charts for cross beams**

➔ **Load determination software on the internet: www.schletter.eu**

(Download > Solar Mounting Systems > Software & Calculation)



Important information

Modules with certification for a bespoke frame can be mounted in lay-in systems if there is the accordant certification. The module frame must be designed to withstand larger loads, as the unsupported span is much wider if the modules are mounted vertically.

For roof applications



Module-bearing rail RI 1 - b

Module height	Non-coated aluminium	Anodized in black	Rail length
34 - 36 mm (w x h = 40 x 75 mm)	124812-001 124812-006	124812-906	Custom cut 6 m
40 - 42 mm (w x h = 40 x 81 mm)	124806-001 124806-006	124806-906	Custom cut 6 m
44 - 46 mm (w x h = 40 x 85 mm)	124809-001 124809-006	124809-906	Custom cut 6 m
50 mm (w x h = 40 x 89 mm)	124803-001 124803-006	124803-906	Custom cut 6 m

Mechanical connection: M10 screw duct



Module-bearing rail RI 1 - c

Module height	Non-coated aluminium	Anodized in black	Rail length
34 - 36 mm (w x h = 40 x 77 mm)	124811-001 124811-006	124811-906	Custom cut 6 m
40 - 42 mm (w x h = 40 x 83 mm)	124805-001 124805-006	124805-906	Custom cut 6 m
44 - 46 mm (w x h = 40 x 87 mm)	124808-001 124808-006	124808-906	Custom cut 6 m
50 mm (w x h = 40 x 92 mm)	124802-001 124802-006	124802-906	Custom cut 6 m

Mechanical connection: M10 screw duct



Module-bearing rail RI 1 - t			
Module height	Non-coated aluminium	Anodized in black	Rail length
34 - 36 mm (w x h = 40 x 74 mm)	124810-001 124810-006	124810-906	Custom cut 6 m
40 - 42 mm (w x h = 40 x 80 mm)	124804-001 124804-006	124804-906	Custom cut 6 m
44 - 46 mm (w x h = 40 x 84 mm)	124807-001 124807-006	124807-906	Custom cut 6 m
50 mm (w x h = 40 x 89 mm)	124801-001 124801-006	124801-906	Custom cut 6 m

Mechanical connection: M10 screw duct



129057-000 Rail connector, complete, RI 1, with self-drilling screws



Non-coated aluminium Anodized in black

149028-001	149028-901	Covering RI 1-b34-36
149021-001	149021-901	Covering RI 1-b40-42
149022-001	149022-901	Covering RI 1-b44-46
149003-001	149003-901	Covering RI 1-b50



Non-coated aluminium Anodized in black

149028-003	149028-903	Covering RI 1-c34-36
149021-003	149021-903	Covering RI 1-b40-42
149022-003	149022-903	Covering RI 1-c44-46
149003-003	149003-903	Covering RI 1-c50



Non-coated aluminium Anodized in black

149028-002	149028-902	Covering RI 1-t34-36
149021-002	149021-902	Covering RI 1-t40-42
149022-002	149022-902	Covering RI 1-t44-46
149003-002	149003-902	Covering RI 1-t50



943000-329 Barbed clout nail A2

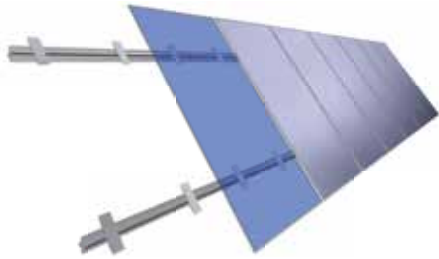


149004-000 Bottom spacer for lay-in system

149004-001 Top spacer for lay-in system

Lay-in system

System-related components



OptiBond

The bonding technique for an optimum mechanical connection to the sub-structure. For technical reasons, bonding of the OptiBond must be effected by the module manufacturer.

Please contact your module manufacturer.

Module-bearing rail OptiBond

For module height 50 mm

Mechanical connection

At the top: OptiBond anchor

At the bottom: M10 screw duct

Width	Height
40 mm	44 mm



loose



pre-assembled

124702-001 Custom cut

124702-004 4 m

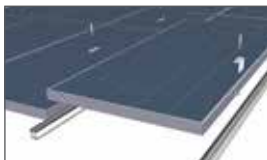
124702-006 6 m

129002-000 Connector Solo or ProfiPlus, loose

129002-001 Connector Solo or ProfiPlus, pre-assembled

In-roof system

System-related components



Assembly diagram (Plandach5)

In-roof system overview

The Schletter in-roof system



BiPv 2-11 - Project-specific

The BiPv 2-11 in-roof system has been designed for complete integration of unframed modules into the roof. The system has been certified in France.

➔ [Product sheet and mounting instructions BiPv 2-11](#)

Plandach 5 - Module-bearing profile

Uncoated aluminium Black anodized

122001-001		Custom cut
122001-006	122001-906	6 m
129032-000		Rubber underlay for the bearing rail of laminate modules
129033-000		Spacer profile at horizontal joints for laminate modules
129034-000		Anti-slide kit for laminates
136201-040	136201-940	Middle clamp kit for frames up to 40 mm
136201-052	136201-952	Middle clamp kit for frames up to 52 mm
122002-006		Middle clamp profile 6 m
136101-0xx	136101-9xx	Frame end clamp compiled for XX mm kit
136202-012	136202-912	Middle clamp kit for laminates up to 12 mm
136202-022		Middle clamp kit for laminates up to 22 mm
136004-001	136004-901	End clamps Laminate 6 and 8 mm kit
129035-000		Sealing underlayment form piece For the mounting of the profile (rail) on the roof covering
943000-004		Sealing screw 4.9x35 for wooden substructure
943000-002		Sealing screw 6.5x50 for wooden substructure



FixZ-7 and FixZ-15

System-related components

FixZ-7 and FixZ-15 overview

The simple additional inclination



Assembly diagram

Anodized in black on request!

FixZ-7 system rail top



Mechanical connection

At the top: M8 Klick groove
At the bottom: M10 screw duct

Width	Height
40 mm	130 mm

121001-001	Custom cut
121001-004	4.0 m
121001-006	6.0 m
121001-06200	6.2 m



FixZ-7 bottom system rail

Mechanical connection

At the top: M8 Klick groove
At the bottom: M10 screw duct

Width	Height
40 mm	51 mm

121002-001	Custom cut
121002-004	4.0 m
121002-006	6.0 m
121002-06200	6.2 m



129002-002 Connector E, pre-assembled

For application on the top and at the bottom!



FixZ-15 top system rail

Mechanical connection

At the top: M8 Klick groove
At the bottom: M10 screw duct

Width	Height
40 mm	262 mm

121003-001 Custom cut

121003-004 4.0 m

121003-006 6.0 m

121003-06200 6.2 m



FixZ-15 bottom system rail 20

Clamping area approx. 20% of the module height

Mechanical connection

At the top: M8 Klick groove
At the bottom: M10 screw duct

Width	Height
40 mm	76 mm

121004-001 Custom cut

121004-004 4.0 m

121004-006 6.0 m

121004-06200 6.2 m



FixZ-15 bottom system rail 25

Clamping area approx 25% of the module height

Mechanical connection

At the top: M8 Klick groove
At the bottom: M10 screw duct

Width	Height
40 mm	103 mm

121005-001 Custom cut

121005-004 4.0 m

121005-006 6.0 m

121005-06200 6.2 m



129002-002 Connector E, pre-assembled

To be used at the top and at the bottom!

129019-001 Additional connector kit for FixZ-15 top

To be bolted to the rail (profile)!

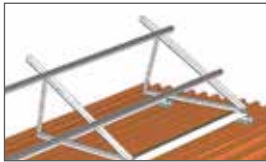
FLAT ROOF SYSTEMS

Our range of flat roof systems:

Supports and accessories

Flat roof systems

Flat roof systems



Application example

Flat roof systems

With all fastening systems for solar plants on flat roofs, a diagonal bracing of the supports can be recommendable depending on the substructure. These bracings can be added by the customer or can be ordered specifically with the system if required! Custom dimensions, fastening angles etc. on request.

Mounting beam

base rail



Series07



Flex Console



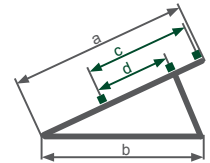
Light U



Prof U



Supports, 30 degrees
other angles available on request



Flat roof support Light U (30 degrees, alu, bolted)

07 series	Module height	a	b	c	d
150001-100	approx. 1000 mm	965 mm	841 mm	530 mm	360 mm
150001-130	approx. 1300 mm	1195 mm	995 mm	850 mm	600 mm
150001-150	approx. 1500 mm	1445 mm	1390 mm	960 mm	690 mm



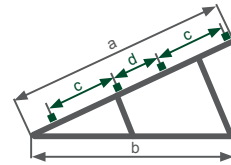
Flat roof support Light U (30 degrees, alu, bolted)

Flex Console	Module height	a	b	c	d
150101-100	approx. 1000 mm	965 mm	841 mm	530 mm	360 mm
150101-130	approx. 1300 mm	1195 mm	995 mm	850 mm	600 mm
150101-150	approx. 1500 mm	1445 mm	1390 mm	960 mm	690 mm



Flat roof support Prof U (30 degrees, alu, bolted)

07 series	Module height	a	b	c	d
151001-150	approx. 1500 mm	1445 mm	1390 mm	960 mm	690 mm
151001-180	approx. 1800 mm	1815 mm	1800 mm	--	990 mm



Flat roof support Profi U (30 degrees, alu. bolted)

07 series	Module height	a	b	c	d
151001-220	approx. 2200 mm	2200 mm	1995 mm	747 mm	460 mm



Flat roof support XL (30 degrees, aluminium, screwed)

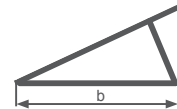
07 series	Module height	a	b	c	d
155001-300	approx. 3000 mm	2995 mm	2795 mm	1000 mm	700 mm
155001-320	approx. 3200 mm	3195 mm	2795 mm	approx. 1080 mm	733 mm
155001-360*	approx. 3600 mm	3595 mm	3495 mm	variable drill-hole	

3-row arrangement possible



Flat roof support FlexXXL (Alu, bolted)

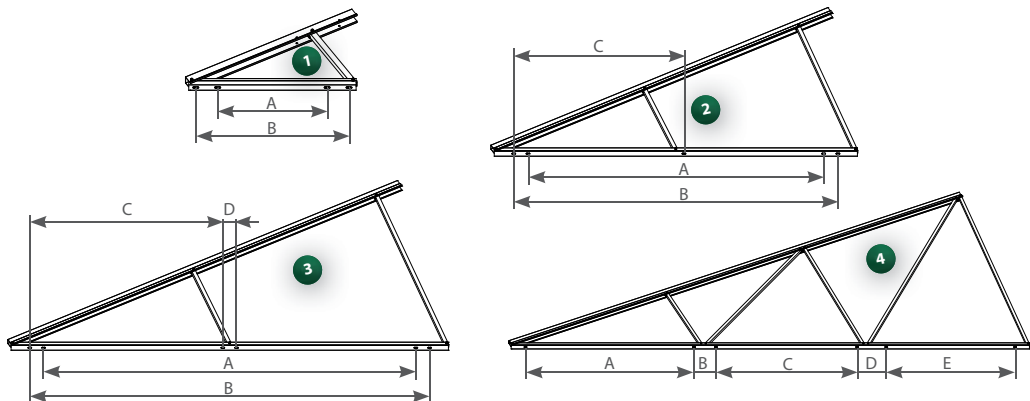
Flex Console	Module height	Inclination	a	b
155102-001	approx. 5400 mm	15 degrees	5205 mm	5430 mm
155102-002	approx. 5400 mm	20 degrees	5205 mm	5430 mm



Hole spacing in mm

Module height approx.	1000	1300	1500	1800	2200	3000/3200	3600	5400
Base rail (b)	841	995	1390	1800	1995	2795	3495	5430
Dimensioned drawing	1	1	1	1	1	2	3	4
A	537	635	940	1350	1525	2275	2975	1765
B	757	855	1160	1570	1715	2495	3195	230
C						1310	1543	1480
D							110	305
E								1350

The slotted holes in the base rail allow a mounting tolerance of +/- 8 mm.



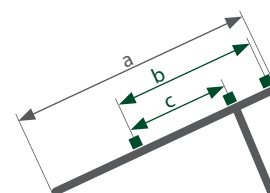
Supports and accessories

Flat roof systems



Upper support components for application with systems incorporating continuous beams

So-named fittings kits must be considered when compiling and ordering systems.



Flat roof support upper part Light

07 series	Module height	a	b	c
150003-000	approx. 1000 mm	965 mm	530 mm	360 mm
150003-001	approx. 1300 mm	1195 mm	850 mm	600 mm
150003-002	approx. 1500 mm	1445 mm	960 mm	690 mm



Flat roof support upper part Light

Flex Console	Module height	a	b	c
150103-000	approx. 1000 mm	965 mm	530 mm	360 mm
150103-001	approx. 1300 mm	1195 mm	850 mm	600 mm
150103-002	approx. 1500 mm	1445 mm	960 mm	690 mm



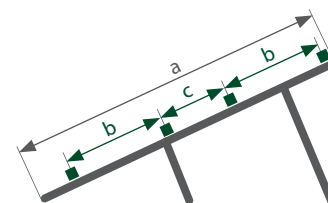
Flat roof support upper part Profi

07 series	Module height	a	b	c
151003-000	approx. 1500 mm	1445 mm	960 mm	690 mm



Flat roof support upper part Profi

Flex Console	Module height	a	b	c
151103-000	approx. 1500 mm	1445 mm	960 mm	690 mm



Flat roof support upper part Profi

07 series	Module height	a	b	c
151003-001	approx. 2200 mm	2200 mm	747 mm	460 mm



Flat roof support upper part Profi

Flex Console	Module height	a	b	c
151103-001	approx. 2200 mm	2200 mm	747 mm	460 mm

Auxiliary equipment / accessories

So-named fittings kits must be considered when compiling and ordering systems.



159000-002 Fastening kit 07 for CompactVario, basic
for mounting support upper parts to the bottom beam

Non-coated aluminium Anodized in black



129004-000 **129004-900** KlickTop cross connector kit M8
With bolt, Klick and square nut
for Klicknut M8 for cross rail system
[➔ GridNorm product sheet](#)



129063-000 **129063-900** Rapid cross connector
Completely pre-assembled for Klick groove
M8 for cross rail system
[➔ Product sheet Rapid cross connector](#)

Windsafe (project-specific)

Rear-wall covering for inclined photovoltaic plants to minimize wind loads. Also available in **black** on request.



164160-180 Windsafe Vario Alu 160x1830 mm

164250-180 Windsafe Vario Alu 250x1830 mm

164500-180 Windsafe Vario Alu 500x1830 mm

164160-200 Windsafe Vario Alu 160x2030 mm

164250-200 Windsafe Vario Alu 250x2030 mm

164500-200 Windsafe Vario Alu 500x2030 mm

164160-220 Windsafe Vario Alu 160x2230 mm

164250-220 Windsafe Vario Alu 250x2230 mm

164500-220 Windsafe Vario Alu 500x2230 mm

Supports and accessories

Flat roof systems



159000-150 Tens. strut 1500 mm kit diagonal bracing

Length approx. 1.5 m

159000-200 Tens. strut 2000 mm kit diagonal bracing

Length approx. 2.0 m

159000-250 Tens. strut 2500 mm kit diagonal bracing

Length approx. 2.5 m

159000-300 Tens. strut 3000 mm kit diagonal bracing

Length approx. 3.0 m

159000-400 Tens. strut 4000 mm kit diagonal bracing

Length approx. 4.0 m

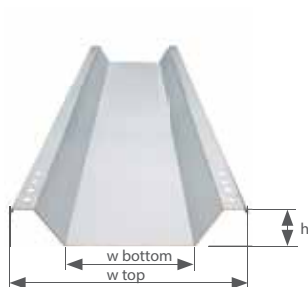
Kit with self-drilling screws

Loading (superimposed loads)

SolTub (Alu tray system
for gravel loading)

Gravel tray: Standard length 2.2 m

	w bottom	w top	h
SolTub S	227 mm	428 mm	77 mm
SolTub L	332 mm	588 mm	130 mm



161001-000 SolTub S Gravel tray

For 36kg pro m, 2.2 m (small)

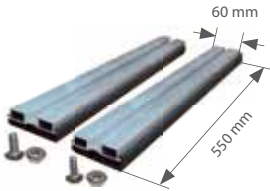
161002-000 SolTub L Gravel tray

For 92kg pro m, 2.2 m (large)

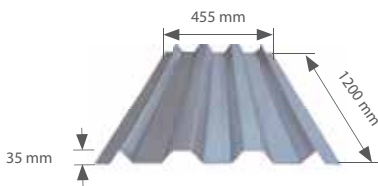
161001-001 SolTub S End covering

161002-001 SolTub L End covering

161004-000 SolTub hole reinforcement device



159000-007 Concrete block loading kit, Alu
for loading with concrete slabs or the like
- in pairs incl. 2 screw kits



160002-001 SolRack Alu (1 plate)
Material thickness: 1 mm
Surface area: 0.55 m²

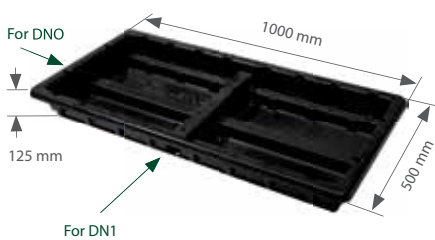
SolRack accessories

(order 2 pieces for each plate!)

943610-025 Bolt M10x25 hex. head DIN933 A2 GMB

943922-010 Underlay plate large M10 DIN9021 A2

943912-010 Serrated flange nut M10 DIN6923 A4



162001-000 Sol Cube kit
Compatible with all designs, for loading with
gravel or with concrete slabs,
incl. screw kit for fastening

162001-001 Sol Cube (no accessories)



169004-001 Surface protection mat 1 m x 10 m, 6 mm
with aluminium lamination

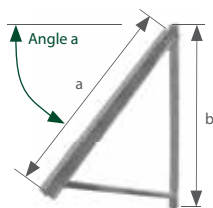
Supports and accessories

Flat roof systems

Special supports

Facade support with 15, 20, 25 [...5°-steps], 70, 75 degrees

To select the support angle (angle a), please specify the module inclination to the horizontal - aluminium, screwed



Facade support

		Module height	a	b
156001-100	Light 10	about 0.8-1.0 m	820 mm	840 mm
156001-130	Light 13	about 1.0-1.3 m	1050 mm	1050 mm
156001-160	Light 16	about 1.3-1.6 m	1285 mm	1260 mm
156002-160	Profi 16	about 1.3-1.6 m	1285 mm	1260 mm



Vegetated-roof support for modules of up to 1.6 m at 15, 20, 25, 30 degrees

Please specify the desired inclination!

Aluminium, screwed, about 0.4 m clearance

Length of the module angle: approx. 1.5 m

Suitable accessories: as for support Profi

152001-000 Vegetated-roof support for modules of up to 1.6 m

FixGrid (project-specific)

FixGrid is a system optimized regarding material and tools. The modules are mounted in closed rows with an inclination angle of 6° respectively 13°. The system only requires minimal superimposed loads. The components are interconnected using the Schletter Klick system.

➔ [FixGrid product sheet](#)



AluGrid (project-specific)

The tilted system with continuous beam and a permanent inclination angle of 15° or alternatively 10° with minimal superimposed loads. The components are interconnected using the AluGrid Klick system. Modules are mounted and fastened to the substructure using screwless (spring clamps).

➔ [AluGrid brochure](#)

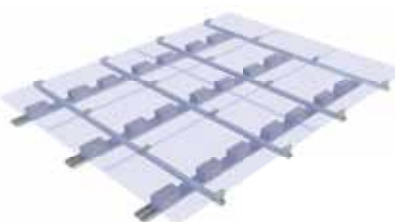


FlatGrid (project-specific)

FlatGrid is a cost-efficient system for slightly inclined flat roofs.

It has been developed for mounting solar modules parallel to the roof without roof perforations. The opposing parts of the solar plants are connected over the ridge which impedes sliding-off.

➔ [FlatGrid product sheet](#)



SPECIAL RAILS

Our range of special rails (profiles):

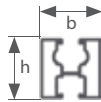
DN rail series

DN rails series

Special rails (profiles)

Available lengths

m	inches
6	236
and customized lengths	



Rail series DN Overview

Double groove rails with different span widths span widths as load distribution beams and continuous beams for the different systems, for example cross rail mounting, CompactVario, CompactGrid
Optimal combination potential with the well-proven Klick-system.

Anodized in black on request!



DN0 mounting beam

Mechanical connection

At the top: Klick groove M10
At the bottom: M10 screw duct

Width	Height
40 mm	40 mm

123001-001 Custom cut

123001-006 6 m



DN1 mounting beam

Mechanical connection

At the top: Klick groove M10
At the bottom: M10 screw duct

Width	Height
40 mm	80 mm

123002-001 Custom cut

123002-006 6 m



DN2.5 mounting beam

Mechanical connection

At the top: Klick groove M10
At the bottom: M10 screw duct

Width	Height
50 mm	110 mm

123004-001 Custom cut

123004-006 6 m



DN3 mounting beam

Mechanical connection

At the top: Klick groove M10
 At the bottom: M10 screw duct

Width	Height
80 mm	120 mm

123005-001 Custom cut

123005-006 6 m

Accessories for DN rail series



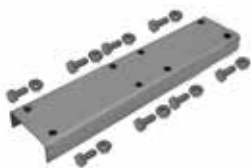
129025-000 Connector kit for DN0 DN1 rail
 incl. bolts and nuts



129006-000 Insertion connector kit for DN1
 incl. safety screws



129029-000 Insertion connector kit for DN 2.5
 incl. safety screws



129030-000 Connector rail kit for DN3
 incl. bolts and nuts



129023-000 Dowel clamp for DN0/Solo05
 for special applications

129024-000 Dowel clamp for DN1
 for special applications



129004-001 KlickTop cross connector kit M10
 with bolt, Klick and square nut for Klick groove M10
 suitable for DN0 and DN1

➔ [Product Sheet GridNorm](#)

DN profile series

Special profiles

Technical data

Material	Bolts: Quality steel 1.4301; rails: EN AW 6063 T66 / AlMgSi0.7 Sheet metal components: High-grade steel 1.4301
Planning aid	Configuration and structural dimensioning with the AutoCalculator Easy and the Schletter Configurator.
Structural analysis	Structural analysis according to the current national standards standards (in Germany EN 1991, EC1). Appendices for dimensioning the number of required fastening points, based on structural analysis. Always observe the structural analysis information. The structural verification of the adhesive forces of a roof to the substructure is not included in any of the general structural analysis appendices!

Further information at: www.schletter.eu

LARGE PROJECTS

SystemFS, Solar tracker, PvMax3, Park@Sol, IsoTop

Large projects



Large projects

SystemFS, Solar tracker, PvMax3, Park@Sol, IsoTop

Large projects are individually calculated and are compiled in-house prior to dispatch. We are looking forward to your inquiry!



Ground-mounted solar plants

Each FS system for ground-mounted solar plants is custom-designed for the respective location. Apart from the pile-driving technology, we also provide the PvMax3 system which is a system for concrete foundations.

The solar tracker designed by Schletter is a tracker system that can be pivoted around its horizontal north-south axis. The rotational axis allows optimum area utilization.

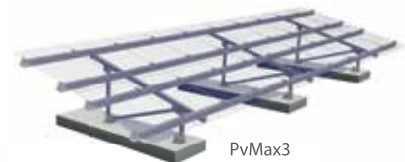
- ➔ Product sheets FS / TerraGrid / PvMax3
- ➔ Product sheets FS Track-2
- ➔ Brochure of ground-mounted systems



FS Uno



FS Duo



PvMax3



FS Track-2

Carports - Park@Sol

Parking lots with solar carports are an ideal completion for large-scale generation and use of solar power.

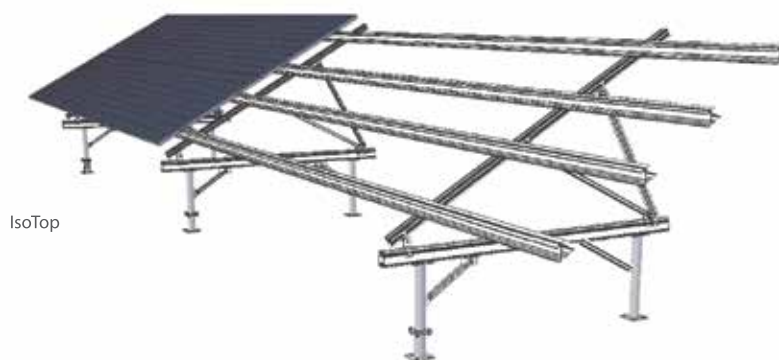
➔ [Product sheet Park@Sol](#)



Membrane roofs of industrial buildings – IsoTop

The substructure of membrane roofs of industrial buildings generally has very large distances between girders. The IsoTop system with support distances of up to 10m allows for project-specific solutions requiring no additional loading onto the roof covering.

➔ [IsoTop Product sheet](#)



AUXILIARY EQUIPMENT / ACCESSORIES

Fasteners

Cable routing

Other

Fasteners

Accessories

Fasteners



Hexagon head screw, VA

- 943608-025** M8x25
- 943610-020** M10x20
- 943610-025** M10x25
- 943610-030** M10x30
- 943610-035** M10x35
- 943610-040** M10x40
- 943610-090** M10x90
- 943610-100** M10x100



Hexagon head screw, VA

- 943410-025** M10x25



Carriage bolt, VA

- 943510-025** M10x25



Serrated flange nut with integrated anti-twist device in the flange, VA

- 943912-008** M8
- 943912-010** M10
- 943912-012** M12



Hexagon nut, VA

943916-010 M10



Washer, VA

943921-008 M8

943921-010 M10

943921-012 M12



Large washer, VA

943922-008 M8

943922-010 M10

943922-012 M12



Hexagon socket head screw

943308-120 M8x20 with serrated flange

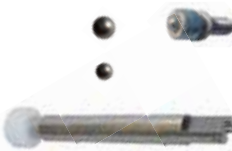
943308-125 M8x25 with serrated flange

943308-130 M8x30 with serrated flange

943308-135 M8x35 with serrated flange

943308-040 M8x40

943308-055 M8x55



Anti-theft device

943000-034 SecuFix anti-theft device for hexagon socket head screw M8

182003-000 SecuFix steel ball for TX T40 5 mm (Rapid)

This is simply hammered into the socket head!

182001-000 SecuFix hammering device for 6 mm hexagon socket head screw

182001-001 SecuFix hammering device für TX-40 5 mm

Fasteners

Accessories



943914-008 Square nut M8, V4A

Compatible with all Schletter system rails in combination with Klick groove and KlickIn click components



129010-008 KlickIn click component M8

For a simplified insertion of the square nut M8 at any point of the Klick groove M8



943914-010 Square nut M10, V4A

943914-108 Special square nut M8, V4A (design as with M10)

Compatible with all Schletter system rails, can be combined with Klick groove M10 and KlickIn click components



129010-001 M10 KlickIn click component

For a simplified insertion of the M10 square nut at any point of the M10 Klick groove



Self-locking nut, V4A

943911-008 M8

943911-010 M10

943911-012 M12

Locking washer, VA

943931-010 M10

Self-tapping thread screw

for steel up to 2 mm

943765-050 6.5x50

943765-075 6.5x75

943765-100 6.5x100

943765-125 6.5x125

943765-150 6.5x150

943765-200 6.5x200



for steel with a thickness of at least 1.5 mm

943718-064 8x64

943718-100 8x100

943718-125 8x125

943718-150 8x150

943718-200 8x200



Drilling screws with seal

943755-925 5.5x25 self drilling JT3-2 A2 (for example for connectors)

943000-360 6.0x25 self-tapping A2

943000-700 JF3-2- 5.5x25 E16 A2

943772-019 Repair screw 7.2x19 self-tapping FAB A-A A2



EPDM-rubber inlay 3 mm self-adhesive, 10m-roll, UV-resistant

for example for clamps for trapezoidal sheet metal, or for laminate modules.

973000-013 25 mm wide

973000-014 48 mm wide

973000-015 80 mm wide



Grounding and lightning protection

135003-000 Lightning protection clamp for 8 mm

Alu completely pre-assembled (for wire diameter 8 mm)



135003-002 M8 high-grade steel grounding and lightning protection clamp

Edge clamping area 8-10 mm; connection one/multi-wire 4-50 mm²

Fasteners

Accessories

Wood screw

We recommend at least 80 mm for non-boarded roofs, and for roofs with boarding and counter battens at least 120 mm!



Wood screw VA (high-grade steel)

943108-080 8x80

943108-100 8x100

943108-120 8x120

943108-150 8x150

943108-200 8x200

discontinued!



Galvanized wood screw

942108-080 8x80

942108-100 8x100

942108-120 8x120

942108-150 8x150

942108-200 8x200

discontinued!



High-grade steel wafer-head wood screw

943208-080 8x80

943208-100 8x100

943208-120 8x120

943208-160 8x160

943208-200 8x200

943208-240 8x240

943208-260 8x260

943208-300 8x300

943208-340 8x340

943208-360 8x360

943208-400 8x400

High-grade steel double-thread wafer-head wood screw

for example for Iso07

943001-040 8x240

943001-041 8x300

943001-042 8x360



Galvanized wafer-head wood screw

942208-080 8x80

942208-100 8x100

942208-120 8x120

942208-160 8x160

942208-200 8x200

942208-240 8x240

942208-260 8x260

942208-300 8x300

942208-340 8x340

942208-360 8x360

942208-400 8x400

discontinued!

Gasket for wafer-head screws



119016-000 dm 8 EPDM

Galvanized countersunk wood screw

for example for Iso07

942000-688 8x260

942000-689 8x340

942000-690 8x400

Tools

195000-002 Bit for TX T40

For wafer-head wood screws, compatible with Rapid²⁺ and newer systems

990000-211 Coupling shank with magnet

compatible with TX T40 bit, Length: 200 mm

195000-001 Ratchet wrench size15

Compatible with flange nut M10

195000-018 Core drill 17 mm

195000-019 Core drill 21 mm



Cable routing

Cable fasteners made of UV and temperature resistant plastic



129012-010 Prokclip2000-B

Profiles/rails	Systems	Number of cables
BF girder, T girder, Klick or screw channel M10	FS System (all designs), IsoTop, PvMax3, special projects	about 2*



129005-000 Prokclip-C

Profiles/rails	Systems	Number of cables
Module-bearing rails Solo05, Profi05 and SoloLight	GridNorm, special projects	about 7*



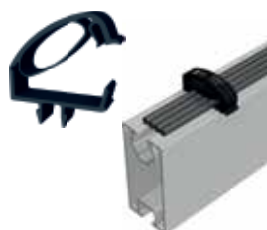
129012-008 Prokclip-S

Profiles/rails	Systems	Number of cables
Klick or screw channel M8, module-bearing rails S, module-bearing rails Solo05, Profi05, ProfiPlus05 and Eco05, FixZ-7, FixZ-15, AluGrid100 support and AluGrid Windsafe sheets	AluGrid (all systems), FixZ-7, FixZ-15, FS system, carport, special projects	about 3*



129065-008 Prokclip-Multi 8

Profiles/rails	Systems	Number of cables
Klick or screw channel M8, module-bearing rail S, module-bearing rail Solo05, Profi05, ProfiPlus05 and Eco05, FixZ-7, FixZ-15, AluGrid100 support and AluGrid Windsafe sheets	AluGrid (all systems), FixZ-7, FixZ-15, FS system, carport, special projects	about 6*



129065-010 Prokclip-Multi 10

Profiles/rails	Systems	Number of cables
BF girder, T girder, Klick or screw channel M10	IsoTop, PvMax3, System FS (all designs), special projects	about 6*

*assuming 6 mm diameter cables with a core of 6 mm²



129065-000 Proklip-Multi C

Profiles/rails	Systems	Number of cables
Solo05, Profi05, SoloLight	GridNorm, special projects	about 6*

129012-004 Proklip-U

Profiles/rails	Systems	Number of cables
---	AluGrid, special projects	about 3*

129042-001 Proklip-F

Profiles/rails	Systems	Number of cables
FG foundation posts 6, 7 and 8	System FS, FS-In, FSII, FS100, FS Vario, Carport R1, FS steel system	for cable conduits up to a diameter of 30.5 mm

129012-001 Proklip-Q

Profiles/rails	Systems	Number of cables
FS-In 40, Carport lay-in, module-bearing rail S, Optibond module-bearing profile	FS, FS-In, IsoTop, PvMax3, Carport, Special projects	---

129012-002 Proklip2000-P

Profiles/rails	Systems	Number of cables
FS lay-in 40 module-bearing rails, S module-bearing rails	FS System, FS-In, IsoTop, PvMax3, Carport, Special projects	about 2*

129065-001 Proklip-Multi 10S

Profiles/rails	Systems	Number of cables
Module Roof-In, Solo05, Profi05, Solo-Light and screw channel M10	Roof-In	about 4*

149023-001 Cable fastening retainer 1.0 - 3.0 mm, guidance at the top

Fastening to edges with a width from 1.0 to 3.0 mm, cable retainer length: 200 mm

149023-002 Cable fastening retainer 1.0 - 3.0 mm, guidance at the side

Fastening to edges with a width from 1.0 to 3.0 mm, cable retainer length: 200 mm

149023-003 Cable fastening retainer 3.0 - 6.0 mm

Fastening to edges with a width from 3.0 to 6.0 mm, cable retainer length: 200 mm

*assuming 6 mm diameter cables with a core of 6 mm²

Cable guidance

Accessories

Cable guidance MaxK

The cable duct system for flexible fastening of string cablings.

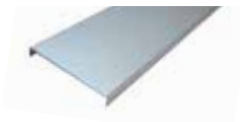


Assembly diagram



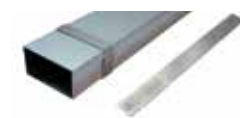
129013-000 Cable duct MaxK, loose, 80x40x3000 mm

129013-001 Cable duct MaxK, loose, 120x40x3000 mm

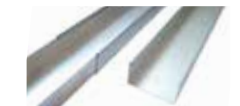


129014-002 Cable duct cover MaxK 80x3000 for MaxK 129013-000

129014-005 Cable duct cover MaxK 120x3000 for MaxK 129013-001



129015-000 Lid clip MaxK cable duct 80 or 120



129016-000 Slide connector MaxK cable duct 80

129016-001 Slide connector MaxK cable duct 120



129073-000 Angle for MaxK cable duct 80

129073-001 Angle for MaxK cable duct 120

See assembly diagram above

Other Accessories

Other

Brochures and software

You will always find current brochures, product sheets, mounting instructions and further technical information as well as software in the download area at www.schletter.eu.

If you are interested, we will gladly send you our brochures.



Trade fair display stand

approx. 1x2 m., rollable

-
- I400276GB** AluGrid

 - I400084GB** Tilted system

 - I400082GB** Ground mount

 - I400116GB** IsoTop

 - I400114GB** Park@Sol

 - I400083GB** Pitched roof

 - I400339GB** FS Track-2



Sample case

Current version

-
- 195000-004** Sample case

 - Contains examples of current Schletter mounting system products



Module stand

Module stand with metal base and wooden supports incl. fastening kit for module. Please specify module type with the order!

-
- 195000-007** Module rack, wood for 1 module

 - 195000-008** Module rack, alu for 1 module



Schletter GmbH
Alustrasse 1
83527 Kirchdorf/Haag i. OB
Germany

www.schletter.eu

Sales department

Tel.: +49 8072 9191 – 480
Fax: +49 8072 9191 – 9480
E-mail: vertriebsinnendienst@schletter.de

Technical advice and inquiries

Tel.: +49 8072 9191 – 201
Fax: +49 8072 9191 – 9201
E-mail: anfragen@schletter.de

Order processing

Tel.: +49 8072 9191 – 205
Fax: +49 8072 9191 – 9205
E-mail: bestellung@schletter.de

Logistics service

Tel.: +49 8072 9191 – 207
Fax: +49 8072 9191 – 9207
E-mail: service@schletter.de

Our members of staff are available to provide comprehensive and competent technical advice for the planning of your solar plant and to answer questions regarding logistics and order processing.